



MOUNTING INSTRUCTIONS

MEM-9884 Independent Lowers Hardware Kit for Exposed Forks 35-43mm

! WARNING

Read and follow these instructions carefully.

During installation, make certain that when turning the forks, there can be no interference with wiring or cables AND, that the windshield/hardware can not hit the gas tank, through the windshield's full range of adjustment.

This is a quick change kit, ALWAYS tighten all mounting bolts after removing or installing the windshield!

The improper installation of this kit and related components could result in serious injury or death.

CAUTION

IMPORTANT CARE AND CLEANING INSTRUCTIONS

Memphis Shades Windshields and Lowers are made of Lucite® acrylic, and will last for years with proper care. Clean your windshield with plenty of soapy water — mild dishwashing liquid is best — and a soft cotton cloth. Use your bare hand to feel and dislodge bugs, or cover with a wet soapy towel and let it soak. Don't use paper towels and don't scrape with anything. Small scratches can be removed with NOVUS # 2.

NEVER use any glass cleaning products, petroleum based chemicals, or cleaning agents with ammonia, bleach or any other harsh chemicals. This includes (but not limited to) RainX, brake fluid, acetone, paint thinner, benzene and gasoline. "If it hurts your nose, it will hurt the plastic."

Glass cleansing agents will cause severe damage to your windshield, and will void your warranty.

NOTE: At certain times of the day the Sunlight can reflect off the curvature of a windshield and cause extreme heat build-up on motorcycle instruments and instrument panel. Take care when parking. Park facing the sun, place an opaque object over the instruments or position the bike to avoid reflections.

No additional tools required, that are not included in this kit:

1. Cover gas tank and front fender with towels to avoid damage during installation.

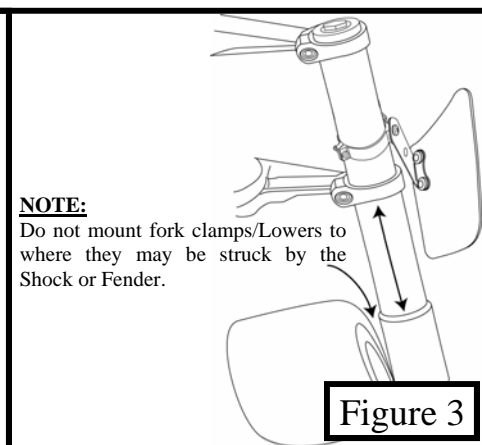
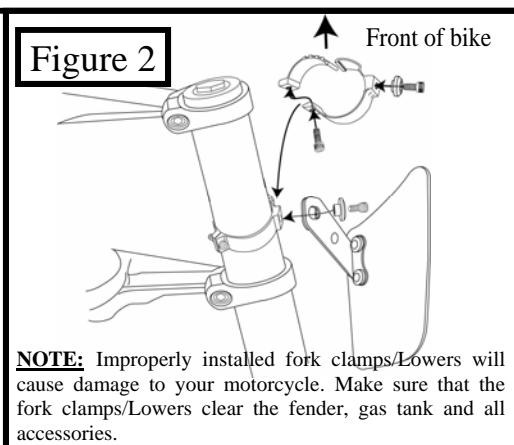
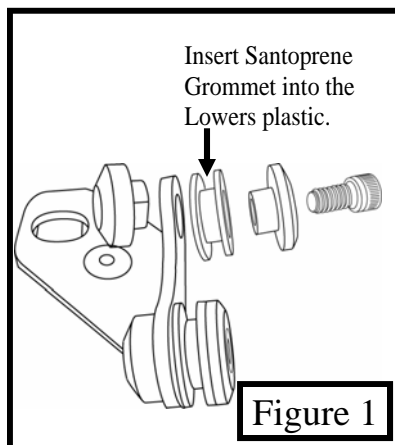
2. Attach the lowers plastic to the lowers mounting plates using the pre-assembled bolts. The Santoprene grommets should be inserted through the holes in the lowers plastic so that the flat round part of the grommet lies flat on each side of the lowers plastic. (see Figure 1)

Lowers plates can be mounted on the plastic in the up or down position to best suit your needs and application. (see figure 4)

3. Loosely install the fork clamps on each fork. Remove the anchor bolts from the fork clamps and attach the lowers to the fork clamps. (see figure 2)

4. Adjust height and angle, position and tighten all bolts.

NOTE: Improperly installed fork clamps will cause damage to your motorcycle. Before final installation make sure the Lowers and clamps will clear all fenders, radiators, oil coolers, turn signals, Gas tank and any other accessories when installed. Turn forks full left and right also apply front brake and rock the bike forward to check for proper clearance with no interference.



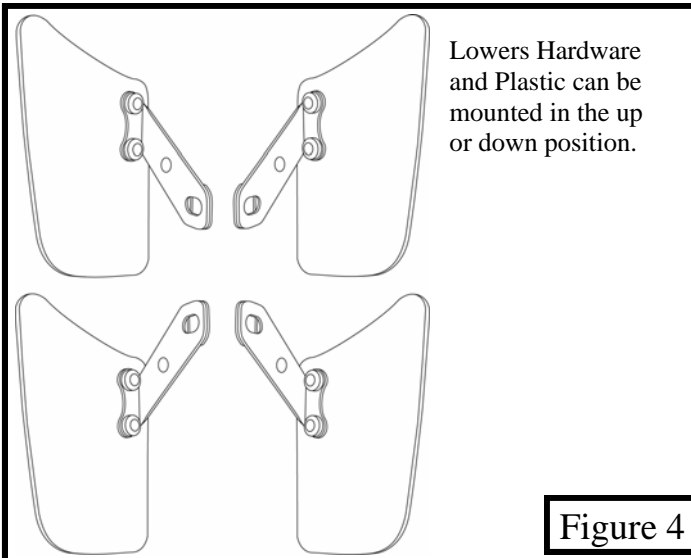


MOUNTING INSTRUCTIONS

MEM-9884 Independent Lowers Hardware Kit for Exposed Forks 35-43mm

| PART # | DESCRIPTION | QTY. |
|--------|-------------------------------|------|
| M884 | Mounting Instructions | 1 |
| S1076 | Lowers Mounting Bracket Left | 1 |
| S1077 | Lowers Mounting Bracket Right | 1 |
| M501 | Beveled Socket Washer | 4 |
| M521 | Small Outer Adjustable Clamp | 2 |
| M520 | Small Inner Adjustable Clamp | 2 |

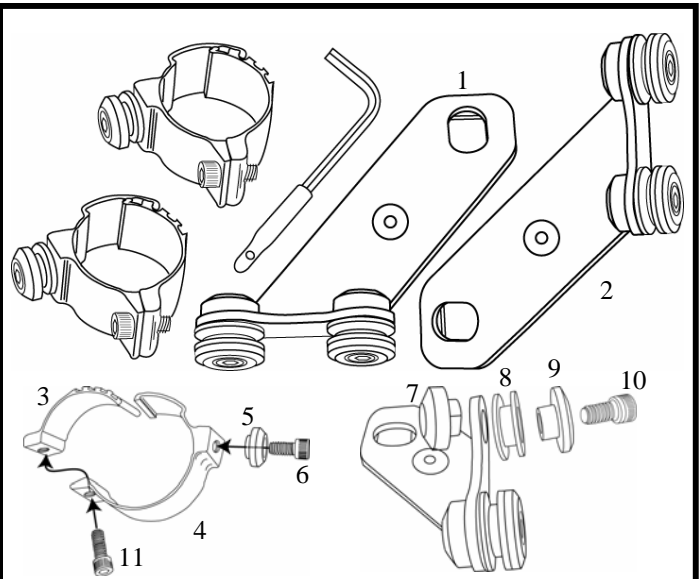
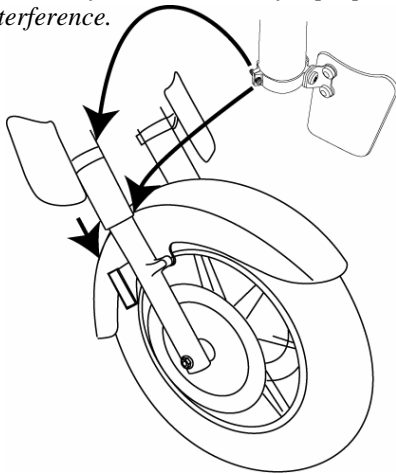
| PART # | DESCRIPTION | QTY. |
|--------|--|------|
| M302 | 1/4"- 20 x 1/2" SS Socket Head Cap Screw | 6 |
| M301 | 1/4"- 20 x 3/8" SS Socket Head Cap Screw | 2 |
| M504 | Socket Shoulder Washer | 4 |
| M543 | Santoprene Grommet | 2 |
| M505 | Button Nut | 4 |
| M310 | 3/16" Short Arm Allen Wrench | 1 |



Lowers Hardware and Plastic can be mounted in the up or down position.

Figure 4

NOTE: Improperly installed fork clamps will cause damage to your motorcycle. Before final installation make sure the Lowers and clamps will clear all fenders, radiators, oil coolers, turn signals, Gas tank and any other accessories when installed. Turn forks full left and right also apply front brake and rock the bike forward to check for proper clearance with no interference.



MEM-9884 Mounting hardware kit and tools

- | | | |
|----------|---------|----------|
| 1. S1076 | 5. M504 | 9. M504 |
| 2. S1077 | 6. M302 | 10. M302 |
| 3. M520 | 7. M505 | 11. M301 |
| 4. M521 | 8. M543 | |

Memphis Shades warrants all product components, metal and plastic, against defects in materials and workmanship for 24 months.

FOR PARTS AND WARRANTY HELP, CONTACT:

MEMPHIS SHADES
P. O. Box 429
Rossville, TN 38066
(901) 853-0293

Visit us on the web at www.memphisshades.com or you can also reach us by email: customerservice@memphisshades.com