



INSTRUCTIONS

-J04677

REV. 2008-05-08

FL SOFTAIL PASSENGER GRAB RAIL KIT

GENERAL

Kit Number

97031-09

Models

For model fitment information, see the P&A Retail Catalog or the Parts and Accessories section of www.harley-davidson.com (English only).

WARNING

The rider's safety depends upon the correct installation of this kit. Use the appropriate service manual procedures. If the procedure is not within your capabilities or you do not have the correct tools, have a Harley-Davidson dealer perform the installation. Improper installation of this kit could result in death or serious injury. (00333a)

Kit Contents

See Figure 1 and Table 1.

INSTALLATION

1. Remove seat using owner's manual instructions.
2. Remove protective caps and nuts from stud plate. Save nuts for reuse. Leave plastic washers in place.
3. Carefully position grab rail (1) over stud plate and mark with masking tape or an appropriate marker to indicate where the protective tape (2) will be placed. The protective tape should slightly overhang the edge of the grab rail base. Remove grab rail and apply protective tape to fender.
4. Install grab rail to stud plate and install nuts and tighten to 5-8 ft-lbs (6.8-10.8 Nm).

WARNING

After installing seat, pull upward on seat to be sure it is locked in position. While riding, a loose seat can shift causing loss of control, which could result in death or serious injury. (00070b)

5. Install seat.

SERVICE PARTS

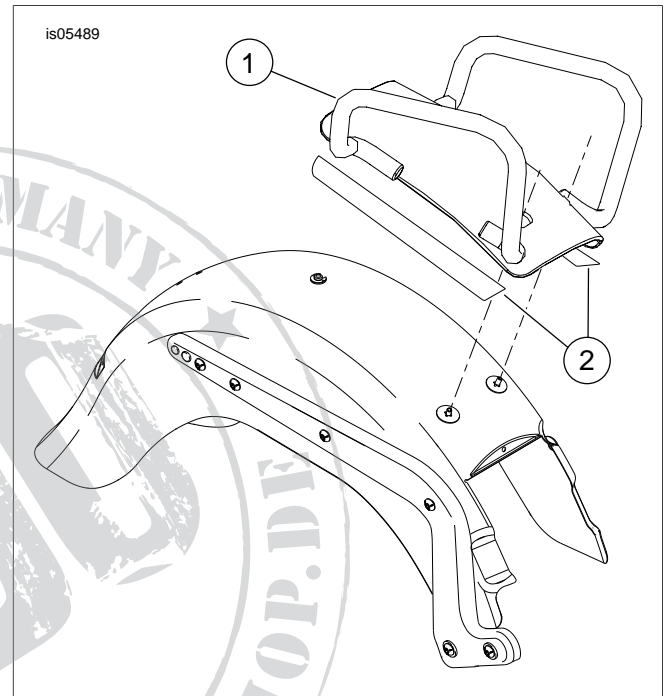


Figure 1. Service Parts: Passenger Grab Rail

Table 1. Service Parts

Item	Description (Quantity)	Part Number
1	Grab rail	Not Sold Separately
2	Protective tape (2)	59507-09