



# INSTRUCTIONS

-J02363

REV. 2007-02-16

## BILLET AIR-CLEANER SIDE-INSERT KIT

### GENERAL

#### Kit Number

97002-02, 97005-02

#### Models

For model fitment information, please see the P&A Retail Catalog or the Parts and Accessories section of [www.harley-davidson.com](http://www.harley-davidson.com) (English only).

#### Additional Parts Required

Isopropyl alcohol is required for proper installation of this kit.

### WARNING

The rider's safety depends upon the correct installation of this kit. Use the appropriate service manual procedures. If the procedure is not within your capabilities or you do not have the correct tools, have a Harley-Davidson dealer perform the installation. Improper installation of this kit could result in death or serious injury. (00333a)

#### NOTE

A Service Manual for your model motorcycle is available from a Harley-Davidson Dealer.

### Kit Contents

See Figure 1 and Table 1.

There are no Service Parts available with this kit.

### INSTALLATION

#### NOTE

If you are installing a new Chrome Billet Air Cleaner Cover kit with this kit, install the inserts from this kit instead of the inserts from the cover kit. Otherwise, install the inserts from this kit directly on top of the Chrome Billet Air Cleaner Cover kit inserts.

1. See Figure 1. Clean the insert areas (B) on the billet air cleaner (A) with isopropyl alcohol. Allow the cleaned areas to dry thoroughly.
2. Facing the air-cleaner cover from the right side of the vehicle, remove the adhesive backing from the left-side insert (1) and carefully position it on the air-cleaner cover. Apply pressure to the insert for one minute.
3. Repeat Step 2 for the right-side insert (2).

### SERVICE PARTS

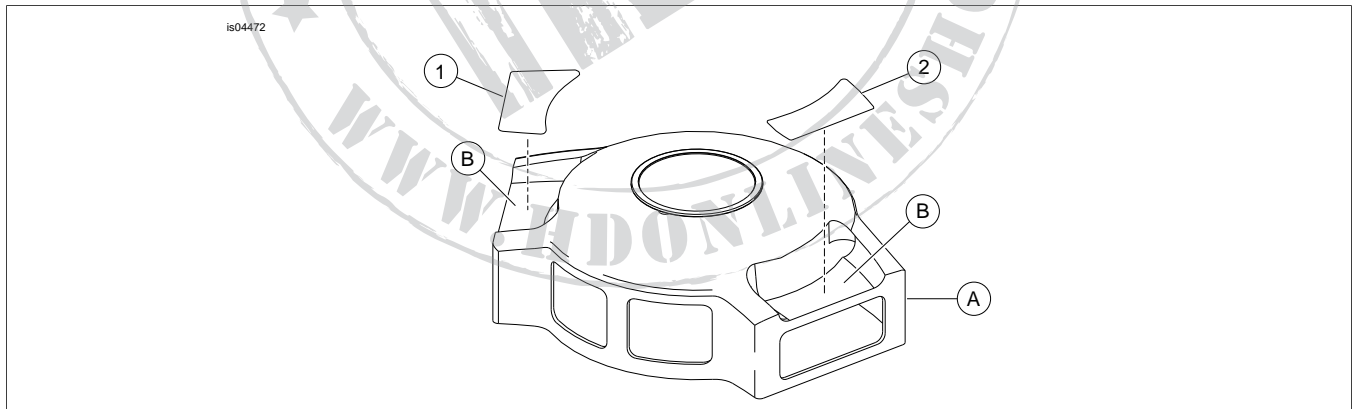


Figure 1. Service Parts: Billet Air-Cleaner Side-Insert Kit

Table 1. Service Parts

Item	Description (Quantity)	Part Number
1	Insert, left-side	Not Sold Separately
2	Insert, right-side	Not Sold Separately
<b>Items mentioned in text, but not included in kit.</b>		
A	Billet air cleaner cover, chrome	
B	Insert area	