



INSTRUCTIONS

-J01370

REV. 2-8-01

Kit Number 94753-99

CONSOLE WASHER

General

This kit is designed for installation on all 1994 and later Road King motorcycles and 1984 and later Softail tank panels with a screw mount.

Kit contents:

Description

Console washer
Screw, 3/4 in., *used on FLHR only*
Screw, 1 in., *used on Softail only*
Bar and Shield hole plug

Part Number

Not sold
Not sold
Not sold
94754-99

NOTE

All Service Parts available for this kit are listed above.

Installation

1994 and later Road King Models

1. See Figure 1. Remove the stock washer and bolt from the location shown. Discard hardware.
2. Install new console washer with 3/4 inch screw as shown.
3. Snap bar and shield hole plug into place over screw head.

1984 and later Softail Models

1. See Figure 2. Remove the stock washer and bolt from the location shown. Discard hardware.
2. Install new console washer with 1 inch screw as shown.
3. Snap bar and shield hole plug into place over screw head.

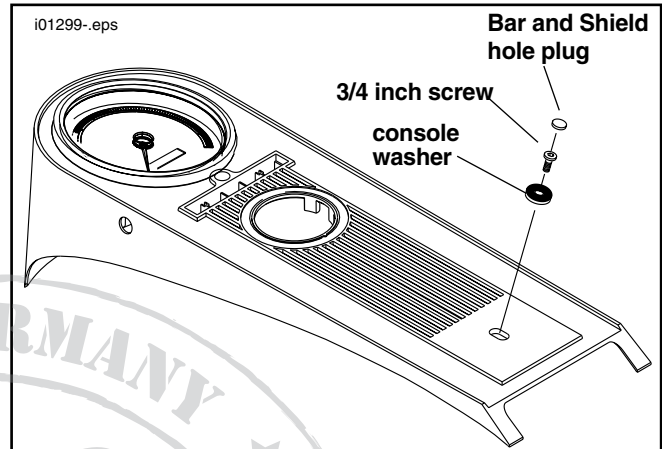


Figure 1. Installation on FLHR instrument panel

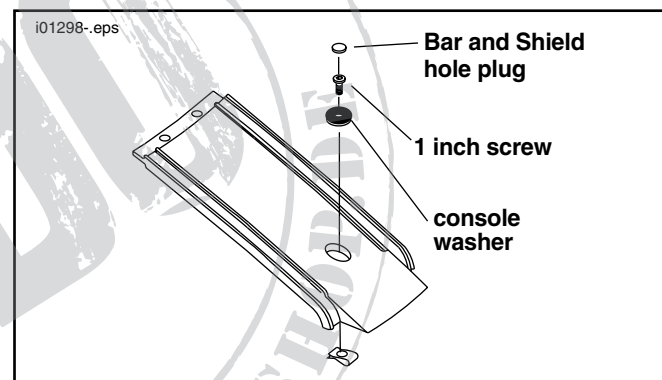


Figure 2. Installation on Softail tank panel