



INSTRUCTIONS

-J01485

REV. 2-25-99

Kit Number 94675-99

FRAME PROTECTORS FOR ALL BIG TWIN MODELS (except Twin Cam 88 Dyna models)

General

These kits are designed to fit Big Twin H-D motorcycles except Twin Cam 88 Dyna models. The kits are designed to be used in conjunction with the Harley-Davidson Motorcycle Lift (P/N 94653-98) and/or Harley-Davidson Cleaning Stand (P/N 94652-98).

This kit consists of the following components:

Qty	DESCRIPTION	PART No.
2	Protectors (rubber)	94675-99

Installation

NOTE

A Service Manual for your motorcycle is available at your Harley-Davidson Dealer.

1. Determine the area of the frame in which the protector will provide the most protection for the motorcycle frame. This may vary depending on whether you are using a Motorcycle Lift or Cleaning Stand.

NOTE

Areas to be trimmed away will vary between models and accessories which have been added. Be absolutely sure you want to trim away an area prior to cutting. Measure twice prior to cutting.

2. Install the protector to the frame rail, noting obstructions (cables, cable straps frame cross-members, ect) in which the protector will need to be trimmed to fit the frame rail snugly. Measure and mark those areas to insure accurate cuts.
3. Using an "Exacto", "Pen", or equivalent knife, trim away areas of the protector which have been measured and marked. Slip the protector on occasionally to observe the fit and determine if more trimming is necessary.
4. Figure 2 illustrates common frame rail protector location and orientation.
5. Perform steps 1 through 3 for the opposite side frame rail protector.

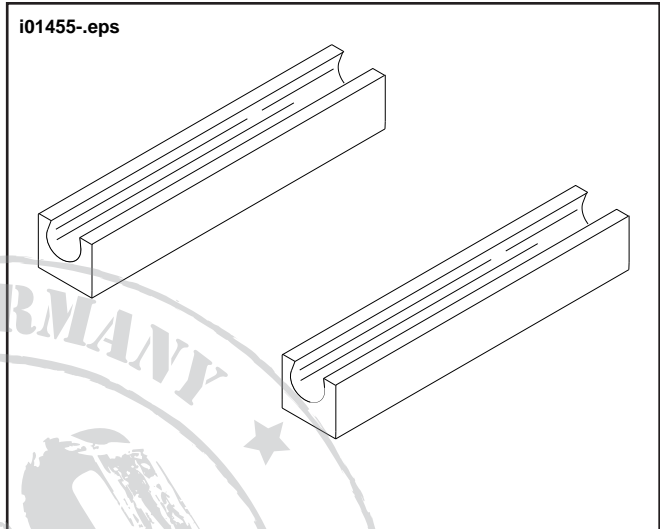


Figure 1. Frame Rail Protectors

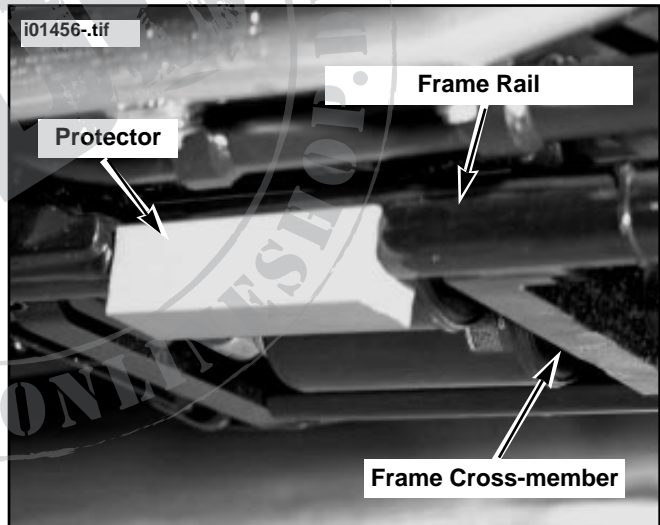


Figure 2. Frame Rail Protector Installed