



INSTRUCTIONS

-J02767

REV. 2007-07-30

ROCKER HOUSING CHROME HARDWARE KIT

GENERAL

Kit Number

94059-03

Models

For model fitment information, please see the P&A Retail Catalog or the Parts and Accessories section of www.harley-davidson.com (English only).

Additional Parts Required

WARNING

The rider's safety depends upon the correct installation of this kit. Use the appropriate service manual procedures. If the procedure is not within your capabilities or you do not have the correct tools, have a Harley-Davidson dealer perform the installation. Improper installation of this kit could result in death or serious injury. (00333a)

NOTE

This instruction sheet references Service Manual information. A Service Manual for your model motorcycle is required for this installation and is available from a Harley-Davidson Dealer.

Kit Contents

See Figure 1 and Table 1.

INSTALLATION

WARNING

To prevent accidental vehicle start-up, which could cause death or serious injury, disconnect negative (-) battery cable before proceeding. (00048a)

WARNING

Disconnect negative (-) battery cable first. If positive (+) cable should contact ground with negative (-) cable connected, the resulting sparks can cause a battery explosion, which could result in death or serious injury. (00049a)

1. Disconnect the battery, negative (-) battery cable first, following the instructions in the appropriate Service Manual
2. Follow the procedure found in the appropriate Service Manual to remove the hardware from the rocker housings.

3. Consult the appropriate Service Manual for screw locations, torque values and recommended gasket replacement.

WARNING

Connect positive (+) battery cable first. If positive (+) cable should contact ground with negative (-) cable connected, the resulting sparks can cause a battery explosion, which could result in death or serious injury. (00068a)

4. Connect the battery cables, positive (+) battery cable first, following the instructions in the appropriate Service Manual.

SERVICE PARTS

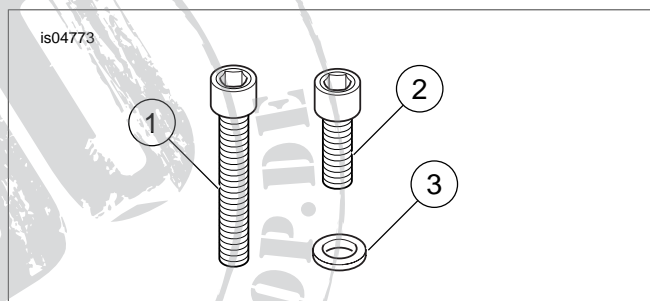


Figure 1. Service Parts: Rocker Housing Chrome Hardware Kit

Table 1. Service Parts

Item	Description (Quantity)	Part Number
1	Screw, chrome (5/16-18 x 1.75 inch) (6)	94337-91TS*
2	Screw, chrome (5/16-18 x 1.0 inch) (6)	94334-91TS*
3	Washer, chrome (12)	94064-03

NOTE

* These screws are shipped with threadlocker applied. If replacement screws are ordered separately, apply LOCTITE® 243 Threadlocker and Sealant - Blue (99642-97) to the threads before installing.