



INSTRUCTIONS

-J05743

2013-09-09

UNIVERSAL TAIL BAG

GENERAL

Kit Number

93300069A

Models

For model fitment information, see the P&A retail catalog or the Parts and Accessories section of www.harley-davidson.com (English only).

Installation Requirements

A passenger pillion is required for proper installation.

⚠ WARNING

The rider's safety depends upon the correct installation of this kit. Use the appropriate service manual procedures. If the procedure is not within your capabilities or you do not have the correct tools, have a Harley-Davidson dealer perform the installation. Improper installation of this kit could result in death or serious injury. (00333a)

NOTE

This instruction sheet refers to service manual information. A service manual for this year/model motorcycle is required for this installation. One is available from a Harley-Davidson dealer.

Kit Contents

See Figure 5 and Table 1.

⚠ WARNING

Improper loading of cargo or installation of accessories can affect motorcycle stability and handling, which could result in death or serious injury. (00121a)

- Do not put more than 4.5 kg (10 lb) in bag.
- Distribute weight evenly on both sides of vehicle. Load bulky items to front of bag.
- Make sure that cargo is secure, and cannot shift while riding. Periodically recheck load.
- Make sure that bag strap buckles are secure.
- Secure straps. Keep straps away from rear wheel.

INSTALLATION

Sportster, Dyna and Softail Models

1. See Figure 1. Install rear mounting strap (2).
 - a. Remove the rear seat mounting screw (1).
 - b. Slide the rear mounting strap (2) under the seat tab. Align with mounting hole.
 - c. Install seat mounting screw.

2. See Figure 3. Install the front tie-down (2).
 - a. Remove forward fender strut screw (1).
 - b. Slide tie-down strap (2) between the fender strut and the fender. Align with mounting hole. **Sportster® models:** Use tie-down strap with small grommets hole (Figure 5, Item 7). **Softail® and Dyna® models:** Use tie-down strap with large grommets hole (Figure 5, Item 6).
 - c. See the service manual. Install fender strut screw. Tighten to specification.
 - d. Repeat steps for the opposite side.
3. See Figure 2. Place bag on passenger pillion. Install the tail bag rear strap (3) through the strap installed in Step 1. Cinch the strap adjustment until the bag is in the desired location.
4. See Figure 3. Secure bag to front mounting locations.
 - a. Install one end of the front mounting strap to the horizontal D-ring (3) on the tail bag.
 - b. Install the other end of the strap onto the front tie-down (2).
 - c. Pull the strap until the bag is tight.
 - d. Secure extra strap length with the hook-and-loop tie-down strap (4).
 - e. Repeat steps for the opposite side.

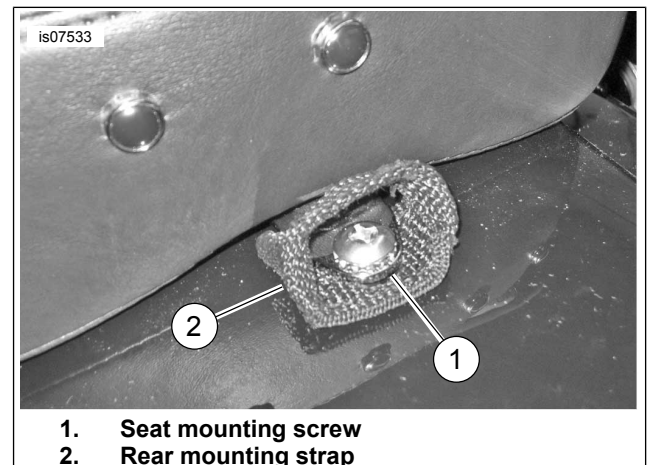
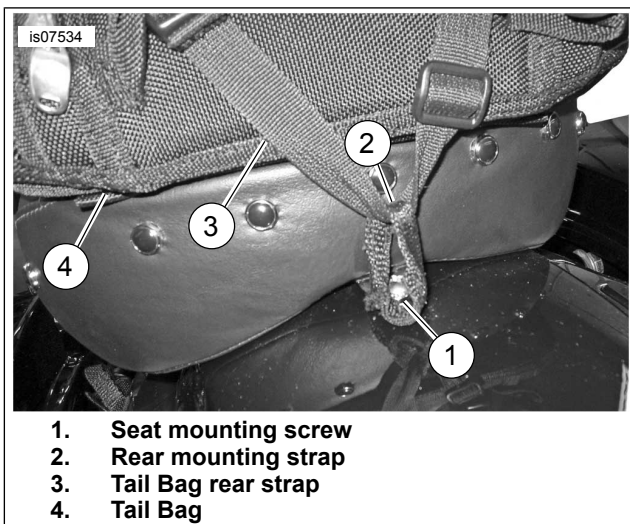
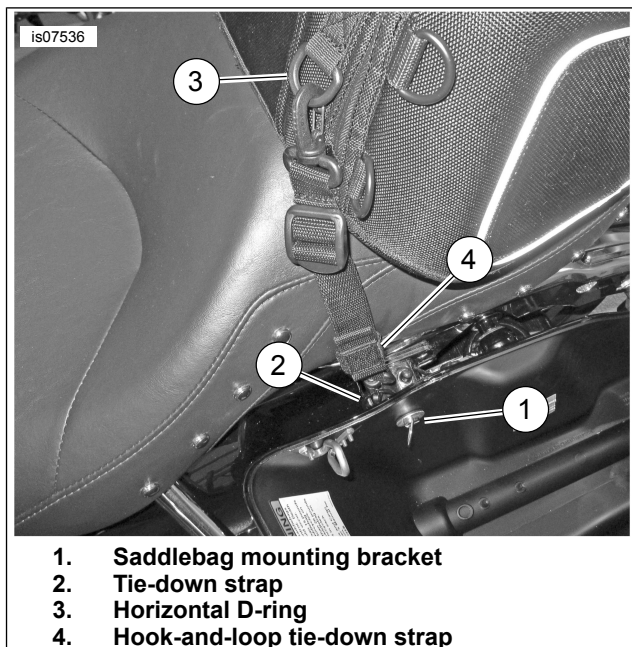


Figure 1. Rear Mounting Strap Installation



1. Seat mounting screw
2. Rear mounting strap
3. Tail Bag rear strap
4. Tail Bag

Figure 2. Tail Bag Rear Installation



1. Saddlebag mounting bracket
2. Tie-down strap
3. Horizontal D-ring
4. Hook-and-loop tie-down strap

Figure 4. Front Strap Installation (Touring)



1. Fender strut bolt
2. Tie-down strap
3. Horizontal D-ring
4. Hook-and-loop tie-down strap

Figure 3. Front Strap Installation (Sportster, Dyna, Softail)

Touring Models

1. See Figure 1. Install rear mounting strap (2).
 - a. Remove the rear seat mounting screw (1).
 - b. Slide the rear mounting strap (2) under the seat tab. Align with mounting hole.
 - c. Install seat mounting screw.
2. See Figure 4. Install the front tie-down (2).
 - a. Remove forward saddlebag mounting fastener (1).
 - b. Slide tie-down strap (2) without grommet (Figure 5, Item 8) between the saddlebag and the motorcycle. Align with saddlebag mounting holes.
 - c. Install the saddlebag fastener.
 - d. Repeat steps for the opposite side.
3. See Figure 2. Place bag on passenger pillion. Install the tail bag rear mounting strap (3) through the strap installed in Step 1. Cinch the strap adjustment until the bag is in the desired location.
4. See Figure 4. Secure bag to front mounting locations.
 - a. Install one end of the front mounting strap to the horizontal D-ring (3) on the tail bag.
 - b. Install the other end of the strap onto the tie-down (2).
 - c. Pull the strap until the bag is tight.
 - d. Secure extra strap length with the hook-and-loop tie-down strap (4).
 - e. Repeat steps for the opposite side.

SERVICE PARTS

is07537

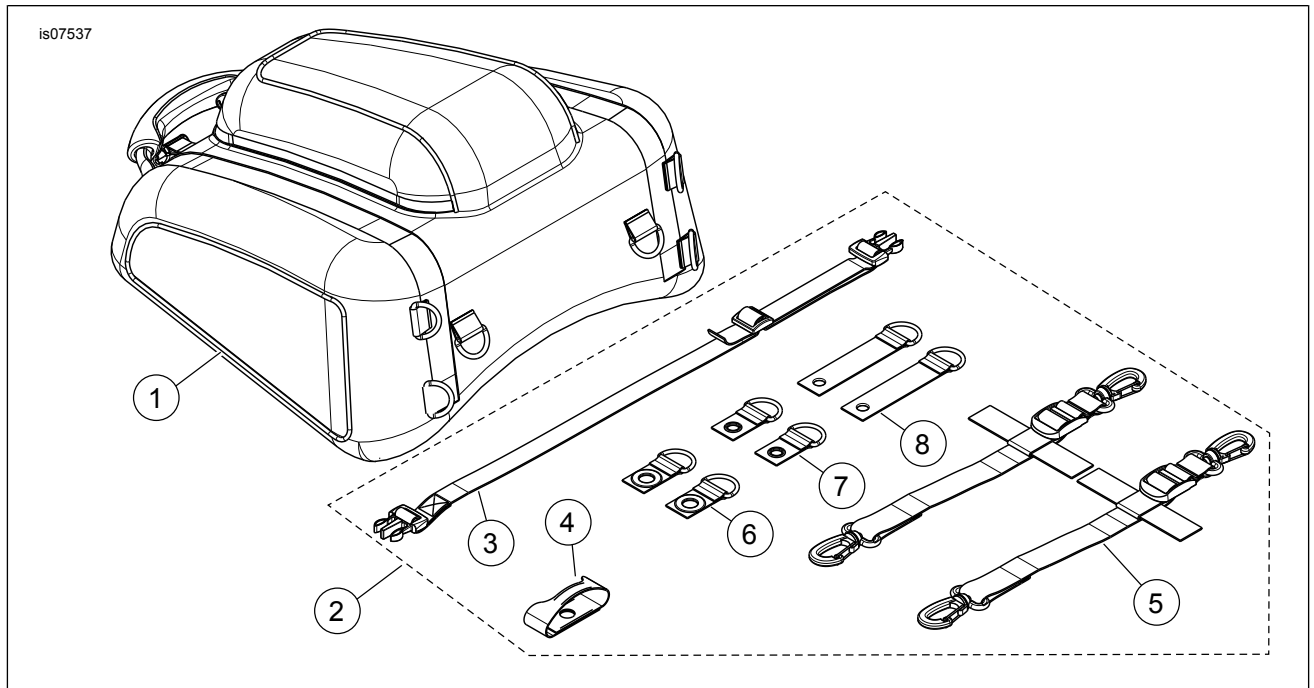


Figure 5. Service Parts: Universal Tail Bag

Table 1. Service Parts

Item	Description (Quantity)	Part Number
1	Tail bag	Not sold separately
2	Strap kit (includes items 3-8)	93300091a
3	• Rear strap	Not sold separately
4	• Rear mounting strap	Not sold separately
5	• Front mounting strap (2)	Not sold separately
6	• Tie-down strap with large diameter hole (2)	Not sold separately
7	• Tie-down strap with small diameter hole (2)	Not sold separately
8	• Tie-down strap with no grommet (2)	Not sold separately