



INSTRUCTIONS

-J05276

REV. 2010-09-09

PREMIUM LUGGAGE COLLECTION

GENERAL

Kit Number

Table 1. Kits

Models	Kits
Touring Luggage System	93300003
Touring Bag	93300004
Overnight Bag	93300005
Tour-Pak Rack Bag	93300006
Sissy Bar Backpack	93300007
Rolling Touring Bag	93300008
Collapsible Rack Bag	93300009
Premium Rider Backrest	93300010
Premium Shoulder Strap	93300014
Auxiliary Strap Kit	93300015

Models

For model fitment information, See the P&A Retail Catalog or the Parts and Accessories section of www.harley-davidson.com (English only).

Additional Parts

Separate purchase and installation of additional parts or accessories may be required for proper installation of this kit on your model motorcycle. See the P&A Retail Catalog or the Parts and Accessories section of www.harley-davidson.com (English only) for a list of required parts or accessories for your model.

A Tour-Pak rack or sissy bar upright and backrest pad are required for proper installation of luggage bags. A luggage rack is required when mounting luggage **behind** the passenger upright.

Kit Contents

A rain cover is included in the side pocket of each bag. Use the drawstring and cord lock to secure the cover around the bag.

Table 2. Kit Contents

Kit Contents:	Part Number
Adjustable Mounting Straps:	
Overnight Bag p/n 93300005 (2)	93300016
Tour-Pak Rack Bag p/n 93300006 (4)	93300011
Rain Cover:	
Sissy Bar Backpack p/n 93300007	93300026
Collapsible Rack Bag p/n 93300009	93300028
Overnight Bag p/n 93300005	93300024
Rolling Touring Bag p/n 93300008	93300027
Tour-Pak Rack Bag p/n 93300006	93300025
Touring Luggage System:	
Touring Bag p/n 93300004	93300022
Day Bag (Not Sold Separately)	93300023

INSTALLATION

Harley-Davidson cannot test and make specific recommendations regarding every accessory or combination of accessories sold, the rider must assume responsibility for safe operation of the motorcycle when installing accessories or carrying additional weight. Use the following guidelines when equipping a motorcycle or carrying passengers and cargo.

WARNING

See the Accessories and Cargo section in your owner's manual. Improper cargo loading or accessory installation can cause component failure and adversely affect stability, handling and performance, which could result in death or serious injury. (00021b)

- The bag **MUST** be installed with a mounting pocket over the passenger upright and backrest pad (except for bags mounted to a Tour-Pak luggage rack).
- When installed on a luggage rack, do not exceed the load limit of the luggage rack.
- When installed on a passenger pillion, do not exceed 25 pounds (11.4 kg) total weight of bag, contents, and attachments.
- Secure the bag straps to the rack or passenger upright to prevent bag shifting during motorcycle operation.
- Verify that all straps are secured to prevent strap contact with the rear wheel during motorcycle operation.
- See the owner's manual for recommended tire inflation pressure.

WARNING

Do not exceed the motorcycle's Gross Vehicle Weight Rating (GVWR) or Gross Axle Weight Rating (GAWR). Exceeding these weight ratings can lead to component failure and adversely affect stability, handling and performance, which could result in death or serious injury. (00016f)

- GVRW is the sum of the weight of the motorcycle, accessories, and the maximum weight of the motorcycle, accessories, and the maximum weight of the rider, passenger and cargo that can be safely carried.
- GAWR is the maximum amount of weight that can be safely carried on one axle.
- GVWR and GAWR are shown on the information plate, located on the frame downtube.

Premium Backrest Pad

1. See Figure 1. The Backrest Pad can be attached to the Rolling, Touring, or Overnight bags for added support and comfort. Attach the Backrest Pad by snapping the four clips to the bag d-rings.



Figure 1. Backrest Pad

Premium Shoulder Strap Kit

1. Hook ends of shoulder strap through large d-rings on the top of the bag.
Store the shoulder strap in the bag before operating the motorcycle.



Figure 2. Premium Shoulder Strap Kit

Auxiliary Strap Kit

1. The Auxiliary Strap Kit can be used for added stability. Hook straps through d-rings on the bag and around a fixed location on the motorcycle. Roll up and secure excess strap material using the hook and loop tabs.

Single Bag Mounting on Passenger Pillion or Luggage Rack (Touring Bag, Overnight Bag or Day Bag)

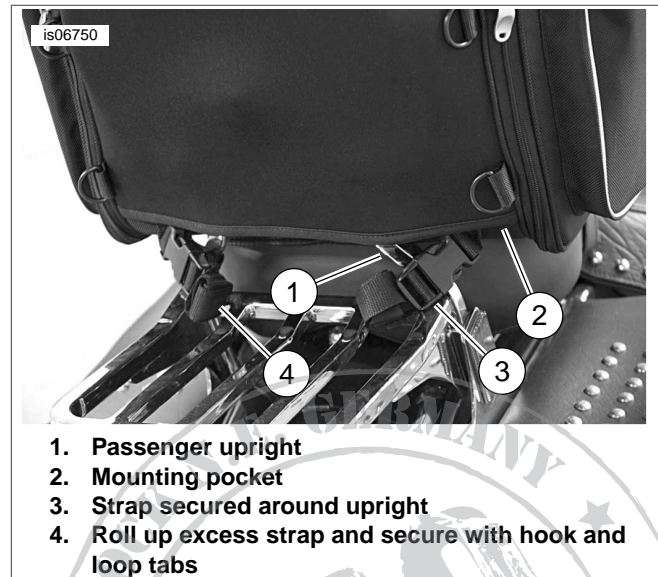


Figure 3. Fasten Bag to Passenger Upright

NOTE

A luggage rack is required when mounting luggage **behind** the passenger upright.

1. See Figure 3. Slide the mounting pocket on the bag over the front of the passenger upright and backrest pad.
2. Wrap the straps at the bottom of the bag around the passenger upright tubes. Connect the buckle halves as shown, then pull the straps tight to secure the bag to the motorcycle.
3. Check that the bag is securely fastened to the motorcycle.

4. Roll up and secure any excess strap material using the hook and loop tabs to prevent the straps from contacting the rear wheel, or scratching or scuffing painted surfaces.
5. See Figure 4. The Overnight Bag can also be attached to a Touring rack using the four straps attached to the corners of the rack.



Figure 4. Overnight Bag Attached to Rack



Figure 5. Connecting the D-Rings

Mounting a Second Bag (Overnight or Day Bag) to the Motorcycle

NOTE

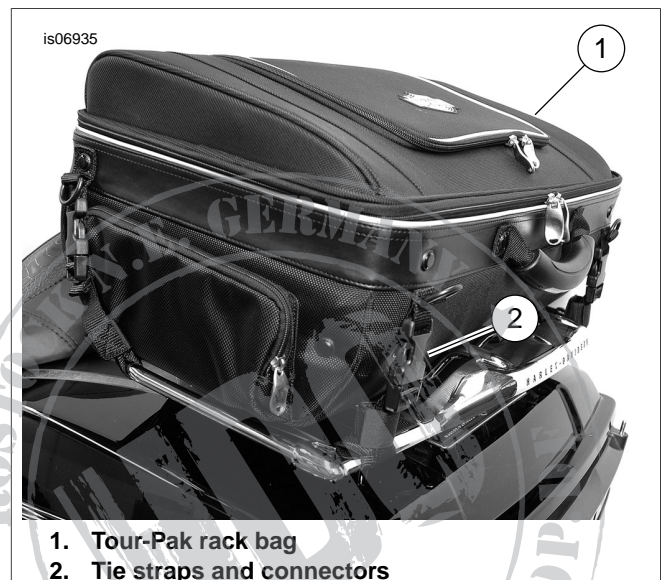
A luggage rack is required when mounting two bags to the passenger upright. Mount one bag in front of, and one bag behind the upright.

1. Fasten the **larger** bag to the passenger upright according to the Single Bag Mounting instructions above.
2. See Figure 5. Connect the D-rings of the second bag to the installed bag as shown.
3. Wrap the straps at the bottom of the second bag around the passenger upright tubes. Connect the buckle halves, then pull the straps tight to secure the bag to the motorcycle.
4. Check that both bags are securely fastened to the motorcycle.

INSTALLATION

Premium Tour-Pak Rack Bag

1. See Figure 6. Set the rack bag on top of the luggage rack with carrying handle (1) toward the rear of the motorcycle.
2. See Figure 6 and Figure 7. Wrap the loop end of the connector strap around the bar of the luggage rack. Pass the quick disconnect end of the strap through the loop to attach it to the luggage rack. Connect the male quick disconnect end with the female connector on the bag. Tighten strap securely.
3. Give the rack bag a final pull to verify the pack is securely attached.
4. Use the hook and loop tabs to tie up any excess strap.



1. Tour-Pak rack bag
2. Tie straps and connectors

Figure 6. Premium Tour-Pak Rack Bag

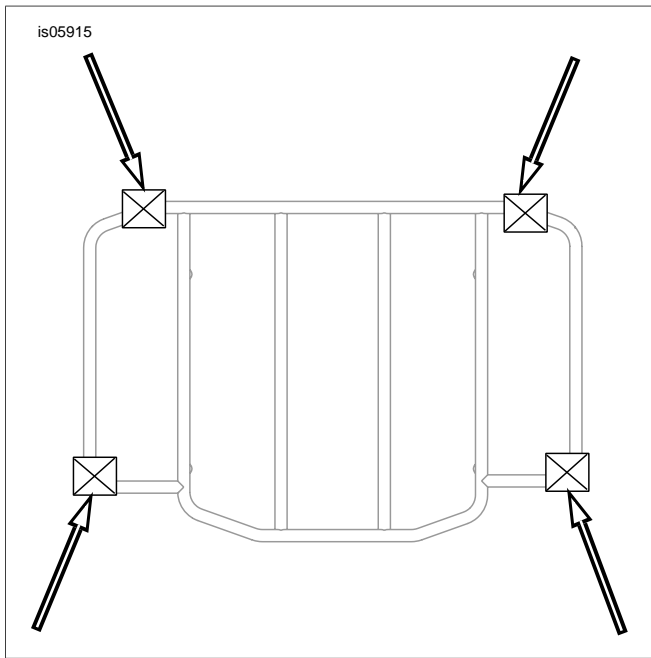


Figure 7. Premium Rack Strap Locations (Arrows)

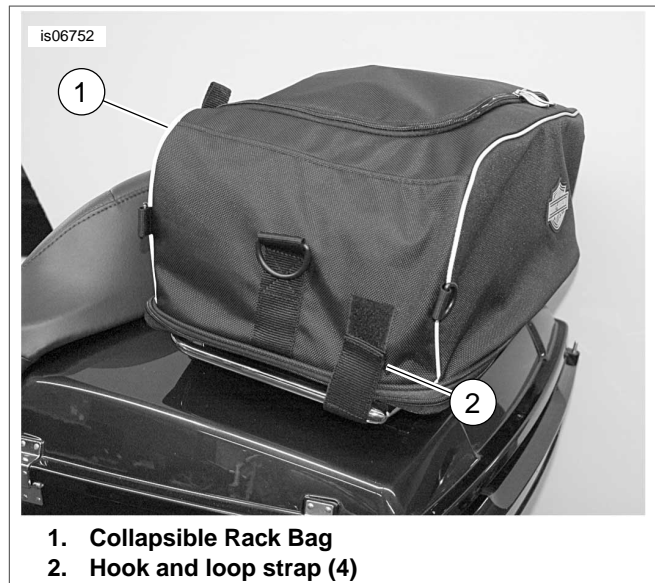
NOTE

Premium Rack shown for illustration purposes.

INSTALLATION

Collapsible Rack Bag

1. See Figure 8. The Rack bag is designed to attach to the luggage rack only one way. When the bag is correctly fastened to the rack, the two straps will attach to the front of the rack and two straps to the sides of the rack.
2. Fasten the bag to the luggage rack as follows:
 - a. There are four hook and loop straps on the collapsible rack bag; two in front and one on each side towards the rear of the bag. Loop the two front straps around the luggage rack rails at the front and fasten. Fasten the side straps in the same manner on the side rails.
 - b. This bag may also be used in its expanded form. The attachment method will be the same as before, but you will use the second (lower) set of hook and loop patches. These patches are located at the front and sides of the bag, underneath the zipper that runs around the bottom of the bag.

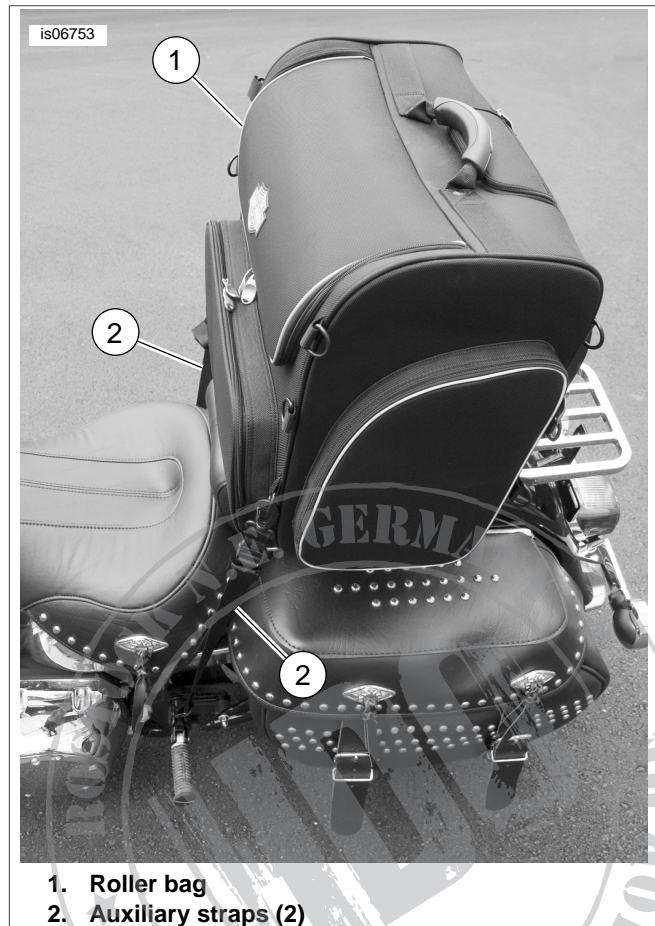


1. Collapsible Rack Bag
2. Hook and loop strap (4)

Figure 8. Collapsible Rack Bag on Rack

INSTALLATION

Rolling Touring Bag



1. Roller bag
2. Auxiliary straps (2)

Figure 9. Rolling Touring Bag (also showing Auxiliary Straps)

1. See Figure 3 and Figure 9. Slide the mounting pocket over the upright. Secure the bag to the upright or luggage rack using the straps on the bag. For added stability the Auxil-

ary Strap Kit (93300015) may be purchased separately. Refer to Auxiliary Strap section for details.

2. When the Rolling Touring Bag is off the motorcycle and in use, slide the mounting straps through the loops underneath the mounting pocket in order to secure them. The bag can be pushed or pulled by unzipping the top flap and extending the handle.

INSTALLATION

Sissy Bar Backpack

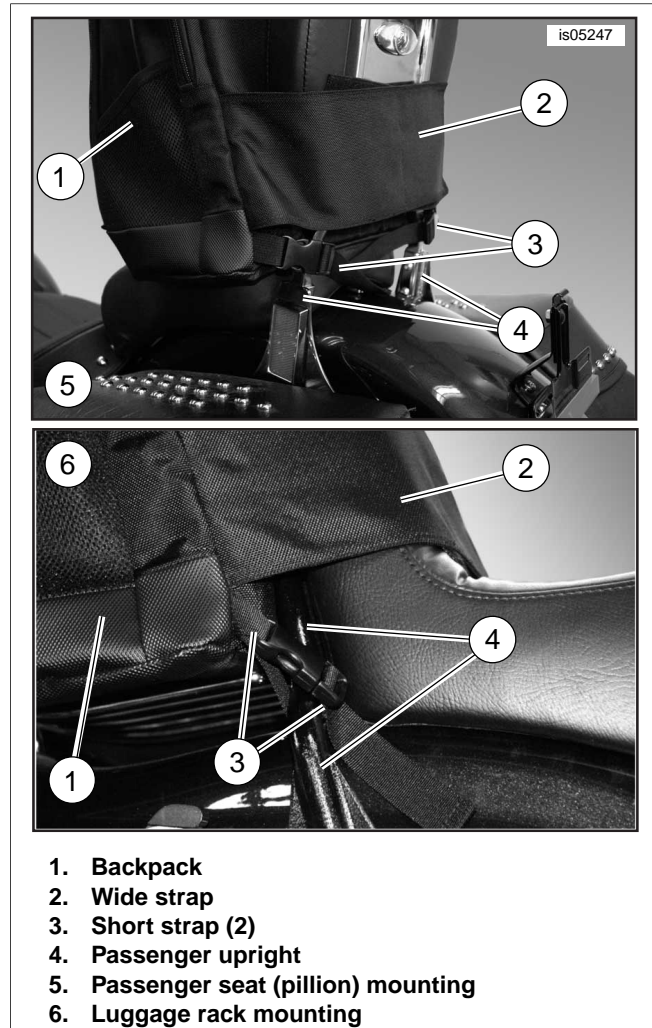


Figure 10. Backpack Installed On Passenger Backrest

1. See Figure 10. Disconnect the quick-release buckles on the two long backpack straps from the short straps (3) at the bottom of the backpack. Tuck the long back straps securely and completely into the open pocket at the top of the bag. Secure with the hook-and-loop fastener.
2. Position the backpack (1) over the passenger seat (pillion, 5) or luggage rack (6) with the shoulder straps facing the passenger upright (4).
3. Separate the hook-and-loop fastener securing the wide strap (2) sections across the lower half of the backpack.
4. Connect the quick-release buckles on the two short straps (3) at the bottom of each side of the backpack to secure the backpack to the bottom of the uprights on each side. Pull the straps tight to secure the base of the backpack to the uprights.
5. Wrap the wide strap tightly around the backrest pad, and secure with the hook-and-loop fastener.

