



# INSTRUCTIONS

-J05261

REV. 2010-07-22

## DETACHABLE SADDLEBAG STORAGE BRACKET KIT

### GENERAL

#### Kit Number

93100002

#### Models

For model fitment information, see the P&A Retail Catalog or the Parts and Accessories section of [www.harley-davidson.com](http://www.harley-davidson.com) (English only).

#### Kit Contents

See Figure 1 and Table 1.

### INSTALLATION

#### NOTE

*These brackets are designed to fit in a garage with the stud centerlines set sixteen inches apart. Mounting can also be done using a backing board mounted to the studs that are non-standard.*

1. See Figure 1 and Table 1. Install the front docking point (5) to the hole in the bracket (1) using the nut (3), washer (2) and screw (7)
2. Install the rear docking point (6) to the bracket channel using the nut, washer and screw. Leave the screw loose to allow the docking point to slide in the channel of the bracket.
3. Locate stud centerlines and install the bracket (1) using the lag bolts (4)
4. Attach the saddlebag to the front docking point and align the rear docking point to fit the saddlebag. Tighten the rear docking point.
5. Mount the saddlebag to the docking points in the same manner as being mounted to the motorcycle.

6. Repeat steps 1 through 4 for the opposite saddlebag.

### SERVICE PARTS

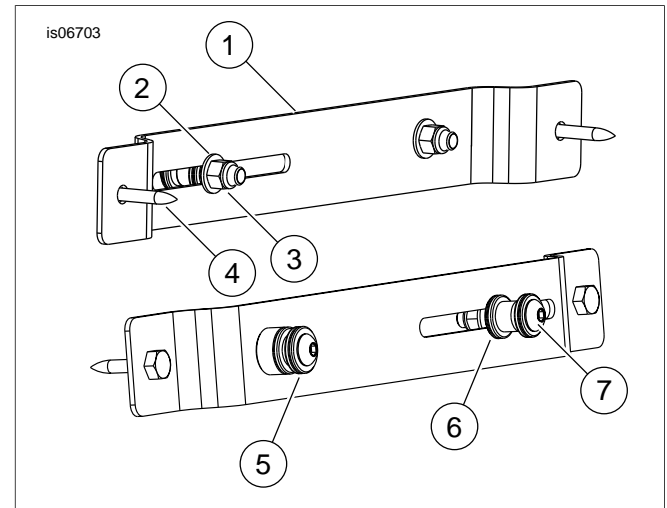


Figure 1. Detachable Saddlebag Storage Bracket Kit

Table 1. Service Parts

Item	Description (Quantity)	Part Number
1	Bracket (2)	Not Sold Separately
2	Washer (4)	6701
3	Hex lock nut (4)	7778
4	Lag bolt, 3/8 x 1.50 inch (4)	Not Sold Separately
5	Front docking point (2)	53683-96
6	Rear docking point (2)	53684-96A
7	Hex socket button head screw (4)	4246