



INSTRUCTIONS

-J05262

REV. 2010-11-15

CRUISER CRADLE WHEEL CHOCK

GENERAL

Kit Numbers

92900001, 92900002

Models

The Harley-Davidson Wheel Chock is a fully adjustable wheel locking system. It can securely support vehicles which weigh up to 3000 lbs (1360 kg) with front and rear wheel rim diameters of 14-22 in (35-55 cm) and tire widths of 80-220 mm.

Motorcycles with very low fenders or cowlings may not fit on the wheel chock. Minimum clearance required is 15 in (38 cm) at the front stop channel and 6 in (15 cm) for the engaged cradle.

Additional Parts Required

Trailer mounted applications of this kit requires the separate purchase and installation of the Trailer Adapter Kit (Part No. 92900002). The installation instructions for that kit are included at the end of this instruction sheet.

WARNING

The rider's safety depends upon the correct installation of this kit. If the procedure is not within your capabilities or you do not have the correct tools, have a Harley-Davidson dealer perform the installation. Improper installation of this kit could result in death or serious injury. (00308a)

Kit Contents

There are no Service Parts available with this kit.

SET UP

1. Remove wheel chock parts from box.
2. Remove cable strap from the wheel chock base.
3. See Figure 1. Remove hitch pin (10) and front stop pin (9).
4. Install the wheel chock base and two screws (12) to support bar (13). Tighten screws to 16-18 ft-lbs (21.7-24.4 Nm).
5. Raise the front stop channel (15) along with the loose cradle (14) to the upright position.
6. While holding the front stop in the upright position, remove the cradle from the front stop channel V-bracket (16).
7. Secure the front stop channel in the upright position with the front stop pin (9). Secure the pin with the previously removed hitch pin (10).

NOTE

Assemble the cradle into the primary holes indicated in Table 1 for the first mounting of the motorcycle. If the fit of the wheel

is too tight or the wheel sticks in the cradle, remove the motorcycle and change the cradle to the secondary position indicated in the table. See **Wheel Chock Fit and Cradle Setting**.

8. Refer to Table 1 and Figure 1. Install the cradle (14) and cradle pivot pin (8) to the wheel chock holes indicated in the table. Orient the cradle (14) so that the tabbed end of the cradle (7) is positioned away from the front stop channel (15), as shown. Secure the cradle pivot pin with the hitch pin (11).
9. If necessary, adjust the height of the V-bracket (16) to the position closest to the wheel axle height as follows:
 - a. Remove two screws (17).
 - b. Adjust the V-bracket height.
 - c. Install two screws (17) and tighten to 8-9 ft-lbs (10.8-12.2 Nm).

Table 1. Cradle Position Setting

Wheel	Tire Width (mm)	Wheel Rim Diameter (in)	Primary Cradle Position	Secondary Cradle Position
Front	80, 90	21	1	2
Front	100, 120	21	1	1
Front	100	18	2	3
Front	100	19	2	2
Front	120	17	3, 4	5
Front	130	16	2	3
Front	140	17	1	2
Front	150	17	1	1
Rear	150+	All	1	1

OPERATION

Mounting the Motorcycle on Wheel Chock

1. Place the wheel chock directly in front of or behind the motorcycle.
2. Align the wheel with the center of the cradle.
3. Push or drive the motorcycle onto and over the cradle until the tire rests against the front stop.
4. When servicing or storing the motorcycle, secure the wheel to the front stop with an appropriate strap or cord. Route the strap around the front stop and through the wheel.

⚠ WARNING

Properly tie down the motorcycle when transporting on trailer or truck. Failure to secure properly can cause motorcycle to tip or fall which could cause death or serious injury. (00617b)

5. If the wheel chock is installed on a trailer or truck, secure the motorcycle using appropriate tie-downs or straps.

Wheel Chock Fit and Cradle Setting

NOTE

The cradle settings indicated in Table 1 are recommendations only. Cradle settings may differ due to tire manufacturing variations.

When the wheel chock cradle is set in the proper location, the cradle tilts as far forward as possible without contacting any part of the wheel chock or the surface below.

If the wheel chock is too tight or if the wheel sticks in the wheel chock, remove the motorcycle from the chock and move the cradle one setting closer to the front stop channel as follows:

1. See Figure 1. Remove hitch pin (11) and cradle pivot pin (8).
2. Move cradle (14) to new position.
3. Install cradle pivot pin (8) and hitch pin (11).

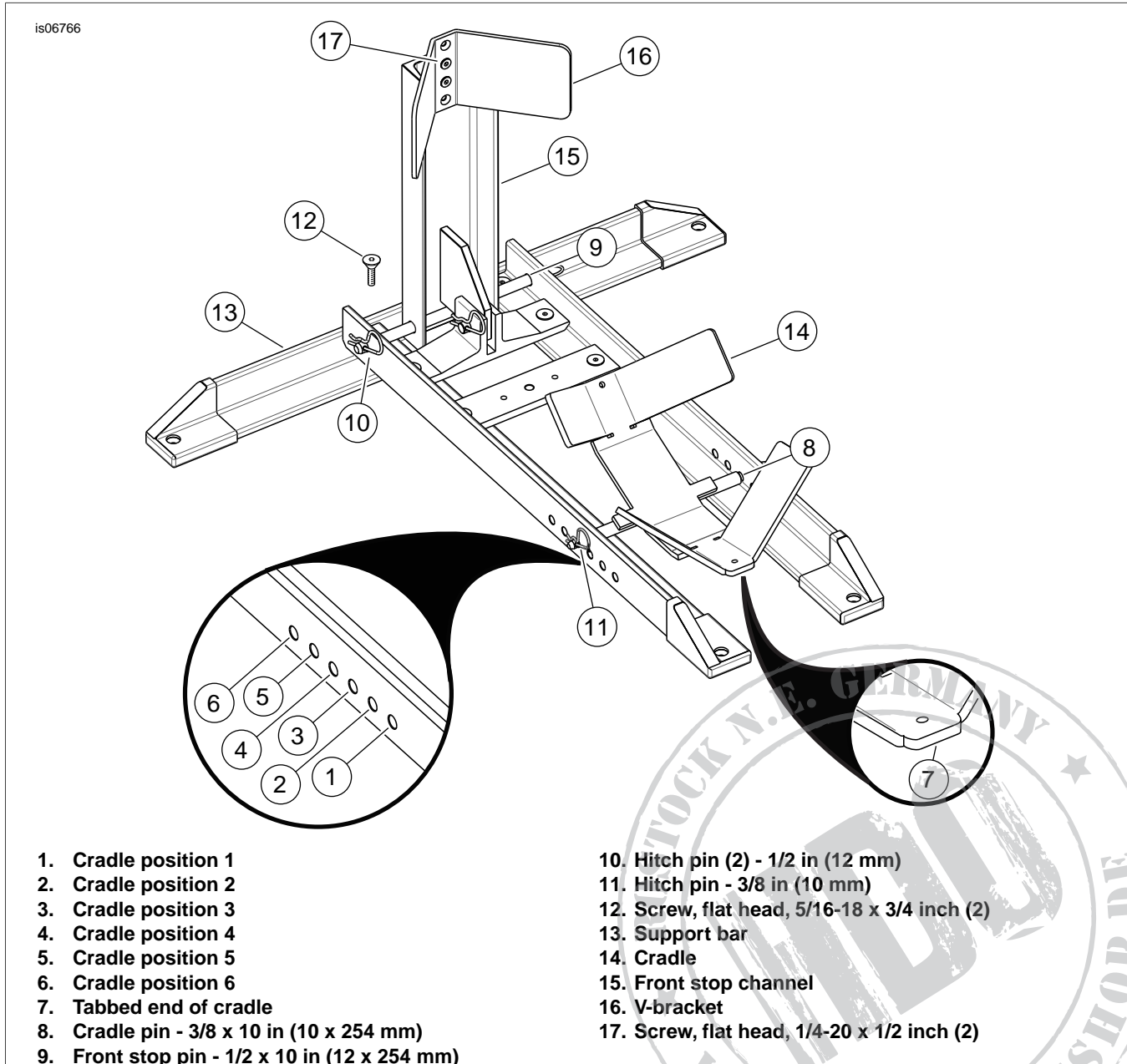


Figure 1. Harley-Davidson Wheel Chock

TRAILER ADAPTER KIT (SOLD SEPARATELY)

Only install the wheel chock on a well-maintained trailer or vehicle which is rated to carry the motorcycles weight. See the motorcycle's owner's manual for vehicle weights.

Mounting Bracket Installation

1. See Figure 2. Install shoulder screws (3) to the wheel chock as shown. Do not use washers (2) at this time. Tighten screws to 18 ft-lbs (24.4 Nm).
2. Locate the trailer bracket (5) as follows:
 - a. The bracket mounting location must be at least 10 in (26 cm) (8) from the front of the trailer or any obstruction on the mounting surface that would interfere with the placement of the wheel chock.
 - b. The bracket mounting location must allow for the entire wheel chock to fit onto the mounting surface.

CAUTION

Always wear proper eye protection when drilling or grinding. Flying debris could cause serious eye injury. (00402e)

3. Install the mounting bracket as follows:
 - a. Orient the mounting bracket as shown in the selected location.
 - b. Using the mounting bracket as template, mark the outside hole locations of the bracket onto the mounting surface. Set mounting bracket aside.
 - c. Verify that the area below the mounting surface is accessible and unobstructed.
 - d. Using a 5/16 inch (8 mm) drill bit, drill holes at the marked positions.
 - e. Install the mounting bracket (5) to the top of the mounting surface and secure with screws (4), washers (6) and lock nuts (7). Tighten to 18-24 ft-lbs (24.4-32.5 Nm).
4. Install the wheel chock to the mounting bracket so that the previously installed shoulder screws (3) fit into the key ways of the mounting bracket.

NOTE

If the wheel chock does not slide easily into place on the mounting bracket, remove the shoulder screws from the wheel chock and install the shoulder screws again using washers (2), as shown. Then install the wheel chock to the mounting bracket again. Any tightness due to unevenness of the mounting surface should be relieved.

5. Push the wheel chock forward so that the shoulder screws lock into the key ways of the mounting bracket.
6. Install thumb screw (1) through the wheel chock bracket and into the mounting bracket (5). Tighten thumb screw finger-tight.

Install and Remove Wheel Chock

WARNING

Properly tie down the motorcycle when transporting on trailer or truck. Failure to secure properly can cause motorcycle to tip or fall which could cause death or serious injury. (00617b)

To install the wheel chock to the mounting bracket:

1. Install the wheel chock to the mounting bracket so that the shoulder screws (3) fit into the key ways of the mounting bracket.
2. Push the wheel chock forward so that the shoulder screws lock into the key ways of the mounting bracket.
3. Install thumb screw (1) through the wheel chock bracket and into the mounting bracket (5). Tighten thumb screw finger-tight.

To remove the wheel chock from the mounting bracket:

1. Remove and save thumb screw (1) from the wheel chock.
2. Push the wheel chock rearward so that the shoulder screws slide to the loose end of the mounting bracket key ways.
3. Lift the wheel chock away from the mounting bracket.
4. Install thumb screw into the trailer mount bracket (5) to store it. Tighten thumb screw finger-tight.

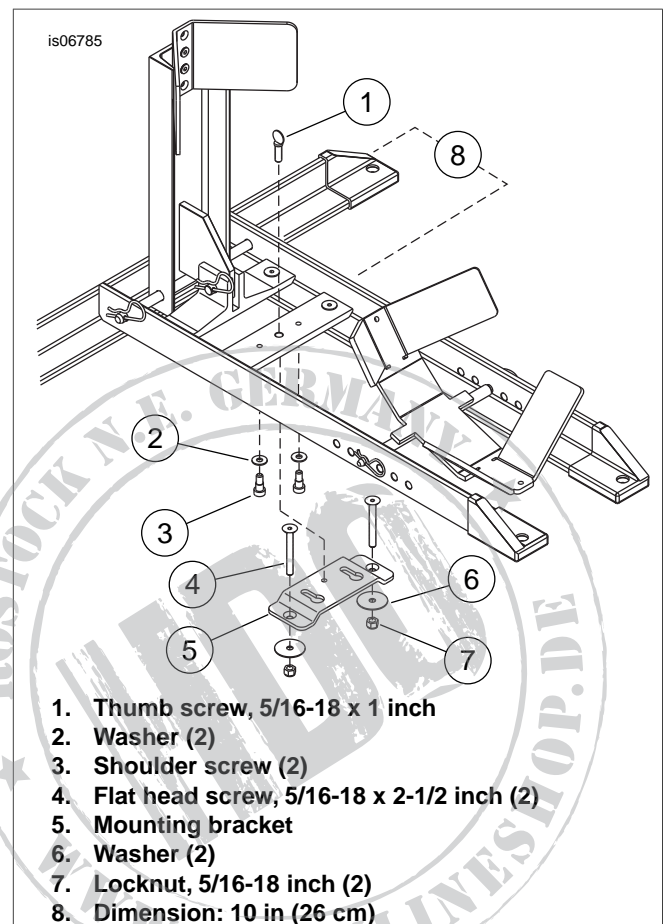


Figure 2. Trailer Mounting Kit (Sold Separately)