



INSTRUCTIONS

-J06284

2015-09-01

SCREAMIN' EAGLE 117 (1916 CC) BOLT-ON RACE KIT

GENERAL

Kit Number

92500052, 92500053

Models

For model fitment information, see the P&A Retail Catalog or the Parts and Accessories section of www.harley-davidson.com (English only).

Installation Requirements

Separate purchase and installation of extra parts or accessories may be required for proper installation of this kit. See the Screamin' Eagle® Pro Catalog or contact a Harley-Davidson® Dealer.

NOTE

Discard 4 in head gasket included with the top end gasket kit (part number 17349-07B). Use the Multi-Layer Steel 4.125 in head gasket included with the piston and cylinder kit.

▲ WARNING

The rider's safety depends upon the correct installation of this kit. Use the appropriate service manual procedures. If the procedure is not within your capabilities or you do not have the correct tools, have a Harley-Davidson dealer perform the installation. Improper installation of this kit could result in death or serious injury. (00333a)

NOTE

This instruction sheet references service manual information. A service manual for your model motorcycle is required for this installation. One is available from a Harley-Davidson dealer.

Kit Contents

See Figure 1 to Figure 3, and Table 1 to Table 3.

NOTE

The kit is intended for High Performance applications only. This Kit is not legal for sale or use on pollution controlled motor vehicles. This kit may reduce or void the limited vehicle warranty.

Engine-related performance parts are intended FOR THE EXPERIENCED RIDER ONLY.

REMOVAL

Prepare for Service

1. Disarm security system.
2. Raise the motorcycle.

3. See the service manual. Remove seat.
4. See the service manual. Remove main fuse.

▲ WARNING

When servicing the fuel system, do not smoke or allow open flame or sparks in the vicinity. Gasoline is extremely flammable and highly explosive, which could result in death or serious injury. (00330a)

5. See the service manual. Remove fuel tank.

Remove Engine Components

1. See the service manual. Remove existing air cleaner assembly.
2. See the service manual. Remove existing exhaust system.
3. See the service manual. Disassemble engine top end and cam plate assembly.
4. See the service manual. Remove existing clutch diaphragm spring.

INSTALLATION

Install Engine and Clutch Components

1. See Figure 3. Install new inner cam bearings included with Kit.
2. See Figure 1 through Figure 3. See the service manual. Assemble cams to camplate, performance cylinder heads and engine top end using parts from kit.
3. Assemble throttle body and injectors from kit using original equipment fuel line and fuel rail. Refer to instructions in the supplied throttle body kit.
4. Install throttle body assembly to engine using intake flanges and seals supplied in the throttle body kit. Refer to instructions from the supplied throttle body kit.
5. **2008 through 2012 Models only:** See the service manual. Install clutch diaphragm spring from kit.
6. See the service manual. Install exhaust system.
7. Install air cleaner assembly. Follow instructions in air cleaner kit.

Final Assembly

1. See the service manual. Install fuel tank.
2. See the service manual. Install seat. After installing seat, pull up on the seat to verify that it is secure.
3. See the service manual. Install main fuse.

-J06284



Many Harley-Davidson® Parts & Accessories are made of plastics and metals which can be recycled. Please dispose of materials responsibly.

1 / 4

NOTICE

You must recalibrate the ECM when installing this kit. Failure to properly recalibrate the ECM can result in severe engine damage. (00399b)

- Recalibrate ECM using a Screamin' Eagle Pro Super Tuner. (Purchased Separately). Refer to Screamin' Eagle Pro Catalog or contact a Harley-Davidson dealer.

- Run engine. Repeat several times to verify proper operation.

Operation

Refer to BREAK-IN RIDING RULES in the Owner's Manual to break in the motorcycle.

SERVICE PARTS

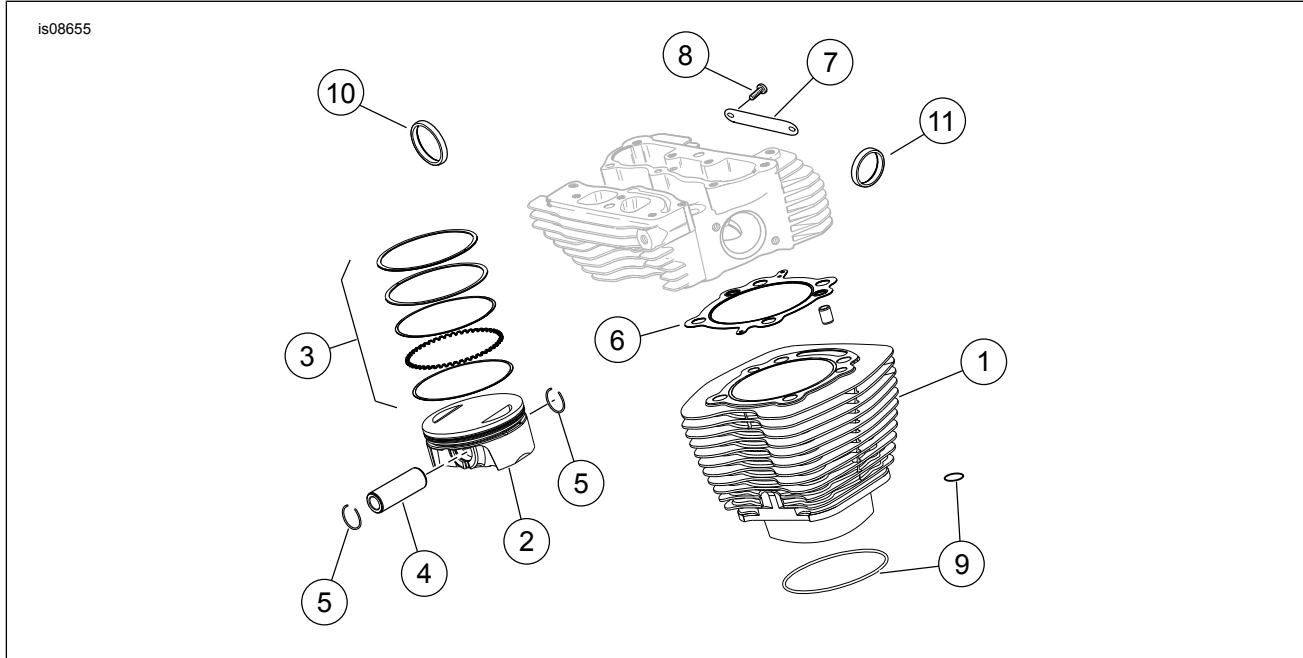


Figure 1. Service Parts: Screamin' Eagle Twin Cam 117 (1916 cc) Bolt-on Race Kit

Table 1. Service Parts: Screamin' Eagle Twin Cam 110 (1800 cc) Bolt-on Stage V Race Kit

Item	Description (Quantity)	Part Number	Item	Description (Quantity)	Part Number
1	Cylinder assembly (Black) (2)	16800126	6	Gasket, 4.125 in MLS cylinder head (2)	16500510
1	Cylinder assembly (Granite) (2)	16800128	7	117 Medallion, cylinder head	Not Sold Separately
2	Piston (2)	Not Sold Separately	8	Screws (4), medallion	25800017
3	Piston Ring Set (2)	22000051	9	O-ring kit, cylinder base (1)	11907
4	Piston pin (2)	22100001	10	Gasket, exhaust port (2)	65324-99A
5	Piston pin circlip (4)	22097-99	11	Seal, intake manifold (2)	26995-86B

Notes: Piston Kit (2190079) includes 2 through 5.
 Item 9 through 11 are also included in Top End Gasket Kit (17349-07B).
 Items 1 through 8 are included in Piston and Cylinder Kit (92500050) Black and (92500051) Granite.

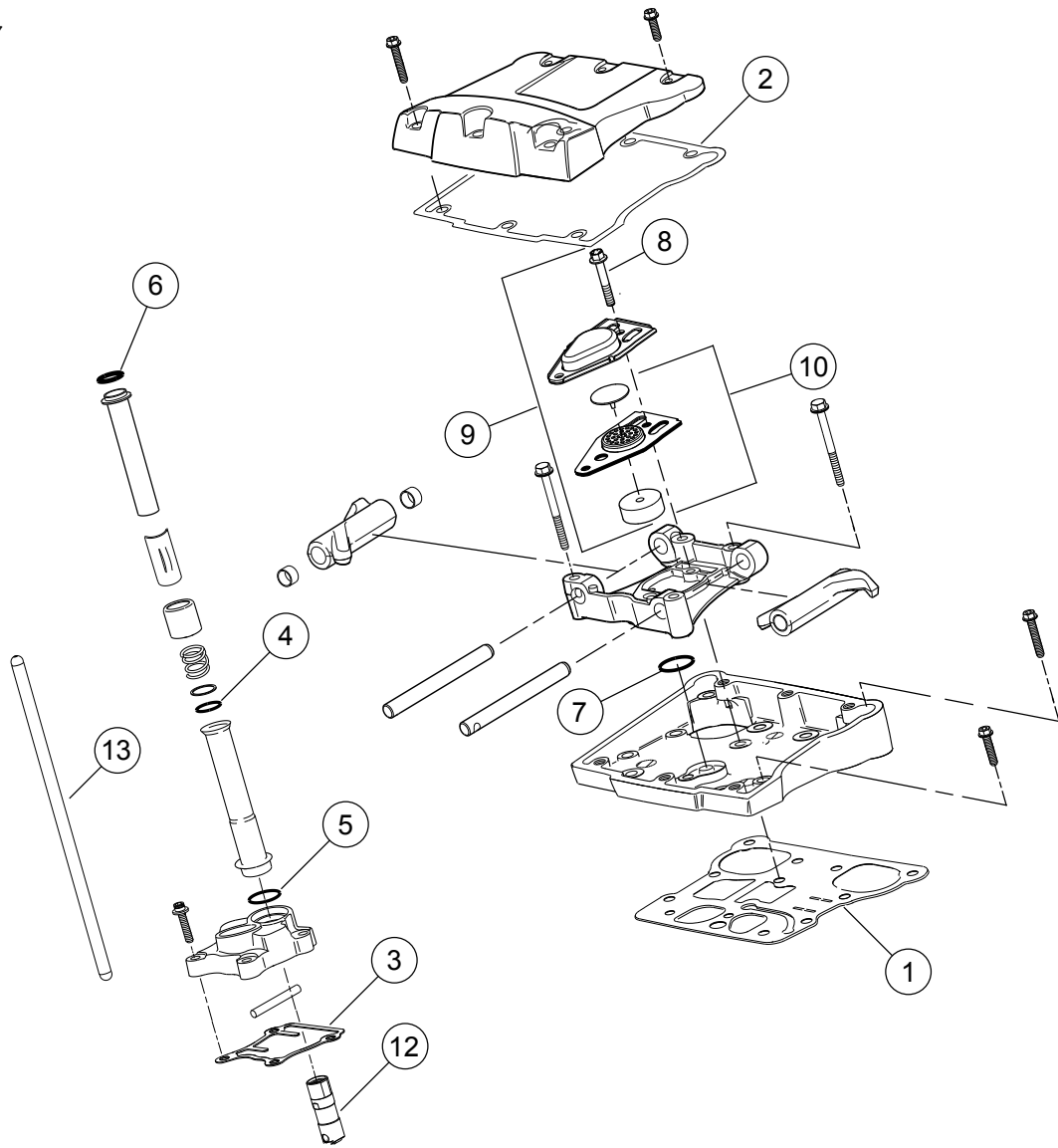


Figure 2. Service Parts: Screamin' Eagle Twin Cam 117 (1616 cc) Bolt-on Race Kit

Table 2. Service Parts: Screamin' Eagle Twin Cam 117 (1916 cc) Bolt-on Race Kit

Item	Description (Quantity)	Part Number	Item	Description (Quantity)	Part Number
1	Gasket, rocker cover base (2)	16719-99B	8	Breather bolt (4)	4400
2	Gasket, rocker cover top (2)	17386-99A	9	Breather assembly (2)	17025-03A
3	Gasket, tappet cover (2)	18635-99B	10	Baffle assembly (2) [includes gaskets (2)]	26500002
4	O-ring, middle push rod cover (4)	11132A	11	Valve seals (4) (Not Shown)	18067-09
5	O-ring, lower push rod cover (4)	11145A	12	High capacity tappet kit	18572-13
6	O-ring, upper push rod cover (4)	11293	13	Perfect fit pushrod kit, +.030 in	18401-03
7	O-ring, rocker arm support (2)	11270	14	Spring, clutch diaphragm (2) (Not Shown)	37951-98

Notes: Items 1 through 11 are included in Top End Gasket Kit (17349-07B).

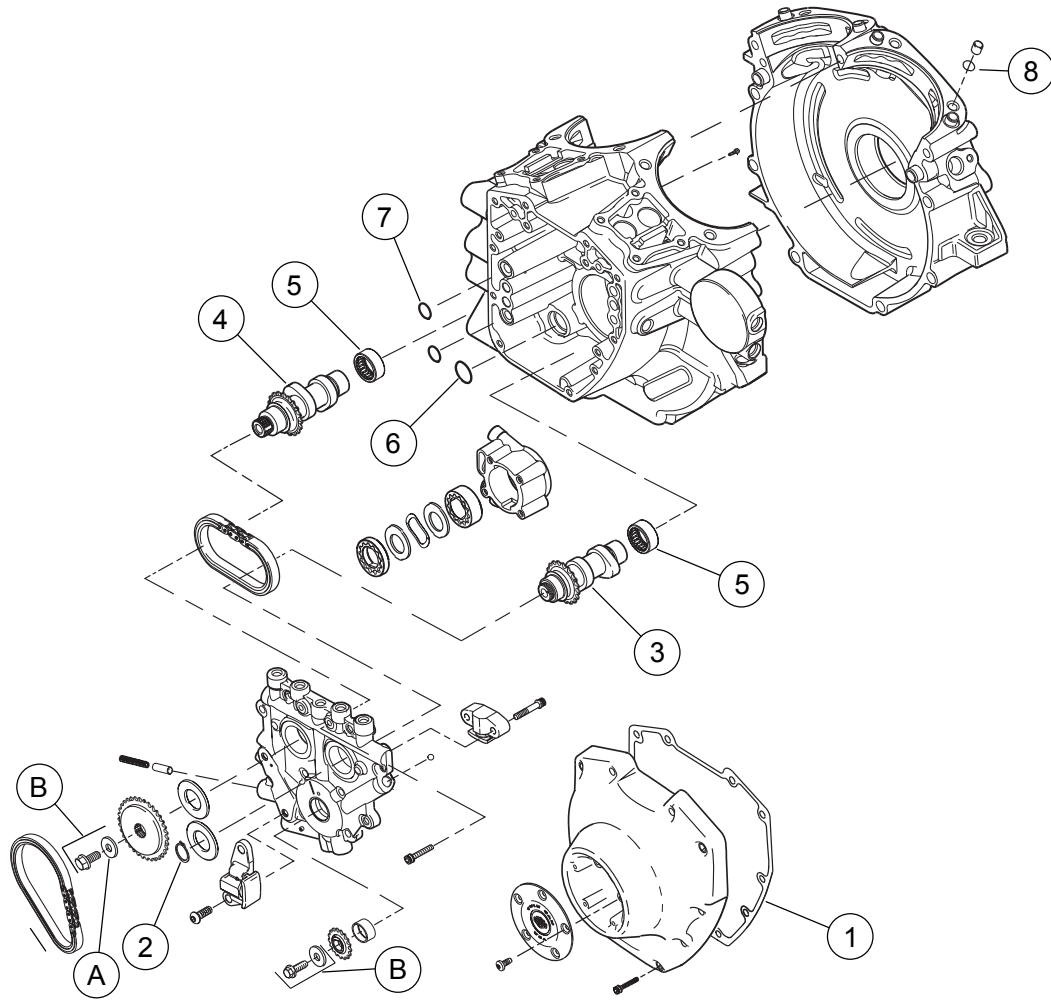


Figure 3. Service Parts: Screamin' Eagle Twin Cam 117 (1916 cc) Bolt-on Race Kit

Table 3. Service Parts: Screamin' Eagle Twin Cam 117 (1916 cc) Bolt-on Race Kit

Item	Description (Quantity)	Part Number
1	Gasket, cam cover	25244-99A
2	Retaining ring	11461
3	Camshaft, front	Not Sold Separately
4	Camshaft, rear	Not Sold Separately
5	Bearing kit, needle, left side (2)	24018-10
6	O-ring, oil pump to cam plate	11293
7	O-ring, cam plate to crankcase (2)	11301
8	O-ring kit, includes cylinder base O-rings	11907
9	Hi-flow injector kit (not shown)	27796-08
10	58 mm ETC throttle body kit (not shown)	27713-08
Items mentioned in text, but not included in kit:		
A	Washer	6294
B	Cam drive retention kit (includes screw and washer)	25566-06
Items 3 and 4 are available in Cam Kit, SE259 (25482-10)		