



# INSTRUCTIONS

-J04393

REV. 2007-04-19

## FORK BAG KIT

### GENERAL

#### Kit Number

92352-08

#### Models

For model fitment information, please see the P&A Retail Catalog or the Parts and Accessories section of [www.harley-davidson.com](http://www.harley-davidson.com) (English only).

#### Kit Contents

See Figure 1 and Table 1.

### INSTALLATION

1. See Figure 1. Obtain the fork bag mounting bracket (2) and two fork protector pads (3) from the kit. Install the pads onto the ends of the bracket as shown.

#### NOTE

Failure to install pads to bracket will result in damage to the front fork finish. Pads should be replaced if damaged or missing.

2. Grasp the headlight assembly securely and, from the underside of the upper fork bracket (triple tree), remove the hex bolt with washer retaining the headlight assembly.

#### NOTE

Hold on to the headlamp while it is not secured by the bolt so it does not fall.

3. From **behind** the front forks, and with the upper tab facing forward, position the fork bag mounting bracket underneath the upper fork bracket.
4. Obtain the hex bolt with washer removed in Step 2. Insert the bolt threads up through the hole in the upper tab of the fork bag mounting bracket, the upper fork bracket, and into the threaded hole in the headlamp assembly.  
Align the headlamp to point straight forward, and tighten the bolt to 30-35 ft-lbs (41-47 Nm).
5. Obtain the fork bag (1), and three screws (4), washers (5) and locknuts (6) from the kit. Place a washer onto the threads of each screw.

Turn the latch on the front of the bag to open. Position the bag against the **front** of the fork bag mounting bracket, between the forks. From the back, insert the threads of one screw through a hole in the bracket and the mating hole in the fork bag.

Loosely install a locknut to the screw threads inside the bag. Repeat with the remaining two screws, washers and locknuts.

6. Tighten all three screws to 15-17 ft-lbs (20-23 Nm).

### SERVICE PARTS

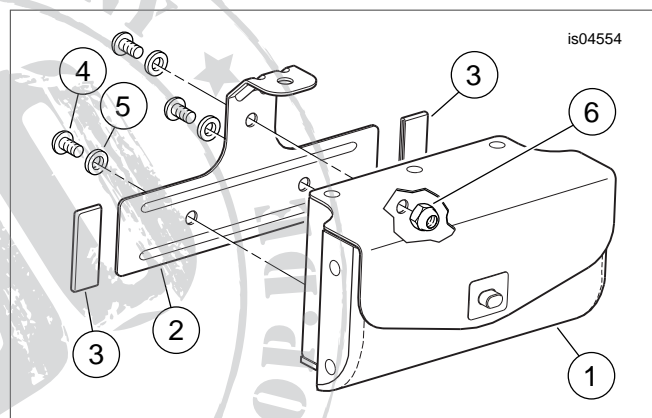


Figure 1. Service Parts, Fork Bag

Table 1. Service Parts

Item	Description (Quantity)	Part Number
1	Fork bag	Not sold separately
2	Mounting bracket, fork bag	Not sold separately
3	Pad, fork protector (2)	92380-08
4	Screw (3)	94392-92T
5	Washer (3)	Not sold separately
6	Locknut, with nylon insert (3)	7710W