



# INSTRUCTIONS

-J03748

REV. 2005-03-18

## MOLDED SADDLEBAG LINER KIT

### GENERAL

#### Kit Number

92189-06

#### Models

This kit fits 1993 and later Touring models equipped with original equipment color matched hard saddlebags.

This kit will not fit with Police model saddlebags.

#### Kit Contents

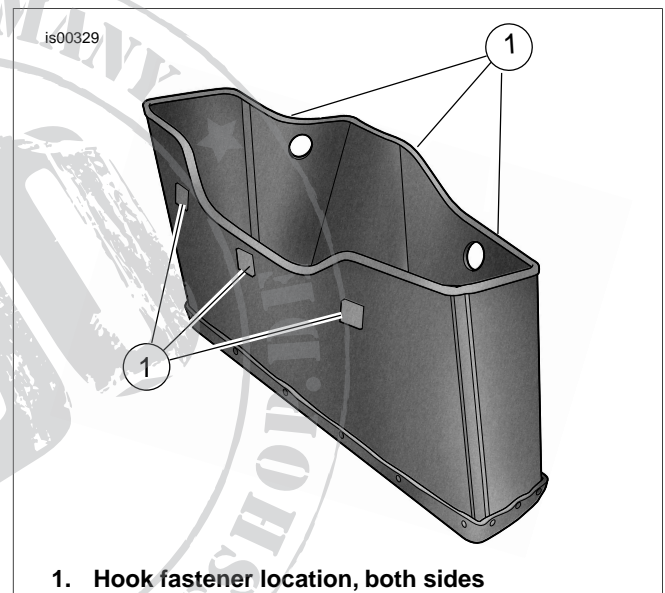
Table 1. Kit Contents

Description (Quantity)	Part Number
Velcro Kit (2)	53314-06
Saddlebag Liner, Left Hand	Not Sold Separately
Saddlebag Liner, Right Hand	Not Sold Separately

### INSTALLATION

1. Wash the inside of the saddlebags with warm, soapy water. Rinse and dry thoroughly.
2. Use the alcohol prep pad in the kit to thoroughly clean the interior surface of the saddlebag sides where hook fastener strips will be attached. Make sure any residue is removed, then allow the saddlebags to dry completely. Make sure the surface is free of condensed moisture.

3. See Figure 1 to locate hook fastener strips. Peel the backing paper from the adhesive side of the hook fastener strips and press the strips against the wall of the saddlebags.
4. Place the liner into the saddlebag and press the liner surfaces against the hooks. Rub each strip firmly onto the saddlebag wall from the inside of the liner.
5. Repeat for the opposite saddlebag.



1. Hook fastener location, both sides

Figure 1. Saddlebag Liner