



# INSTRUCTIONS

-J05038

REV. 2009-12-10

## 12 VOLT TOUR-PAK POWER SUPPLY

### GENERAL

#### Kit Number

91671-10

#### Models

For model fitment information, see the P&A Retail Catalog or the Parts and Accessories section of [www.harley-davidson.com](http://www.harley-davidson.com) (English only).

#### Additional Parts Required

### ⚠ WARNING

The rider's safety depends upon the correct installation of this kit. Use the appropriate service manual procedures. If the procedure is not within your capabilities or you do not have the correct tools, have a Harley-Davidson dealer perform the installation. Improper installation of this kit could result in death or serious injury. (00333a)

#### NOTE

This instruction sheet references Service Manual information. A Service Manual for your model motorcycle is required for this installation and is available from a Harley-Davidson Dealer.

#### Kit Contents

See Figure 3 and Table 1.

### INSTALLATION

#### Vehicle Preparation

1. See the service manual and remove seat.

### ⚠ WARNING

To prevent accidental vehicle start-up, which could cause death or serious injury, remove main fuse before proceeding. (00251b)

### ⚠ WARNING

To prevent accidental vehicle start-up, which could cause death or serious injury, disconnect negative (-) battery cable before proceeding. (00048a)

2. See the service manual and disconnect battery or remove main fuse.

#### Install Kit on Vehicles with Rear Speaker Pods

1. Remove bottom Tour-Pak® liner or mat, if equipped.
2. See Figure 1. Remove the two lower mounting screws (1) and washers (2) for the right speaker pod.

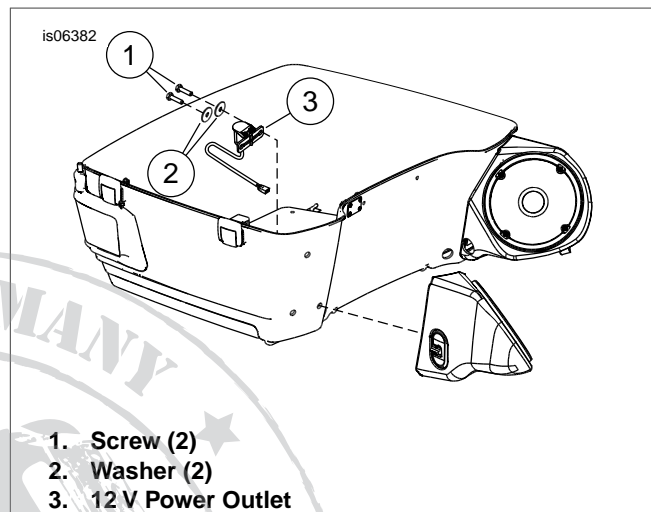


Figure 1. Installation with Speaker Pod

3. Install the 12 V outlet (3) inside the Tour-Pak and secure with previously removed screws and washers. Tighten screws to 25-35 **in-lbs** (2.8-4.0 Nm).

#### Install Kit on Vehicles without Rear Speaker Pods

1. See Figure 3. Install 12 V outlet (1) onto the outlet bracket (4) and secure with acorn nuts (5) and washers (7). Tighten acorn nuts to 25-35 **in-lbs** (2.8-4.0 Nm).
2. Remove the Tour-Pak liner or mat, if equipped.
3. See Figure 2. Remove two nuts (1) from under the Tour-Pak. Save for later installation.
4. Clean the inside surface of the Tour-Pak where the adhesive tape will mount with a mixture of 50-70% isopropyl alcohol and 30-50% distilled water. Allow to dry thoroughly.
5. See Figure 3. Install the adhesive pad (6) to the outlet bracket (4).
  - a. Cut the adhesive pad (6) in half.
  - b. Remove protective film from one piece and fold the pad in half.
  - c. Remove the protective film from the other side of the pad.
  - d. See Figure 2. Install the pad (5) to the back of the outlet bracket over the stud location.
  - e. Repeat steps b-d for the other piece of adhesive tape.
6. See Figure 2. Lift reinforcing plate (2) and install the outlet bracket (4) over the large boss under the front right corner of the plate. The large hole in the bracket will locate over

the boss. The small hole will locate over the rubber bumper (3) tab.

- Press the outlet bracket and adhesive pads against the Tour-Pak wall. Maintain the pressure for one minute before releasing.
- Install nuts to reinforcing plate studs and tighten to 65-70 **in-lbs** (7.3-7.9 Nm).

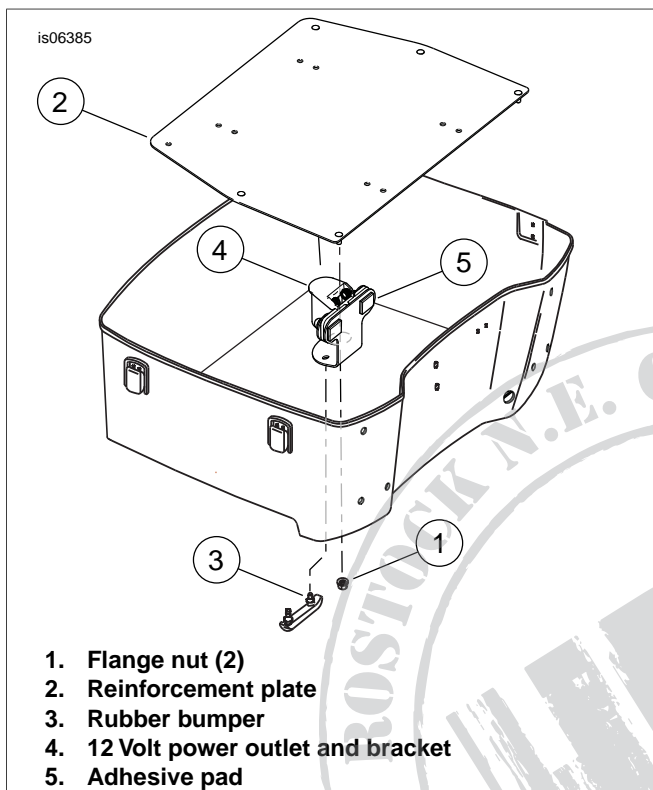


Figure 2. Installation without Speaker Pod

- Secure the harness with cable straps.
- Install the 10 Amp fuse (3) into the inline fuse holder of the Tour-Pak harness.
- Install the Tour-Pak liner or mat, if equipped. If installing a Tour-Pak liner, then use a utility knife to cut an opening in the liner for accessing the outlet.
- See the service manual and install the main fuse or connect the battery negative (-) cable.
- See the service manual and install the seat.

## OPERATION

The power outlet is connected to the accessory switch and will operate when the switch is ON.

## SERVICE PARTS

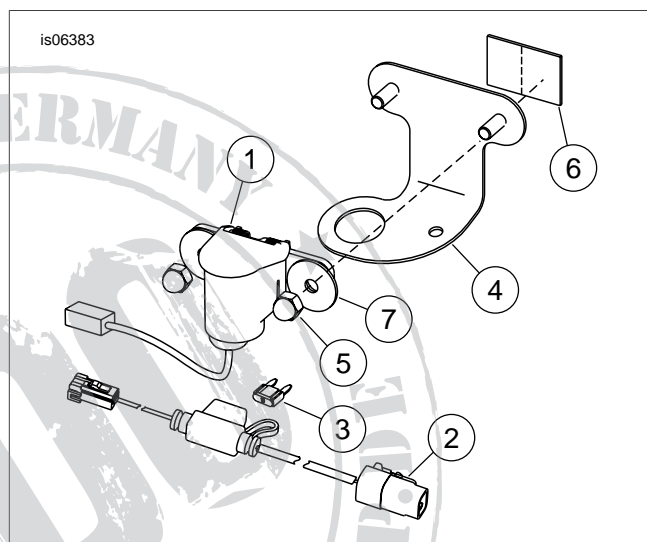


Figure 3. Service Parts: 12 Volt Power Outlet

## Final Installation

- See Figure 3. Connect the two-way connector of the Tour-Pak harness (2) to the outlet.
- Route the harness along the back of the Tour-Pak and out the opening on the left side with the other harnesses, then down the left side fender support and forward to the area of the ECM.

### NOTE

If the accessory connector [4A] is already in use, a Y-harness (70264-94A) is available from an authorized dealer.

- Locate and connect the harness to the four-way accessory connector [4A].

Table 1. Service Parts

Item	Description (Quantity)	Part Number
1	Tour-Pak outlet, 12 V	91823-10
2	Harness, Tour-Pak, 12 V outlet	Not Sold Separately
3	Fuse, 10 A, mini	72462-00
4	Bracket, outlet	Not Sold Separately
5	Nut, acorn (2)	7737W
6	Pad, adhesive	Not Sold Separately
7	Washer (2)	6036