



INSTRUCTIONS

-J03887

REV. 2008-12-15

CHROME DISPLAY STAND

GENERAL

Kit Number

91573-06

Models

For model fitment information, see the P&A Retail Catalog or the Parts and Accessories section of www.harley-davidson.com (English only).

Additional Parts Required

WARNING

The rider's safety depends upon the correct installation of this kit. Use the appropriate service manual procedures. If the procedure is not within your capabilities or you do not have the correct tools, have a Harley-Davidson dealer perform the installation. Improper installation of this kit could result in death or serious injury. (00333a)

NOTE

This instruction sheet references Service Manual information. A Service Manual for your model motorcycle is required for this installation and is available from a Harley-Davidson Dealer.

LOCTITE® 271 (Red) (Harley-Davidson Part Number 99671-97) and 243 (blue) (Harley-Davidson Part Number 99642-97) is required to complete this installation and are available from a Harley-Davidson dealer.

During the installation of this kit, the exhaust system must be moved to allow for proper working clearance.

NOTE

Prior to installation of this kit, inspect the frame support bracket flanges for dents or bent areas. If damage is found, contact a Harley-Davidson dealer.

Kit Contents

See Figure 7 and Table 1.

INSTALLATION

NOTE

See Figure 2. The right hand and left hand lower swingarm bolt (1) must be removed and replaced with **new** bolts from

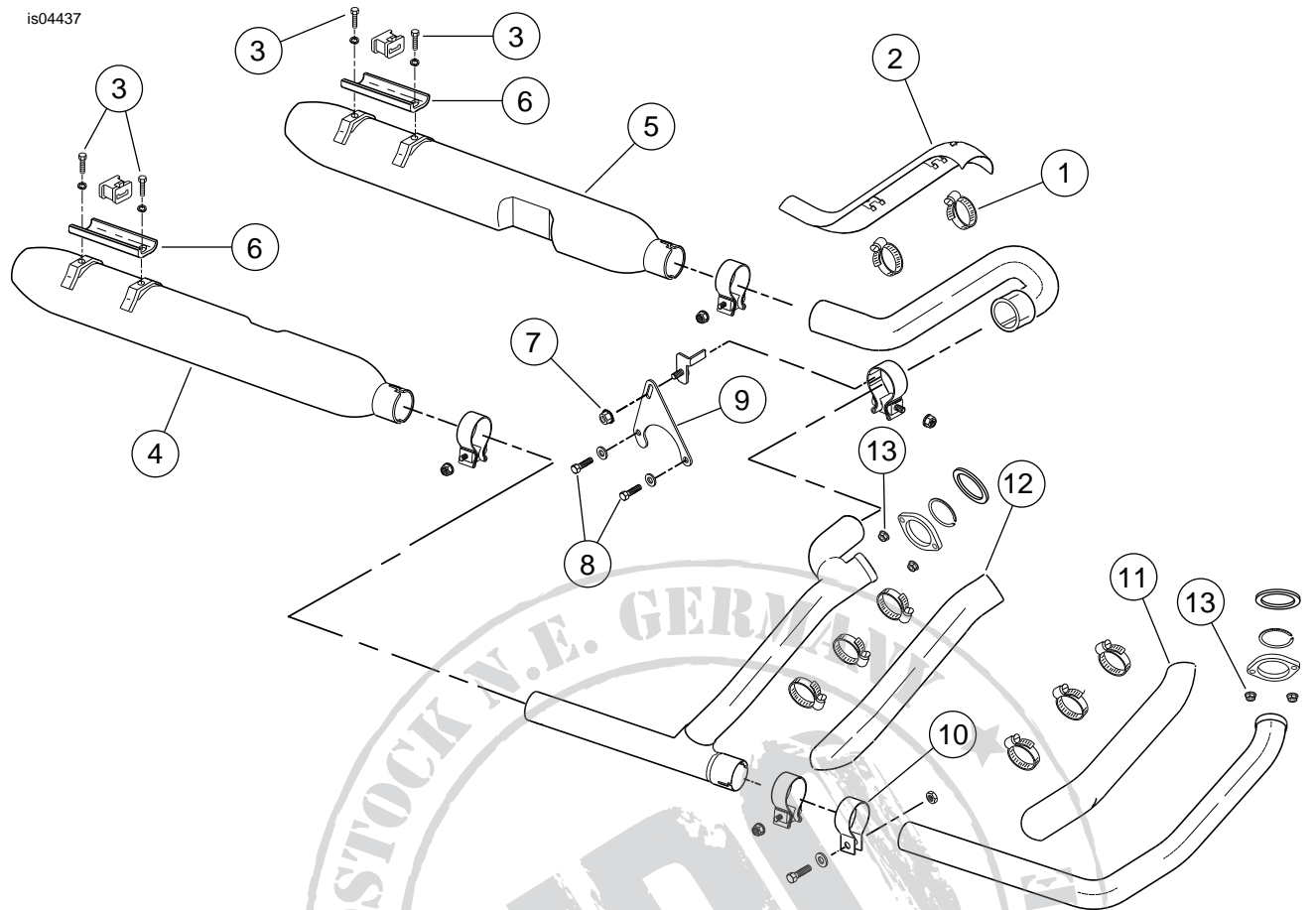
the kit in order to install the center display stand. DO NOT loosen or remove the right hand and left hand upper swingarm bolt (3). The exhaust system must be moved to access the right hand lower swingarm bolt.

Move Exhaust System

WARNING

Disconnect negative (-) battery cable first. If positive (+) cable should contact ground with negative (-) cable connected, the resulting sparks can cause a battery explosion, which could result in death or serious injury. (00049a)

1. Disconnect the battery cables, negative (-) cable first.
2. Support the frame and remove saddlebags. Refer to the applicable Service Manual for Saddlebag Removal procedures.
3. Remove left side cover.
4. See Figure 1. Loosen the top clamp (1) on the rear crossover pipe heat shield (2) and rotate clamp drive screw away from frame. Place a rag between the primary cover, frame and rear crossover exhaust pipe.
5. Remove bolts (3) holding the right hand muffler (4) and left hand muffler (5) to muffler support brackets (6).
6. Remove Keps nut (7) and exhaust support screws (8). Remove exhaust support bracket (9).
7. On the right hand side of vehicle, remove transmission clamp (10).
8. Loosen the rider right hand footboard support bracket cap head screws (not shown).
9. Loosen the front header pipe heat shield (11) and rear header pipe heat shield (12).
10. Loosen the four front and rear exhaust flange nuts (13).
11. See Figure 2. Wedge a rolled up rag in between the rear exhaust pipe and transmission side cover and pull the right side exhaust assembly away from motorcycle until enough clearance is gained to remove the lower bolt (1) on the rear swingarm and passenger footboard bracket (2). **Do not** remove lower bolt (1) until instructed to do so in the following section.



1. Rear crossover pipe heat shield clamp
2. Rear crossover pipe heat shield
3. Muffler support bolt (4)
4. Muffler, right
5. Muffler, left
6. Muffler support bracket
7. Keps nut
8. Exhaust support bracket bolt (2)
9. Exhaust support bracket
10. Transmission clamp
11. Front header pipe heat shield
12. Rear header pipe heat shield
13. Exhaust flange nut (4)

Figure 1. Exhaust System Re-positioning Procedure

Install Display Stand

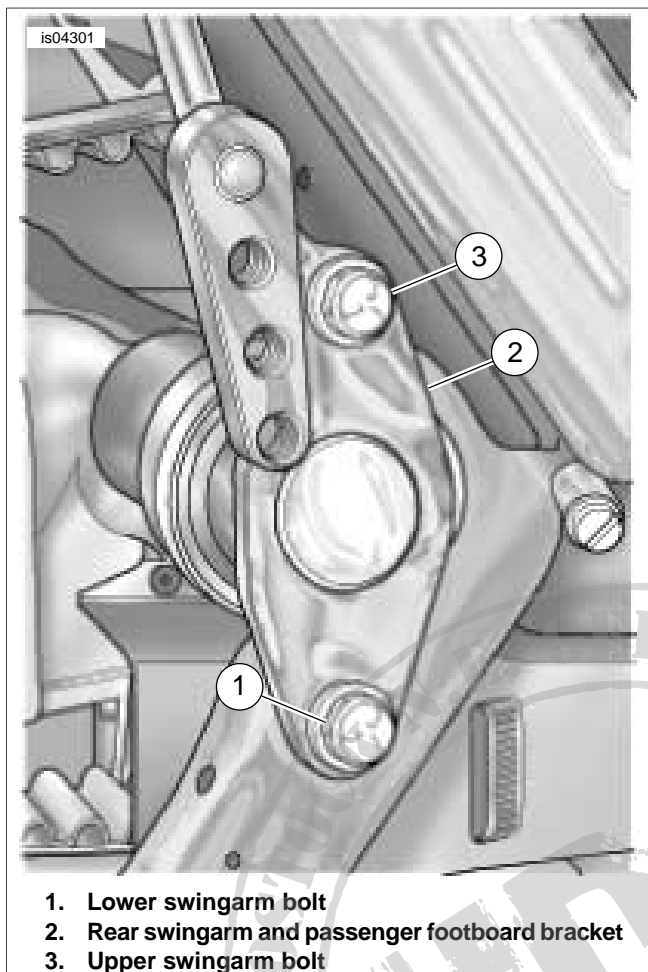
CAUTION

Do not loosen or remove factory installed screws or set screws. Loosening or removing screws can affect spring tension and result in display stand malfunction. (00549b)

NOTE

See Figure 2. While performing the following step, support engine and **DO NOT** remove the upper bolts (3) from the left and right swingarm brackets.

1. Support engine.
2. See Figure 2. Remove the lower 7/16-14 x 1-1/4 inch swingarm bolts (1) from left and right swingarm bracket (2) and discard bolts.



1. Lower swingarm bolt
2. Rear swingarm and passenger footboard bracket
3. Upper swingarm bolt

Figure 2. Swingarm Bolt Location

NOTE

In the following step, it may be necessary to spread the vertical arms apart in order to position them in line with the lower left and right rear swingarm bracket holes.

3. See Figure 7. Position the display stand (1) around the bottom of motorcycle frame (B) with the vertical arms (H) in line with the lower swingarm bolt holes. From the kit, install the 7/16-14 x 1-1/4 inch swingarm bolts (2) into the lower left (D) and right (E) swingarm bracket locations but do not tighten completely.
4. Swing front of display stand up to the frame support bracket (C).
5. Place plate (3) on top of frame support bracket (C) directly in line with the display stand mounting holes.
6. Insert two 1/4-20 x 7/8 inch long hex head bolts with washers (4) through display stand mounting hole, frame support bracket (C) and into plate (3). Tighten one side until bolt head and washer starts to compress plate. Move to the other side and tighten until bolt head and washer starts to compress plate. Repeat this process with both bolts to bring the display stand mounting hole areas up against the bottom of the frame support bracket (C). At this time, display stand ends (L) will be up against the bottom of the frame (B).

NOTE

In the following step, it may be necessary to place a spacer (1/4 inch thick) between the top of the plate (3) and oil pan fins

in order to hold the plate (3) in position. If required, insert spacer next to one of the 1/4-20 x 7/8 inch long hex head bolts before removing bolt. After removing one 1/4-20 x 7/8 inch long hex head bolt and replacing it with a 1/4-20 x 1/2 inch bolt from kit, repeat process for other bolt. Remove spacer after tightening kit bolts.

7. Apply LOCTITE® 271 (Red) to the two 1/4-20 x 1/2 inch bolt from kit. Remove one 1/4-20 x 7/8 inch long hex head bolt and replace with washer (4) and 1/4-20 x 1/2 inch bolt (5). Do not tighten at this time. Repeat for second 1/4-20 x 1/2 inch bolt.
8. Tighten the 1/4-20 x 1/2 inch bolts (5) to 9 ft-lbs (12.2 Nm).
9. Tighten the left and right 7/16-14 x 1-1/4 inch rear swingarm bolts (2) to 30-40 ft-lbs (41-54 Nm).
10. After the two 1/4-20 x 1/2 inch bolts from kit have been tightened, inspect the area between the display stand tube (top center), the plate (3) and bottom of the oil pan fins. There must be 1/4 to 5/16 inch of clearance between these components.

NOTE

Inspect the brake line and brake harness wires (right side of frame) to verify that they are not pinched between the frame and display stand.

Install Exhaust System

1. See Figure 1. Remove rolled up rag from between the rear exhaust pipe and transmission side cover.

NOTE

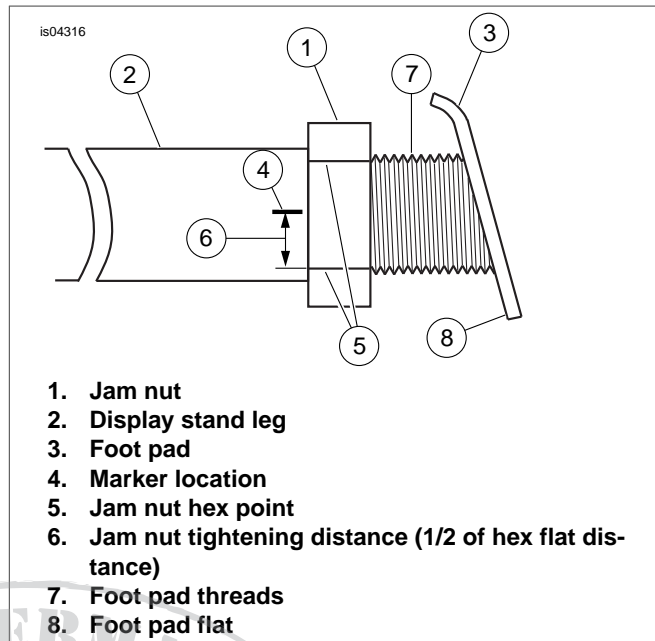
Verify that the exhaust pipes do not contact the motorcycle frame or any mounted components. Contact will cancel the effect of the rubber isolation mounts and transmit vibration to the rider.

2. Using a long 1/2 inch swivel socket, tighten the top nut of the front cylinder head exhaust flange to 9-18 **in-lbs** (1-2 Nm).
3. Tighten the bottom nut to 100-120 **in-lbs** (11.3-13.6 Nm).
4. Final tighten the top nut to 100-120 **in-lbs** (11.3-13.6 Nm).
5. Tighten the bottom nut of the rear cylinder head exhaust flange to 9-18 **in-lbs** (1-2 Nm).
6. Tighten the top nut to 100-120 **in-lbs** (11.3-13.6 Nm).
7. Final tighten the bottom nut to 100-120 **in-lbs** (11.3-13.6 Nm).
8. Tighten the front header pipe heat shield (11) clamp and tighten to 20-40 **in-lbs** (2.3-4.5 Nm).
9. Tighten the rear header pipe heat shield (12) clamp and tighten to 20-40 **in-lbs** (2.3-4.5 Nm).
10. Tighten the rider right hand footboard support bracket cap head screws (not shown) to 30-35 ft-lbs (41-48 Nm).
11. On the right hand side of vehicle, install the transmission clamp (10) and tighten to 20-25 ft-lbs (27-34 Nm).
12. Install the exhaust support bracket (9) using two screws (8) and washers.

For 2006 and earlier models: Apply LOCTITE 243 (blue) to threads and tighten to 13-20 ft-lbs (18-27 Nm).

For 2007 and later models: Apply LOCTITE 243 (blue) to threads and tighten to 25-27 ft-lbs (34-37 Nm).

13. Install Keps nut (7) and tighten to 12-15 ft-lbs (16.3-20.3 Nm).
14. Snug two screws (3) (with lockwashers) holding the right side muffler (4) to the lower saddlebag support rail. Alternately tighten screws to 96-144 **in-lbs** (10.8-16.3 Nm).
15. Snug two screws (3) (with lockwashers) holding the left side muffler (5) to the lower saddlebag support rail. Alternately tighten screws to 96-144 **in-lbs** (10.8-16.3 Nm).
16. Rotate the clamp drive screw (1) on the rear crossover pipe heat shield (2) so that screw is on the outboard side in the most accessible position and then tighten to 20-40 **in-lbs** (2.3-4.5 Nm).
17. Install left side cover.
18. Install saddlebags. Refer to the applicable Service Manual for Saddlebag Installation procedures.



1. Jam nut
2. Display stand leg
3. Foot pad
4. Marker location
5. Jam nut hex point
6. Jam nut tightening distance (1/2 of hex flat distance)
7. Foot pad threads
8. Foot pad flat

Figure 3. Display Stand Leg Adjustment Procedure

WARNING

Connect positive (+) battery cable first. If positive (+) cable should contact ground with negative (-) cable connected, the resulting sparks can cause a battery explosion, which could result in death or serious injury. (00068a)

19. Install battery cables, positive (+) cable first.

ADJUSTING THE DISPLAY STAND

The left hand and right hand feet of the display stand are independently adjustable to vertically level the vehicle with the display stand extended. To adjust the display stand:

NOTE

The display stand can be adjusted with rear tire to ground contact or with rear tire off the ground. With the rear tire to ground contact adjustment, the rear wheel is on the ground but enough weight is on the display stand legs to make the motorcycle stable from side to side and front to back. Using the display stand to center the motorcycle will require effort. With the rear tire off the ground adjustment, the rear tire clears the ground so tire can be rotated for cleaning or maintenance purposes. Using the display stand to lift rear tire off the ground will require more effort.

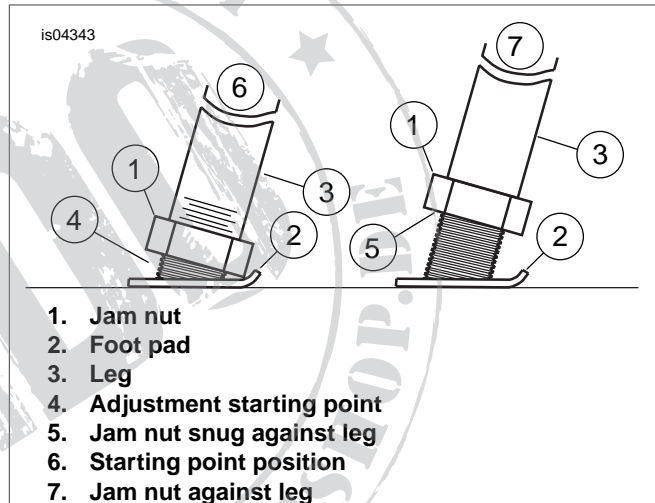
Do not center the vehicle with someone on the vehicle. To reduce effort, remove stored items from Tour-Pak® and saddle bags.

Adjustment Procedure

NOTE

Adjust left hand and right hand foot pads with the display stand retracted and the jiffy stand down to prevent the motorcycle from falling over, which could result in equipment damage.

1. See Figure 5. Position the jiffy stand (3) to support the vehicle.



1. Jam nut
2. Foot pad
3. Leg
4. Adjustment starting point
5. Jam nut snug against leg
6. Starting point position
7. Jam nut against leg

Figure 4. Display Stand Adjustments

2. See Figure 4. For initial adjustment, loosen both jam nuts (1) and turn jam nuts up against foot pad (2).
3. Spin both foot pads with jam nuts all the way into legs (3). See Figure 7. Spin both feet with jam nuts back out until flat (K) faces down. Do not tighten jam nut at this time. See Figure 4. This is the starting point position (6) for all models.

Adjustment Procedure for FLHX or Lowered Touring Models:

- Tire on ground: See Figure 4. Use starting point position (6).
- Tire off ground: From starting point position (6), rotate foot pad (2) out 7 turns.

Adjustment Procedure for all Touring Models Except FLHX and Lowered Vehicles:

- Tire on ground: See Figure 4. From starting point position (6), rotate foot pad (2) out 9 turns.
- Tire off ground: From starting position (6), rotate foot pad (2) out 17 turns.

NOTE

Proceed to "Using The Display Stand" section. Display stand must be engaged to properly set foot pads in the correct position.

4. See Figure 3. With a grease pencil or suitable marker, draw a line (4) on the display stand leg (2) half way between jam nut hex points (5).
5. Using an adjustable wrench to hold foot pad, tighten the jam nut half the distance of the jam nut flat area (6) to lock display stand leg into position.
6. Repeat Steps 4 and 5 for other leg.
7. Proceed to "Retract Display Stand" section.

USING THE DISPLAY STAND

Engage Display Stand:

⚠ WARNING

When using this display stand, do not park on inclined surfaces with the motorcycle front pointing downhill. The vehicle could roll off the stand and fall, resulting in death or serious injury. (00524b)

⚠ WARNING

Never start engine when motorcycle is on display stand. Motorcycle could fall resulting in death or serious injury. (00548b)

1. See Figure 5. With the vehicle on a level surface, in neutral, jiffy stand down (3) and standing on the left side of the vehicle, lift the left passenger footboard (1) or peg.
2. See Figure 6. Hold the left handgrip (2) with your left hand, straighten front wheel and then hold the top of the left-rear guard (3) (if equipped) with your right hand.
3. See Figure 5. Place your right foot on the display-stand foot lever (2) to lower the display-stand foot pads to the floor.
4. Brace your right foot against the foot lever and push lever towards floor surface. Center vehicle on both feet.
5. See Figure 6. Once centered on both feet, push down on lever and lift vehicle rearward to ease the vehicle onto the display stand (4).

NOTE

Because the jam nuts are loose, the foot pads should adjust to floor surface.

6. Check that both foot pads are making solid contact with the ground surface and that the rear tire is in the position that you want. If not, retract the display stand and proceed to "Retract Display Stand" procedure. Adjust foot pads and then repeat "Using Display Stand" procedure.

7. See Figure 3. If foot pads are adjusted correctly, then snug jam nuts (1) up against display stand legs (2) and proceed to Step 4, under "Adjustment Procedure".

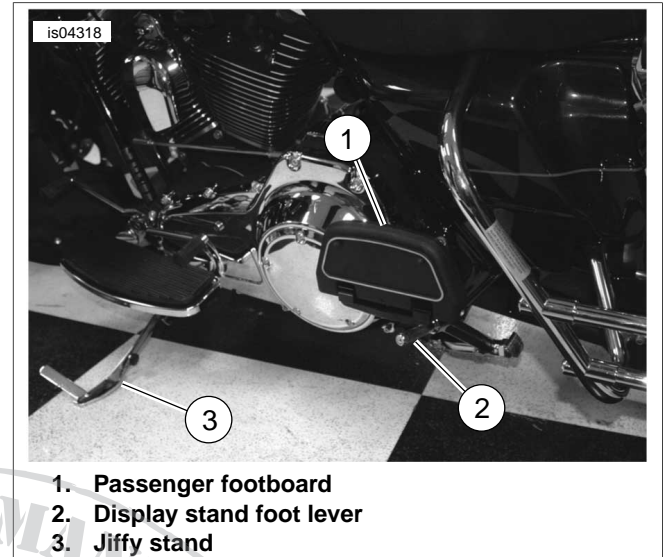


Figure 5. Display Stand, Not Engaged

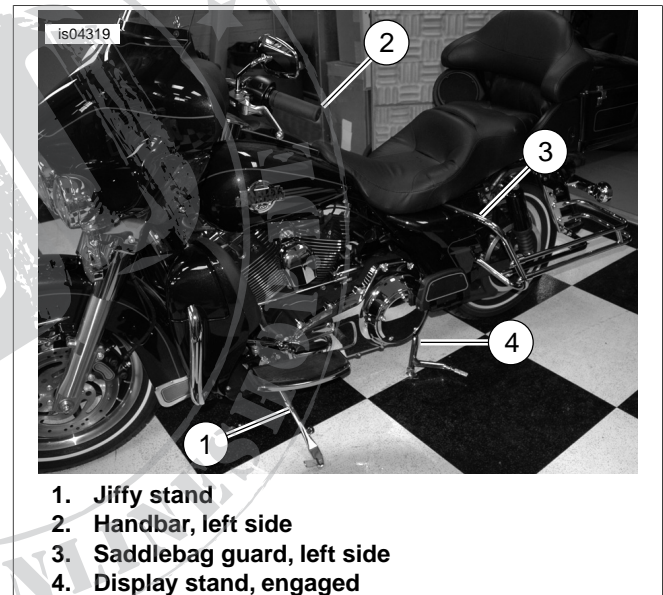


Figure 6. Display Stand, Engaged

Retract Display Stand:

NOTES

The display stand **MUST** not make contact with muffler components or the rear passenger footboard supports. Check that these components are not making contact with the display stand.

A grease fitting is provided at the rear-center of the stand. Lubricate the stand at regular intervals with a good quality grease.

When using a motorcycle lifting device, do not allow motorcycle lifting device to come in contact with the display stand. Damage may occur to display stand.

One can retract the center display stand with the rider on the vehicle or when one is standing next to the left side of the vehicle.

1. See Figure 5. With the vehicle in neutral and on a level surface, hold the left handgrip with your left hand and then hold the right hand grip with your right hand covering the front hand brake lever.
2. Push forward (toward the front of motorcycle) on handlebar grips until display stand is retracted. As vehicle comes off display stand, use front brake lever as needed until display stand disengages.
3. Engage the jiffy stand (3).



SERVICE PARTS

is04299

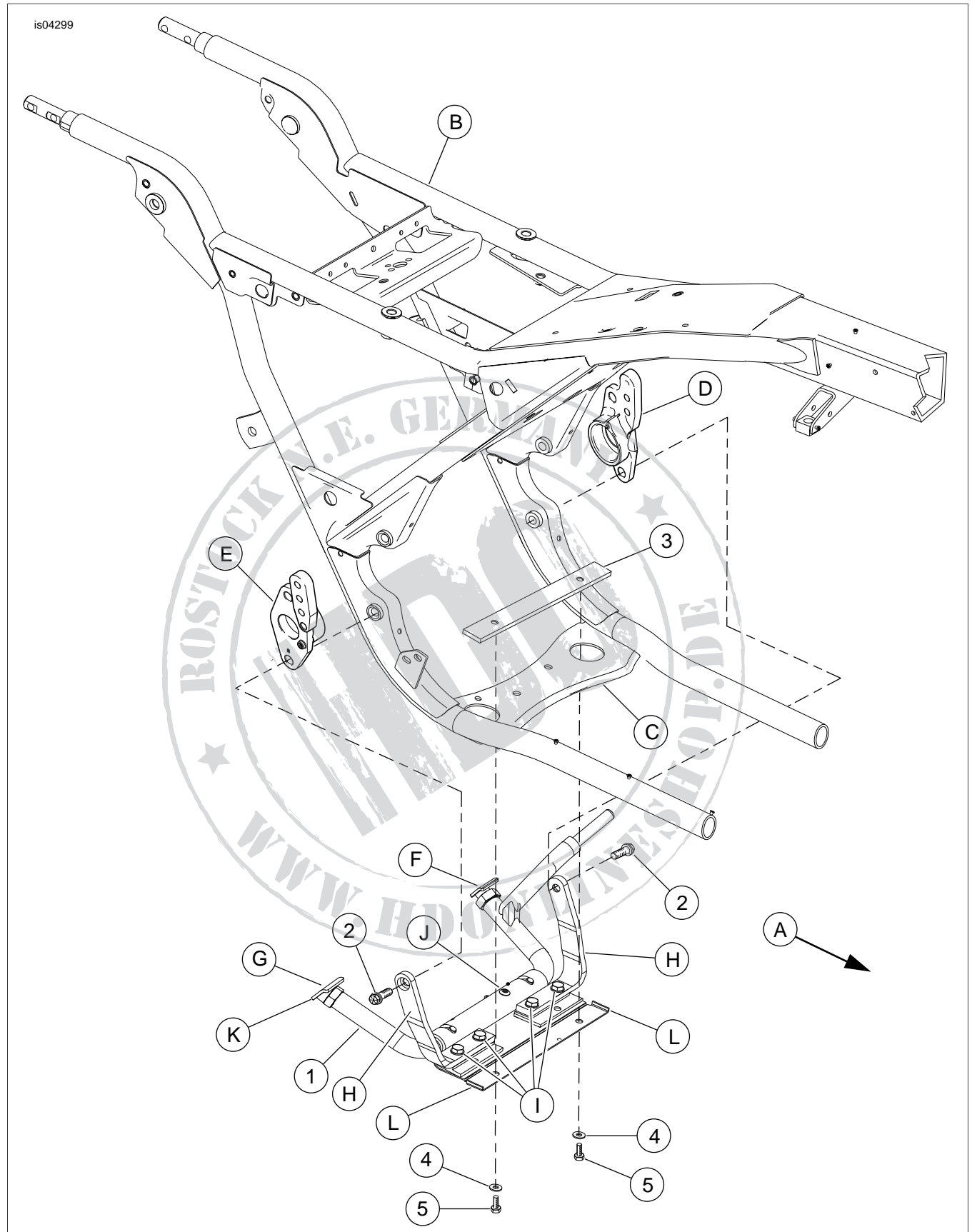


Figure 7. Service Parts: Chrome Display Stand Kit

Table 1. Service Parts: Chrome Display Stand Kit

Item	Description (Quantity)	Part Number	Item	Description (Quantity)	Part Number
1	Display stand	Not Sold Separately	A	Front of vehicle	Reference only
2	Bolt, hex head, 7/16-14 x 1-1/4 inch (2)	3057	B	Frame	Reference only
3	Plate	Not Sold Separately	C	Frame support bracket	Reference only
4	Washer (2)	6703	D	Left hand rear swingarm bracket	Reference only
5	Bolt, 1/4-20 x 1/2 inch (2)	3728	E	Right hand rear swingarm bracket	Reference only
6	Bolt, 1/4-20 x 7/8 inch (2) (not shown)	3802W	F	Left hand foot	Reference only
			G	Right hand foot	Reference only
			H	Vertical arm	Reference only
			I	Factory installed bolts, DO NOT LOOSEN, TIGHTEN or REMOVE	Reference only
			J	Factory installed set screw, DO NOT LOOSEN, TIGHTEN or REMOVE	Reference only
			K	Foot flat down	Reference only
			L	Display stand ends	Reference only

