



INSTRUCTIONS

-J04751

2010-01-12

NOSTALGIC SADDLEBAG GUARD RAIL KIT

GENERAL

Kit Numbers

91286-09, 91286-10

Models

For model fitment information, see the P&A Retail Catalog or the Parts and Accessories section of www.harley-davidson.com (English only).

▲ WARNING

The rider's safety depends upon the correct installation of this kit. If the procedure is not within your capabilities or you do not have the correct tools, have a Harley-Davidson dealer perform the installation. Improper installation of this kit could result in death or serious injury. (00308a)

Kit Contents

See Figure 1 and Table 1.

Additional Parts Required

For FLTR models and 2010 FLTRX models: Separate purchase of Saddlebag Guard Kit (49282-09) is required and is available from a Harley-Davidson Dealer.

REMOVAL

1. If desired, remove the saddlebags.

SERVICE PARTS

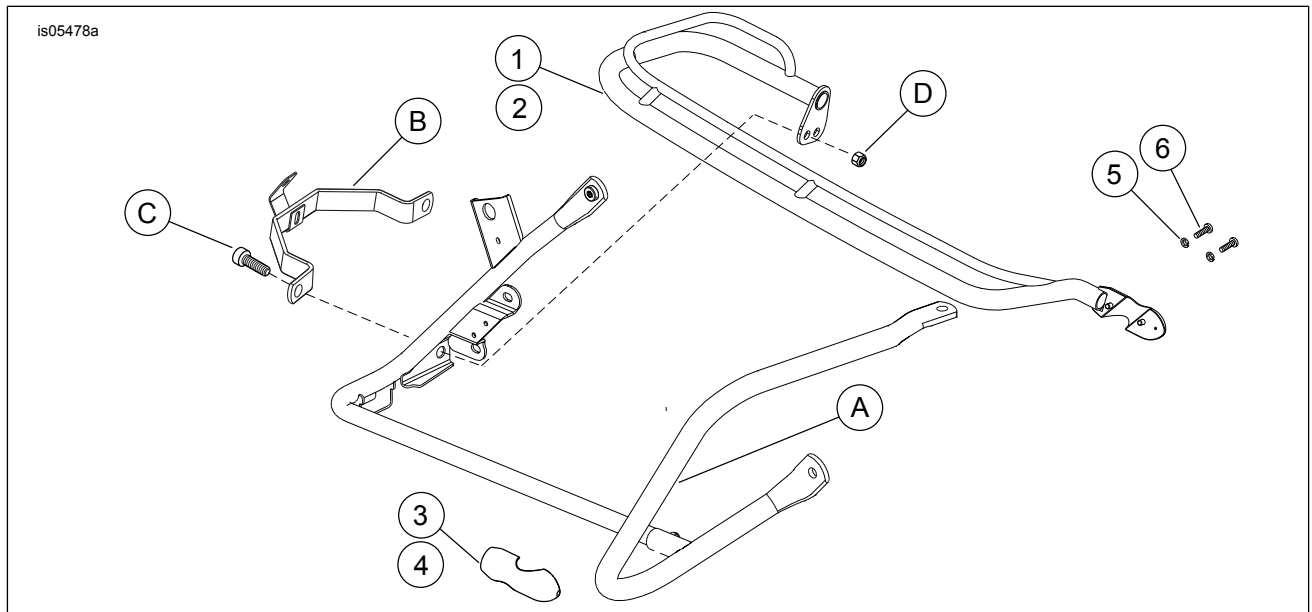


Figure 1. Service Parts: Nostalgic Saddlebag Guard Rail Kit (Kit 91286-10 Shown)

2. Remove screws (C) and locknuts (D). Save for installation.

INSTALLATION

1. For FLTR models and 2010 FLTRX models: Install Saddlebag Guard Kit (49282-09) following the instructions in that instruction sheet.
2. See Figure 1. Position the correct saddlebag guard rail (1 or 2) over the saddlebag guard and support assembly (A). Loosely install the screw (C) through the saddlebag-to-fender support bracket (B), through the saddlebag support (A) and through the inner hole of the saddlebag guard rail bracket. Install nut (D). Tighten finger-tight.
3. Install screws (6) and washers (5) through the clamp end of the saddlebag guard rail. Position clamp end around the upright of the saddlebag guard and install the clamp (3 or 4). Tighten screws finger-tight.
4. Align the saddlebag guard rail (1 or 2) parallel to the bottom of the saddlebag and muffler. Tighten the cap screw (C) and locknut (D) to 20–27 N·m (15–20 ft-lbs).
5. Tighten the clamp screws (6) to 2.5 N·m (22 in-lbs).
6. Repeat all steps for the other side of the motorcycle.
7. Install the saddlebags, if removed.

Table 1. Service Parts Table

Kit Number	Item	Description (Quantity)	Part Number
Kit 91286-09			
	1	Saddlebag guard rail, right (not shown)	91289-09
	2	Saddlebag guard rail, left (not shown)	91288-09
Kit 91286-10			
	1	Saddlebag guard rail, right	91289-10
	2	Saddlebag guard rail, left (not shown)	91288-10
Items Common to All Kits			
	3	Clamp, right	90937-04
	4	Clamp, left (not shown)	90938-04
	5	Lockwasher (4)	7069
	6	Screw (4)	94383-92T
Items mentioned in text, but not included in kit:			
A	Stock saddlebag guard and support assembly (separate purchase for FLTR and 2010 FLTRX models)		
B	Stock saddlebag-to-fender support bracket		
C	Stock cap screw		
D	Stock nut		