



INSTRUCTIONS

-J03205

REV. 03-25-2004

Kit Number 91274-04

CHROME THROTTLE CABLE CLIP

General

This kit fits all 1984 and later Harley-Davidson® motorcycles.

See Service Parts illustration for the contents of this kit.

NOTE

A Service Manual for your motorcycle is available from your Harley-Davidson dealer.

Installation

1. If present, remove and discard the plastic clip from around the throttle and idle cables.
2. Locate the chrome throttle cable clip to avoid damage to finished surfaces.
3. See the Service Parts illustration. Capture the cables in the half-rounds between the top (1) and bottom (2) clamp.
4. Place a drop of Loctite® 243 (blue) on the button head screw (3) threads and secure the top clamp to the bottom clamp.
5. Tighten the button head screw.



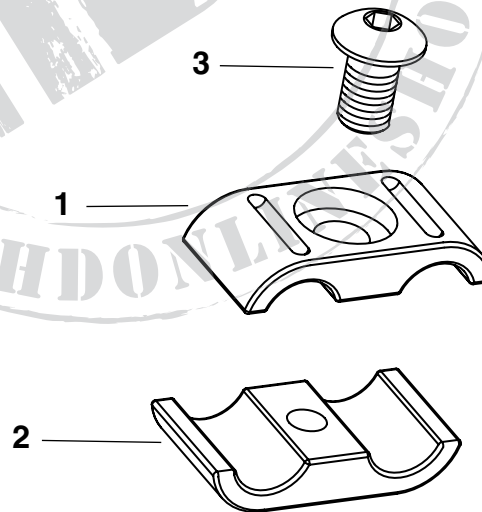
Service Parts

Part No. 91274-04

Date 03/04

Chrome Throttle Cable Clip

i06292



Item	Description (Quantity)	Part No.
1	Top cable clamp	Not Sold Separately
2	Bottom cable clamp	Not Sold Separately
3	Button head screw	Not Sold Separately