



# INSTRUCTIONS

-J02432

REV. 2006-12-18

## BILLET CHROME CABLE-BRACKET KIT

### GENERAL

These Billet Chrome Cable Bracket Kits are intended to hold the clutch cable along the downtube on the frame.

#### Kit Number

91147-02, 91252-03, 38804-07

#### Models

For models fitment information, please see the P&A Retail Catalog or the Parts and Accessories section of [www.harley-davidson.com](http://www.harley-davidson.com).

#### Additional Parts

##### NOTE

Proper installation of this kit requires the use of **LOCTITE® Threadlocker 243 (blue)** (Harley-Davidson Part Number 99642-97).

#### Kit Contents

See Figure 2 and Table 1.

### INSTALLATION

##### NOTE

To prevent damage to and malfunction of the clutch cable, do not pinch. Avoid sharp bends in the cable when mounting the cable in the cable bracket.

1. See Figure 2. Apply LOCTITE 243 (blue) to the screw (1).
2. See Figure 1. Position the two halves of the cable bracket (1) on the frame (2) and cable (3) as shown. Mount the bracket between the clutch-cable boot and the bottom of the frame. Position the clamp so that the cable is to the outside of the frame down tube.

3. Check to ensure the fender will not strike the bracket when the forks are fully compressed.
4. Tighten screw to 8-10 ft-lbs (10.8-13.5 Nm).

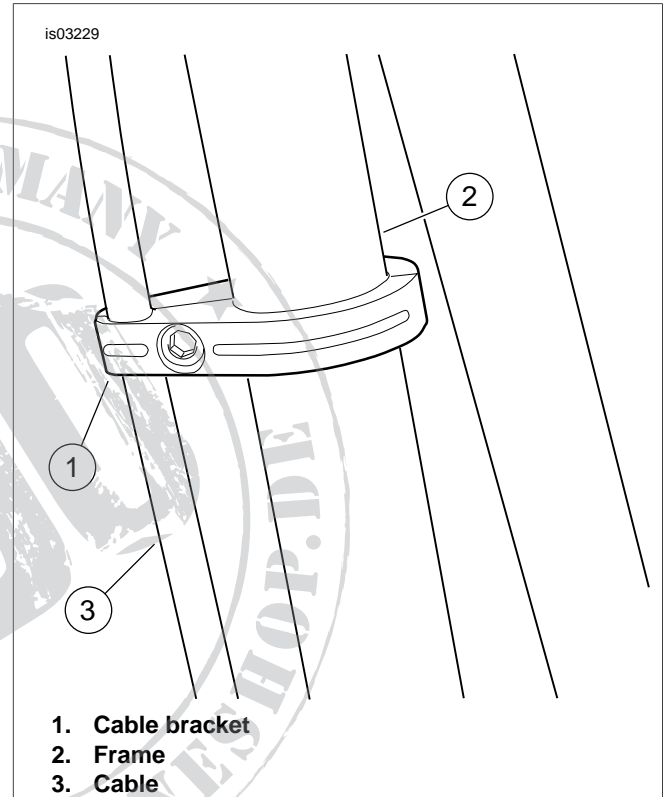


Figure 1. Bracket Installed

## SERVICE PARTS

is03328

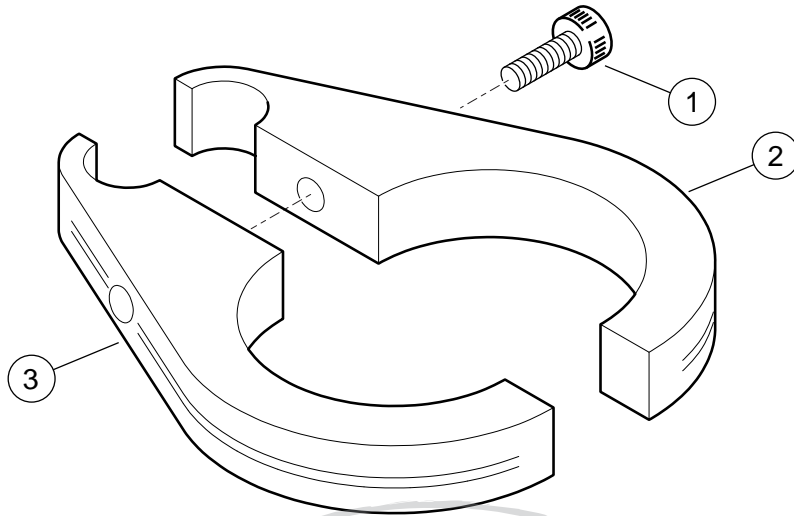


Figure 2. Service Parts: Billet Chrome Cable-Bracket Kit

Table 1. Service Parts Table

Item	Description (Quantity)	Part Number
1	Cap screw, socket-head	94311-91T
2	Bottom cable clamp	Not sold separately
3	Top cable clamp	Not sold separately