



INSTRUCTIONS

-J01587

REV. 2010-11-05

LEATHER FUEL TANK PANEL

GENERAL

Kit Number

61770-00, 91001-01, 91129-01, 91134-01, 91407-00, 91408-00, 91409-00, 91003-03, 91469-06, 91621-07, 91758-07, 91135-09, 91643-09, 70900103

Models

For model fitment information, see the P&A retail catalog or the Parts and Accessories section of www.harley-davidson.com (English only).

Additional Parts Required

Installation of Tank Panel Kits 91469-06, 91621-07, 91758-07, 91135-09 and 70900103 on **1993-2003 FXDWG and FXDC, FXDF** models requires separate purchase of adhesive clips (10102) and O-ring (11174). See Table 1.

Kit Contents

See Figure 5, Table 1 and Table 2.

INSTALLATION

Softail Models

NOTE

Generic leather tank panel shown for illustration purposes.

1. Refer to owner's manual for removal of seat.

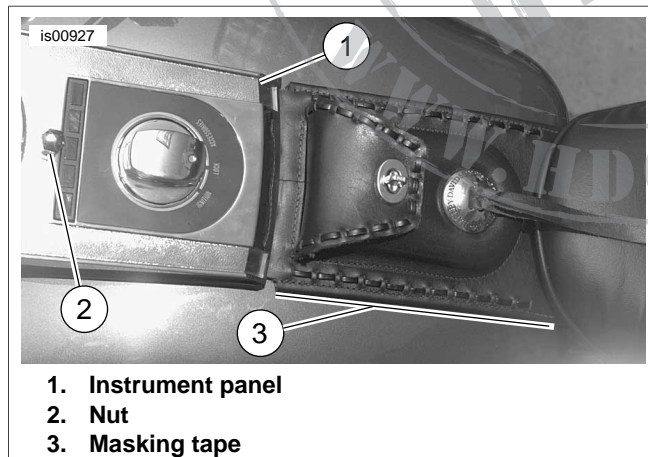


Figure 1. Leather Fuel Tank Panel Installed

2. See Figure 1. Remove nut (2) securing instrument panel (1). Gently lift instrument panel up and turn it so stock fuel tank panel front end is uncovered.
3. Place a shop towel under instrument panel and set instrument panel on fuel tank.
4. See Figure 2. Remove lower mounting screw and washer (1) and retain for reinstallation.

5. Lay leather tank panel on tank in desired position.
6. Install screw and washer saved in Step 4 into hole on tank panel. Tighten screw finger tight.

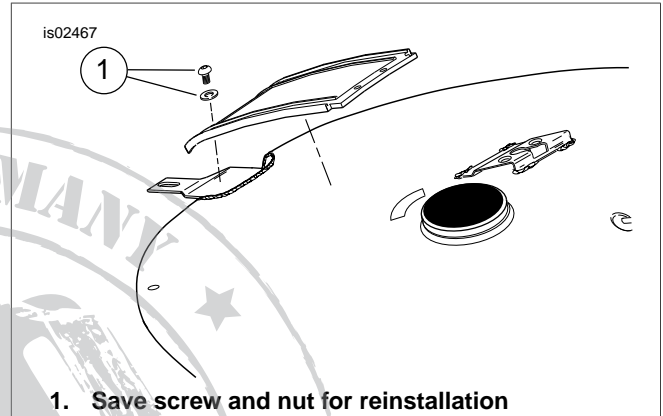


Figure 2. Softail Tank Panel Installs With Original Screw And Nut

7. See Figure 1. Install instrument panel (1) and tighten nut (2) to 8 ft-lb (11 Nm).
8. Tighten lower mounting screw.

WARNING

After installing seat, pull upward on seat to be sure it is locked in position. While riding, a loose seat can shift causing loss of control, which could result in death or serious injury. (00070b)

9. Install seat on the motorcycle by inserting the tab at front of seat into slot at the rear of fuel tank. Secure seat to fender with screw.

FXDWG, FXDC and FXDF

NOTE

Generic leather tank panel shown for illustration purposes.

1. Refer to owner's manual for removal of seat.
2. **1993-2003 Models:** Figure 1. Remove nut (2) securing instrument panel (1). Gently lift instrument panel up and turn it so stock fuel tank panel front end is uncovered. **2004 and later Models:** See Figure 4. Remove two screws (1) securing instrument panel.
3. Place a shop towel under instrument panel and set instrument panel on fuel tank.

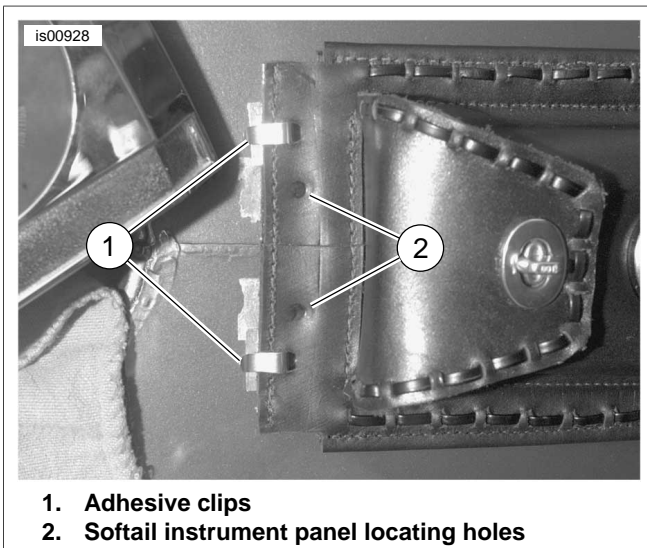


Figure 3. Adhesive Clips At Front Of Panel

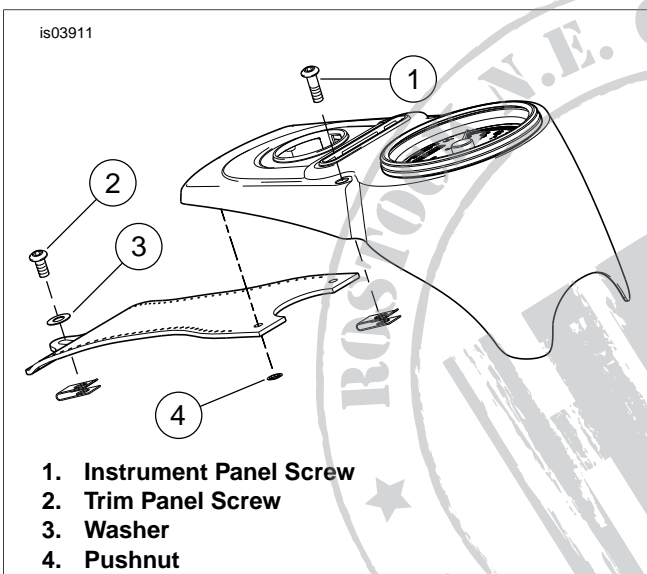


Figure 4. Tank Panel-2004 & Later Dyna Fitments

fastening the upper tank panel to the instrument panel. Skip to Step 10.

NOTE

Be careful not to scratch paint on fuel tank when removing the adhesive clips.

5. **1993-2003 Models:** Carefully remove the stock adhesive clips from fuel tank with a sharp knife. Do not scratch paint on fuel tank.
6. **1993-2003 Models:** Clean fuel tank top, where adhesive clips were mounted, with rubbing alcohol to remove wax/dirt.
7. **2004 and later Models:** Install screw and washer saved in Step 4 into hole on tank panel. Tighten screw finger tight.
8. Lay leather tank panel on tank in desired position.
9. Temporarily place the instrument panel back in position and finger tighten.
10. See Figure 1. Align the leather fuel tank panel with the instrument panel (1). Mark the location on the fuel tank with masking tape (3) placed along the side of the tank panel. Also mark location of top edge.
11. Remove the instrument panel (1) from the tank.
12. See Figure 3. Install adhesive clips (1) on leather fuel tank panel and remove paper backing from adhesive pads.
13. Use the masking tape as a guide to position panel. Press adhesive clips down on fuel tank. Press down on adhesive clips for 1 minute to allow adhesive to set.
14. **1993-2003 Models:** See Figure 1. Install instrument panel (1) to fuel tank and tighten nut (2) to 8 ft-lb (11 Nm).
2004 and later Models: See Figure 4. Install instrument panel using screws (1) to fuel tank. Tighten screws to 18-24 in-lb (2.0-2.7 Nm).
15. **1993-2003 Models:** The bottom or rear edge of this panel is secured with an O-ring the same as the stock tank panel.

WARNING

After installing seat, pull upward on seat to be sure it is locked in position. While riding, a loose seat can shift causing loss of control, which could result in death or serious injury. (00070b)

4. **1993-2003 Models:** See Figure 3. Remove O-ring securing rear end of stock leather fuel tank panel (note position of O-ring). Open metal tabs on adhesive clips at front end of stock leather fuel tank panel and remove stock tank panel.
2004 and later Models: See Figure 4. Remove lower mounting screw (2) and washer (3) and set aside to reuse. Lift instrument panel and carefully remove pushnuts (4)

16. Install seat on the motorcycle by inserting the tab at front of seat into slot at the rear of fuel tank. Secure seat to fender with screw.

SERVICE PARTS



Figure 5. Service Parts: 1993-2003 FXDWG Models

Table 1. Service Parts: For Kits 61770-00, 91001-01, 91129-01, 91134-01, 91407-00, 91408-00, 91409-00, 91003-03

Item	Description (Quantity)	Part Number
1	Adhesive clip (2)	10102
2	O-ring	11174
3	Tank panel (generic panel shown)	Not Sold Separately

Table 2. Service Parts For Kit 91469-06

Item	Description (Quantity)	Part Number
1	Concho Replacement Kit	91481-06
2	Tank panel (generic panel shown)	Not Sold Separately

Table 3. Service Parts: For Kit 91758-07

Item	Description (Quantity)	Part Number
1	Decorative Spot	88269-07
2	Pushnut (2)	8126A
3	Tank Panel (generic panel shown)	Not Sold Separately

Table 4. Service Parts: For Kits 91621-07, 91135-09, 91643-09, 70900103

Item	Description (Quantity)	Part Number
1	Tank panel (generic panel shown)	Not Sold Separately