



INSTRUCTIONS

-J04193

REV. 2007-05-01

TRI-BAR REAR FENDER EXTENSION LIGHT

GENERAL

Kit Number

91066-07

Models

For model fitment information, please see the P&A Retail Catalog or the Parts and Accessories section of www.harley-davidson.com (English only).

Additional Parts Required

Heat Gun (HD-25070) and 3M® General Purpose Adhesive Remover (Part Number 051135).

⚠ WARNING

The rider's safety depends upon the correct installation of this kit. If the procedure is not within your capabilities or you do not have the correct tools, have a Harley-Davidson dealer perform the installation. Improper installation of this kit could result in death or serious injury. (00308a)

Kit Contents

See Figure 3 and Table 1.

REMOVE

Models with Fender Tail Lamp

1. See Figure 1. Remove two screws to disconnect tail lamp lens from chrome base (1). Save screws for reuse.
2. Disconnect fender tail lamp harness connector (2) from tail lamp socket.
3. Disconnect fender tip lamp harness connector (3) from tail lamp socket.
4. Disconnect fender tip lamp harness from clip inside fender below left side of the tail lamp housing and from stamped fender clip.
5. Insert blade of small screwdriver into slot at top of fender lamp lens. Rotate screw driver to unsnap lamp lens

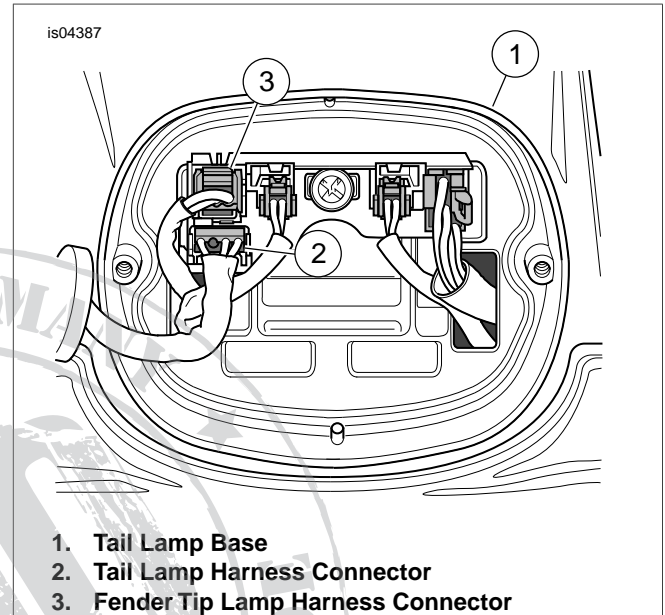


Figure 1. Tail Lamp Base

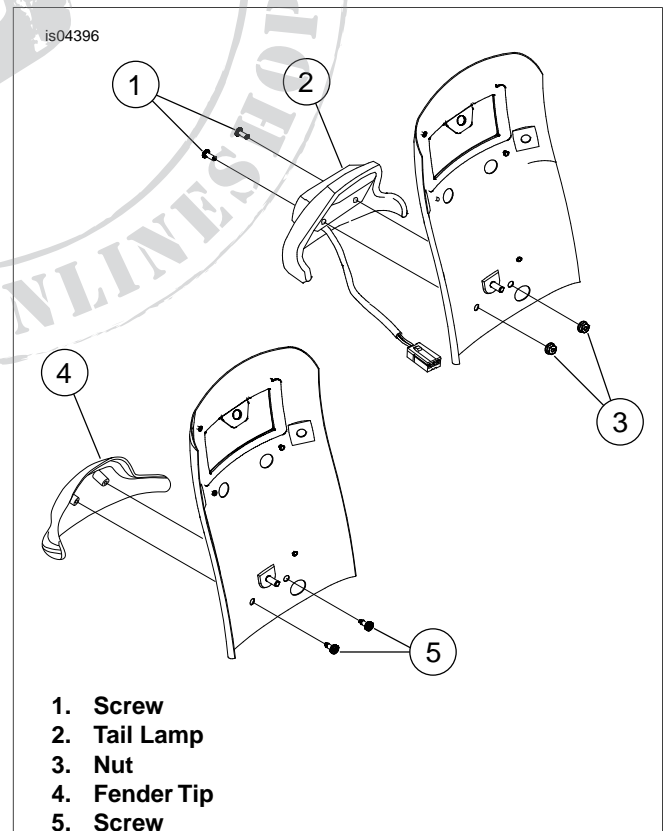


Figure 2. Rear Fender Tip and Tail Lamp

6. See Figure 2. Holding inner fender nuts behind fender tip lamp, remove two TORX® screws (1) to release fender tip lamp base (2). Pull lamp away from fender to draw out wire harness.

Models with Rear Fender Tip (No Lamp)

1. See Figure 2. From underside of fender remove two screws (5) and fender tip (4) from fender.

INSTALL

1. See Figure 3 and Table 1. Snap tabs of tri-bar fender lamp (6) into slots of tri-bar housing fascia (1).
2. Position mounting bracket (7) as shown and attach to housing fascia using two self-tapping screws (8). Tighten screws to 18-22 **in-lbs** (2.1-2.5 Nm).
3. Position fascia (1) on fender to slide it up so that tab of mounting bracket (7) catches inside of fender.
4. Attach fascia to fender using stud plate (2), washers (4) and nuts (5). Tighten nuts to 10-40 **in-lbs** (1.1-4.5 Nm).
5. Route lamp harness inside fender attaching it to fender tang and up to harness clip near lower left of tail lamp housing.

6. For FLTR and FLHRS Models:

- a. Remove the cloisonne from the rear fender using Heat Gun by carefully applying heat to the cloisonne.
 - b. Remove remaining adhesive with 3M General Purpose Adhesive Remover.
 - c. Position the fascia on the fender so that the top inside lip of the fascia butts up against the bottom edge of the fender. With the fascia as a template, mark the location of the two fascia holes.
 - d. Remove the fascia and apply a good quality masking tape to the fender to cover the marked hole locations.
 - e. Position the fascia again to the fender and mark the hole locations on the masking tape. Remove the fascia and prick punch the hole locations.
 - f. Carefully drill the mounting holes in the marked locations. Start with a 1/16 inch drill bit and finish with a 1/4 inch drill bit. Remove masking tape.
 - g. Position fascia (1) on fender to slide it up so that tab of mounting bracket (7) catches inside of fender.
 - h. See Figure 3 and Table 1. Attach fascia to fender using stud plate (2), washers (4) and nuts (5). Tighten nuts to 10-40 **in-lbs** (1.1-4.5 Nm).
7. See Figure 1. Slip harness connector through opening in lower left of tail lamp housing and connect to socket (3).
 8. Connect tail lamp harness to socket (2) in the tail lamp base (1) and install tail lamp lens to housing with screws from Step 1. Tighten screws to 20-24 **in-lbs** (2.3-2.7 Nm).

SERVICE PARTS

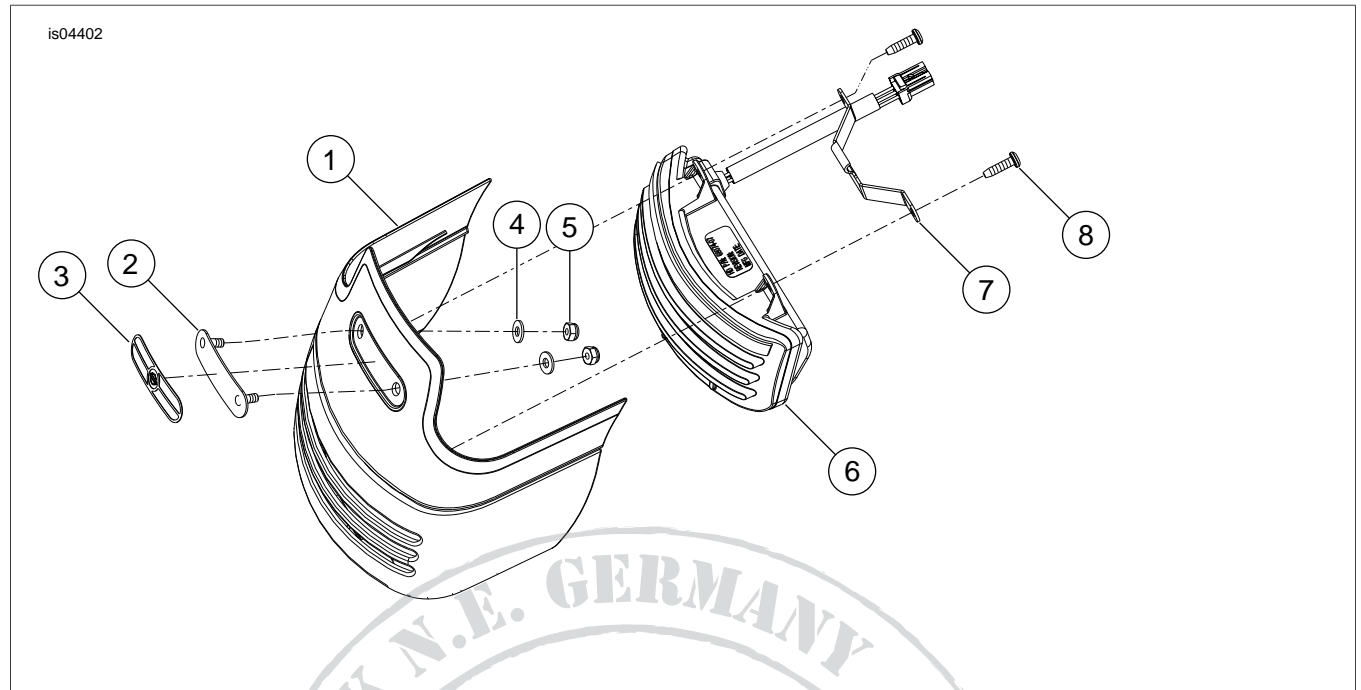


Figure 3. Service Parts: Tri-Bar Rear Fender Fascia Kit

Table 1. Service Parts Table

Item	Description (Quantity)	Part Number
1	Fascia, tri-bar housing	68097-07
2	Stud plate, tri-bar	68099-07
3	Medallion, tri-bar fender light	92004-07
4	Washer, plain 0.19 inch (2)	6716
5	Nut, lock, 10-32 (2)	7626W
6	Light, tri-bar, run/brake	68074-07
7	Bracket, mounting, tri-bar fender light	68156-07
8	Screw, 12-16, self tapping (2)	3596