



# INSTRUCTIONS

-J04919

2009-06-23

## SADDLEBAG EXTENSION KIT

### GENERAL

#### Kit Number

90999-09

#### Models

For model fitment information, see the P&A Retail Catalog or the Parts and Accessories section of [www.harley-davidson.com](http://www.harley-davidson.com) (English only).

**This kit must be installed by an authorized Harley-Davidson Dealer. Proper installation of this kit requires special materials, tools or training only available through an authorized dealer.**

#### Additional Parts Required

Separate purchase of Lord Fusor<sup>®</sup> Adhesive 152 (10.1 oz) (300 mL) or 153 (1.7 oz) (50 mL). Applied properly, the 1.7 ounce bottle will be enough for both saddlebag extensions.

Loctite<sup>®</sup> 262, Threadlocker and Sealant (94759-99) is required for proper installation of this kit. See a Harley-Davidson dealer.

#### ▲ WARNING

**The rider's safety depends upon the correct installation of this kit. Use the appropriate service manual procedures. If the procedure is not within your capabilities or you do not have the correct tools, have a Harley-Davidson dealer perform the installation. Improper installation of this kit could result in death or serious injury. (00333a)**

#### NOTE

*This instruction sheet references service manual information. A service manual for your model motorcycle is required for this installation and is available from a Harley-Davidson Dealer.*

#### Kit Contents

See Figure 3 and Table 1.

### INSTALLATION

1. Have extensions primed and painted prior to installation.
2. Refer to the service manual to remove the saddlebags.
3. Wash the saddlebags so that they are clean and free of any dirt, grease, road grime or foreign substances that would prevent the adhesive on the extensions from making a good bond with the saddlebags.
4. See Figure 3. Remove the rear saddlebag support cushion and install cushion (8).

5. See Figure 1. Apply masking tape to the painted surface of the saddlebag at the approximate drilling points on the mounting surface side of the saddlebag. Lay the saddlebag on a clean, soft cloth with the mounting side facing up. Measure carefully and mark the drilling points (1 and 2) with a grease pencil (or similar).
6. Drill two holes into the saddlebag with a 7/32 inch drill bit through the masking tape. Clean excess material from the holes, remove the masking tape and any debris from the inside of the saddlebag.
7. See Figure 3. Install the saddlebag bumper (9) by pulling the two rubber prongs through the drilled holes. Cut off the stem at the top of the crown after installation.
8. Position the extension on the saddlebag and check the fit. If the alignment is acceptable, mark the bottom of the saddlebag at the screw bosses for drilling.
9. Remove the extension and drill the five holes in the bottom of the saddlebag using a 3/8 inch drill bit.
10. Apply the adhesive to the extension as shown in Figure 2 and install the extension to the saddlebag following the adhesive manufacturer's instructions. Clamp or apply pressure for 30 minutes.
11. See Figure 3. When the adhesive has set, place the stud plate assemblies (3) in the drilled holes inside the saddlebag. Install the washers (5) and apply Loctite 262 to the screws (4). Tighten screws to 0.7–0.9 N·m (6–8 in-lbs).
12. Apply the appropriate wear strip (1 or 2) to the bottom of the extension as shown in Figure 3.
13. Repeat Steps 4 through 12 for the opposite saddlebag.
14. Refer to the service manual to install the saddlebags.

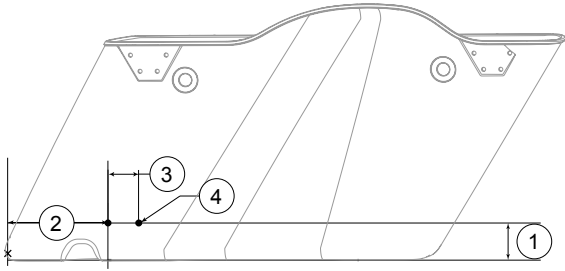
-J04919



Many Harley-Davidson<sup>®</sup> Parts & Accessories are made of plastics and metals which can be recycled. Please dispose of materials responsibly.

1 / 3

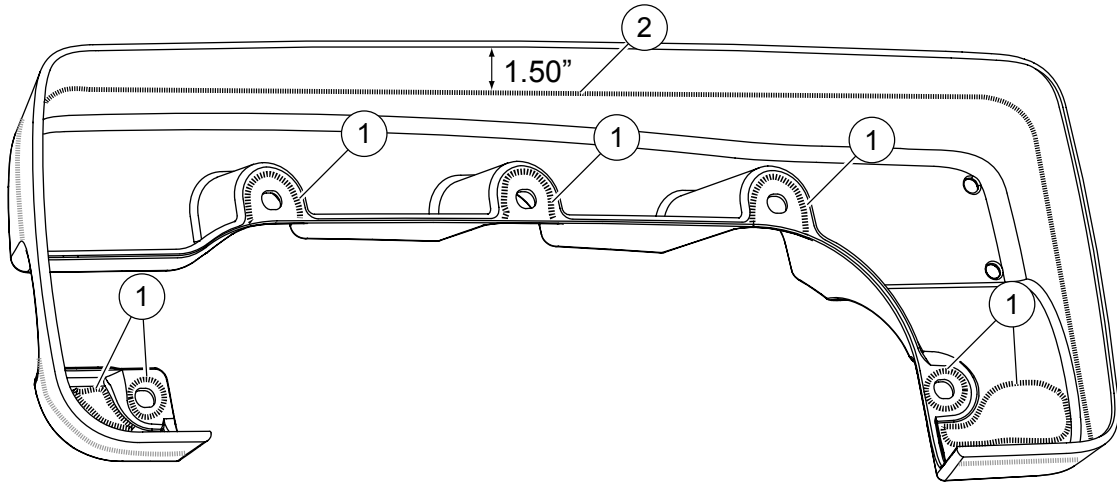
is06037



1. Hole location 1.375 inch (35 mm) from bottom of saddlebag
2. Hole location 5.0 inch (127 mm) from lower back corner of saddlebag
3. 1.50 inch (38 mm) between holes
4. 0.219 inch (7/32) drill hole size

Figure 1. Drill Hole Locations for Saddlebag Bumper

is06039



1. Apply 0.25 inch (6.4 mm) bead of adhesive as shown
2. Apply 0.25 inch (6.4 mm) inside bead of adhesive 1.5 inches (38 mm) from top of extension

Figure 2. Applying Adhesive to Inside of Saddlebag Extension

# SERVICE PARTS

is06036

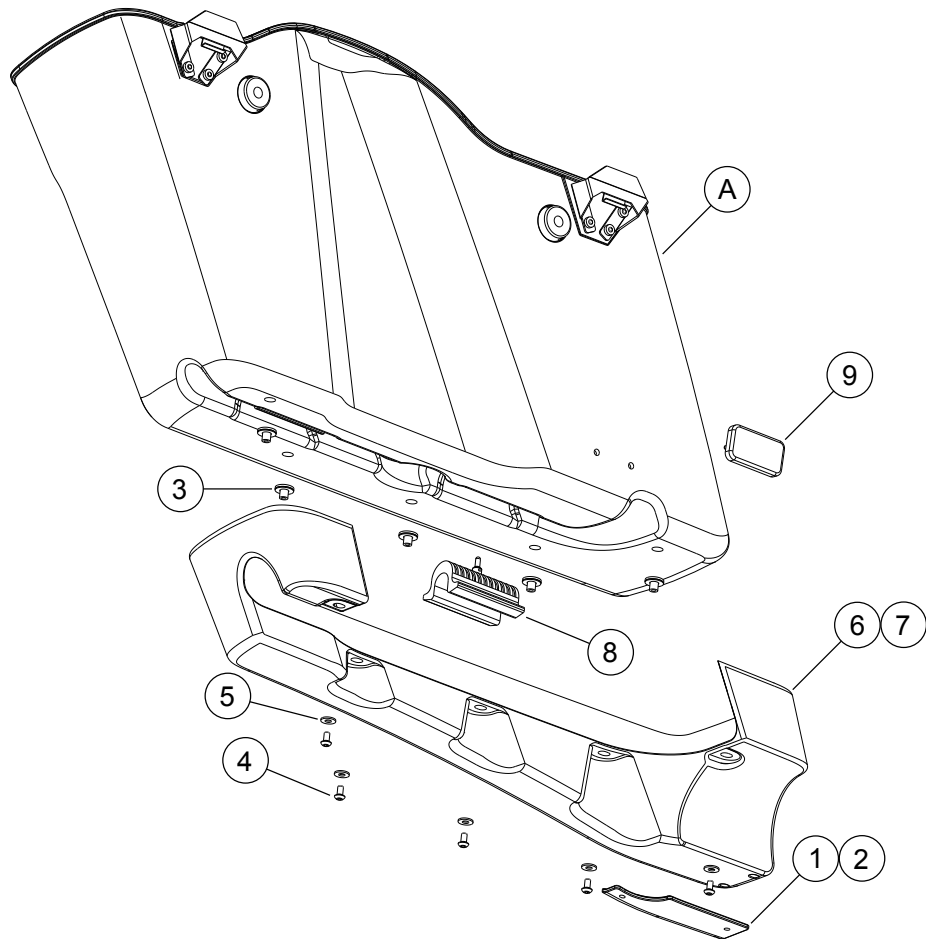


Figure 3. Service Parts: Saddlebag Extension Kit

Table 1. Service Parts Table

Item	Description (Quantity)	Part Number
1	Saddlebag wear strip, left side	88335-09
2	Saddlebag wear strip, right side	88336-09
3	Stud plate assembly (10)	90866-09
4	Hex socket button head screw (10)	3007
5	Plain washer, type A (10)	6716
6	Saddlebag extension, left side	Not Sold Separately
7	Saddlebag extension, right side	Not Sold Separately
8	Saddlebag support cushion	88334-09A
9	Saddlebag bumper	88337-09
<b>Items shown in illustration but not included in kit</b>		
A	Saddlebag	