



INSTRUCTIONS

-J03837

REV. 2008-11-04

DYNA RIGID MOUNT SADDLEBAGS

GENERAL

Kit Number

79300-06C, 88224-06, 88200-09, 90369-06C, 90564-06C, 91615-09

Models

For model fitment information, see the P&A Retail Catalog or the Parts and Accessories section of www.harley-davidson.com (English only).

Additional Parts Required

Separate purchase and installation of additional parts or accessories may be required for proper installation of this kit on your model motorcycle. Please see the P&A Retail Catalog or the Parts and Accessories section of www.harley-davidson.com (English only) for a list of required parts or accessories for your model.

WARNING

The rider's safety depends upon the correct installation of this kit. Use the appropriate service manual procedures. If the procedure is not within your capabilities or you do not have the correct tools, have a Harley-Davidson dealer perform the installation. Improper installation of this kit could result in death or serious injury. (00333a)

NOTE

This instruction sheet references service manual information. A service manual for your model motorcycle is required for this installation and is available from a Harley-Davidson Dealer.

Kit Contents

See the SERVICE PARTS section at the end of this instruction sheet for the contents of these kits.

INSTALLATION

WARNING

Do not exceed saddlebag weight capacity. Put equal weight in each bag. Too much weight in saddlebags can cause loss of control, which could result in death or serious injury. (00383a)

NOTES

Refer to the labels in the saddlebags for maximum weight capacity.

To simplify installation, raise the motorcycle on a motorcycle lift and remove the lower bolt from both rear shock absorbers, (to allow rear wheel to drop and allow access to the fender strut and turn signal hardware).

Complete the following procedure on one side of the motorcycle before working on the other side.

2002-2005 Dyna Models

Refer to instruction sheet J04803 for the installation of rigid mount saddlebags.

2006 and Later Dyna Models (Except FXDWG and FXDF)

1. Refer to the appropriate service manual and remove the screws fastening the stock turn signals to the rear fender side cover.
2. Route the wires to allow for the installation of the turn signal relocation kit.
3. Remove the forward screw holding the fender side cover in place and discard.
4. Remove the stock fender support bracket inside the fender and discard.
5. **2009 and Later FXDB:** See Figure 1. Use the fender support bracket included in the Turn Signal Relocation kit. Follow the instructions provided with the Turn Signal Relocation Kit (68227-09) before proceeding with the following steps. When finished with these instructions you will need to return to the Turn Signal Relocation Kit instructions to complete that installation.

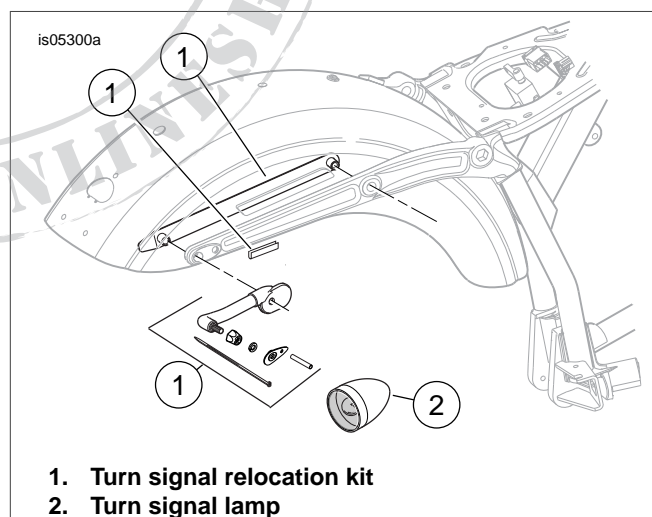


Figure 1. Turn Signal Relocation Kit

6. **All other Models:** Install the fender support bracket (8) from the kit inside the fender.

7. Insert **2-1/2 inch bolt (4)** through the forward mounting hole inside of the saddlebag as follows:
 - Use one thick washer (2) per bolt if rigid mount side plates are installed on the vehicle.
 - Use two thick washers (2) per bolt if detachable side plates are installed on the vehicle.
 - Use two thick washers (2) per bolt if no side plates are installed on the vehicle.

NOTE

On vehicles equipped with detachable side plates, replace the front spacer (6) from the kit, with the front detachable mounting point.

8. Install the short spacer (6) onto the bolt as it protrudes through the saddlebag.
9. Insert the bolt through the fender support cover into fender support bracket. Loosely tighten the bolt.
10. Insert **2-3/4 inch bolt (3)** through the rearward mounting hole inside of the saddlebag as follows:
 - Use one thick washer (2) per bolt if rigid mount side plates are installed on the vehicle.
 - Use two thick washers (2) per bolt if detachable side plates are installed on the vehicle.
 - Use two thick washers (2) per bolt if no side plates are installed on the vehicle.

NOTE

On vehicles equipped with detachable side plates, replace the rear spacer (5) from the kit, with the rear detachable mounting point.

11. Install the medium spacer (5) onto the bolt as it protrudes into the fender support bracket.
12. **2009 and later FXDB:** Discard recess cover (7).
13. **All other Models:** Install the recess cover (7) onto the bolt.
14. Insert the bolt through the fender support cover into the fender support bracket. Loosely tighten the bolt.
15. Tighten the front and rear bolts to 25 ft-lbs (34 Nm).

⚠ WARNING

Be sure fasteners do not extend inward beyond fender mounting bracket. Fastener contact with tire can lead to premature tire failure, which could result in death or serious injury. (00389a)

16. Inspect clearance between tire and saddlebag mounting bolts. Bolts must not extend more than three threads beyond fender support bracket (8). If bolt extends too far, verify that the specified bolt and spacer combination has been used.

⚠ WARNING

Do not exceed saddlebag weight capacity. Put equal weight in each bag. Too much weight in saddlebags can cause loss of control, which could result in death or serious injury. (00383a)

17. See **Install Reflectors onto Saddlebag (All Models)** and install saddlebag reflectors.

2008 and Later FXDF and 2006-2008 FXDWG Models

1. Refer to the appropriate service manual and remove the screws fastening the stock turn signals to the rear fender side cover. Save parts for later installation.
2. Remove the front and rear screws holding the fender side cover in place and discard.
3. Insert **2-1/2 inch bolt (4)** through the forward mounting hole inside of the saddlebag as follows:
 - Use one thick washer (2) per bolt if rigid mount side plates are installed on the vehicle.
 - Use two thick washers (2) per bolt if detachable side plates are installed on the vehicle.
 - Use two thick washers (2) per bolt if no side plates are installed on the vehicle.

NOTE

On vehicles equipped with detachable side plates, replace the front spacer (6) from the kit, with the front detachable mounting point.

4. Install the short spacer (6) onto the bolt as it protrudes through the saddlebag.
5. Insert the bolt through the fender support cover into fender support bracket. Loosely tighten the bolt.
6. Insert **2-3/4 inch bolt (3)** through the rearward mounting hole inside of the saddlebag as follows:
 - Use one thick washer (2) per bolt if rigid mount side plates are installed on the vehicle.
 - Use two thick washers (2) per bolt if detachable side plates are installed on the vehicle.
 - Use two thick washers (2) per bolt if no side plates are installed on the vehicle.

NOTE

On vehicles equipped with detachable side plates, replace the rear spacer (5) from the kit, with the rear detachable mounting point.

7. Install the long spacer (5) onto the bolt as it protrudes into the fender support bracket.
8. Insert the bolt through the fender support cover into the fender support bracket. Loosely tighten the bolt.
9. Tighten the front and rear bolts to 25 ft-lbs (34 Nm).

⚠ WARNING

Be sure fasteners do not extend inward beyond fender mounting bracket. Fastener contact with tire can lead to premature tire failure, which could result in death or serious injury. (00389a)

10. Inspect clearance between tire and saddlebag mounting bolts. Bolts must not extend more than three threads beyond fender support bracket (8). If bolt extends too far, verify that the specified bolt and spacer combination has been used.

11. Refer to the appropriate service manual and install the turn signals, removed in Step 1, to the original locations.

⚠ WARNING

Do not exceed saddlebag weight capacity. Put equal weight in each bag. Too much weight in saddlebags can cause loss of control, which could result in death or serious injury. (00383a)

12. See **Install Reflectors onto Saddlebag (All Models)** and install saddlebag reflectors.

Install Reflectors onto Saddlebag (All Models)

⚠ WARNING

Federal Motor Vehicle Safety Standard (FMVSS) 108 requires motorcycles to be equipped with rear and side reflectors. Be sure rear and side reflectors are properly mounted. Poor visibility of rider to other motorists can result in death or serious injury. (00336b)

1. Place a small amount of paint on studs on back of reflector mount.
2. See Figure 1. Measure approximately 1-1/2 inches (38 mm) from the bottom edge of the saddlebag. Orient the reflector horizontally and carefully center the reflector mount between the straps of bags with straps or locate it at the rearward portion of bags without straps. Gently press reflector mount to saddle bag so paint marks transfer and punch or drill small holes through saddlebag where paint marks transferred to saddlebag.
3. Remove adhesive backing from reflector and firmly press reflector into reflector mount.

4. Install reflector assembly to saddlebag and secure with push nuts.
5. Repeat for the other saddlebag.

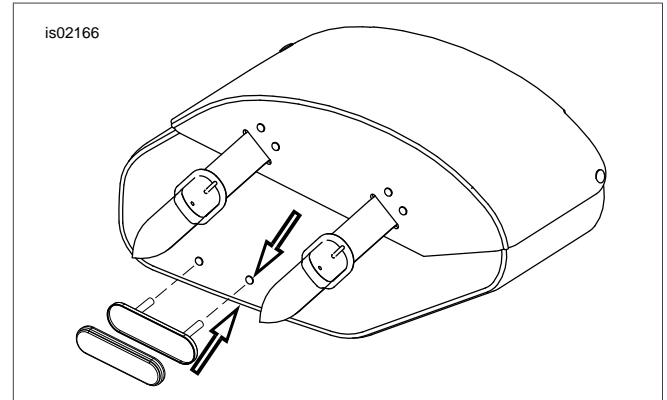


Figure 2. Install Reflector

CARE AND MAINTENANCE

- To open the saddlebag, first disengage the snaps, then unbuckle the quick connect buckles.
- For saddlebags with lid snaps, it will be necessary to periodically oil the snaps. Smear a drop of motor oil into the female side of the snap, being careful not to get any of the oil on the leather. Oil the snaps every two or three weeks.
- Apply the Genuine Leather Dressing included with your saddlebag according to the directions included with the leather care kit.

SERVICE PARTS

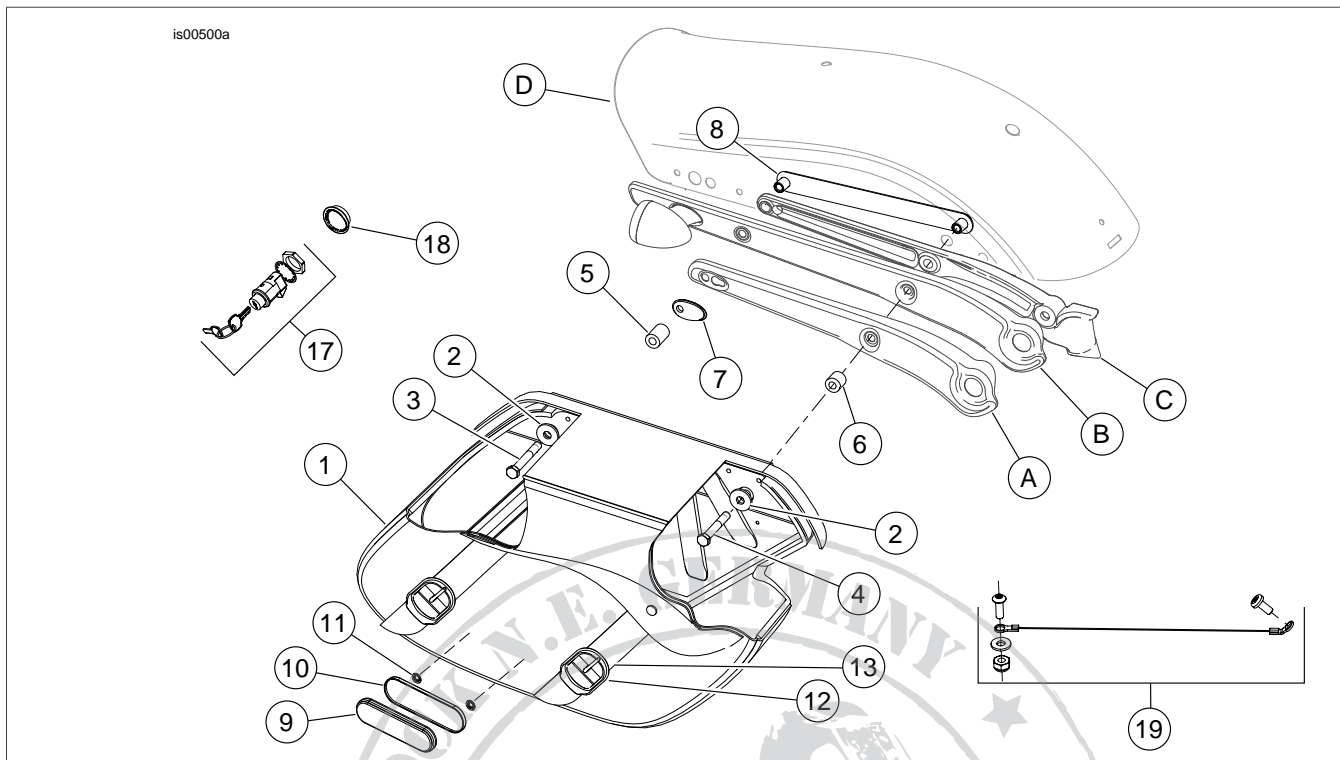


Figure 3. Service Parts for 2006 and Later Applications (except FXDB)

Table 1. Service Parts Table

Kit	Item	Description (Quantity)	Part Number
Saddlebag, right side (generic saddlebag shown)	1	Kit 91615-09	90889-09
		Kit 79300-06C	79301-06
		Kit 88200-09	88201-09
		Kit 88224-06	88225-06
		Kit 90564-06C	90565-06
		Kit 90639-06C	90370-06
Saddlebag, left side (not shown)		Kit 91615-09	90890-09
		Kit 79300-06C	79302-06
		Kit 88224-06	88226-06
		Kit 88200-09	88202-09
		Kit 90564-06C	90569-06
		Kit 90369-06C	90373-06
	2	Thick washer (8)	6519
	3	Hex bolt, 3/8-16 x 2-3/4 inch (2)	4796
	4	Hex bolt, 3/8-16 x 2-1/2 inch (2)	4795
	5	Long spacer, 1.1 inch, (FXDWG & FXDF models) (2)	5877
		Medium spacer, 0.9 inch (all models except FXDWG & FXDF) (2)	40950-98A
	6	Short spacer, 0.72 inch (2)	5878
	7	Recess cover (all models except FXDWG, FXDF & FXDB) (2)	47531-06
	8	Fender support bracket (all except FXDWG, FXDF & FXDB) (2)	60198-06
	9	Red reflector (2)	59173-00
	10	Reflector mount	See Service Kits
	11	Push nut (4)	8126A

Table 1. Service Parts Table

Kit	Item	Description (Quantity)	Part Number
Service Kits	12	Chrome buckle with male disconnect (4), For kit 79300-06C & 88224-06 Aged finish buckle with male disconnect (4), for kit 88200-09	90453-04 88216-09
	13	Female disconnect (4), For kit 79300-06A & 88224-06	90454-04
	14	Leather dressing (not shown)	Not Sold Separately
	15	Hardware kit (items 3-8)	92024-09
	16	Reflector kit (items 9-11)	59480-04
	17	Replacement lock kit (2 locks with keys), for kit 91615-09 only	51557-00A
	18	Replacement bezel kit, for kit 91615-09 only	90891-09
	19	Saddlebag tether kit, for kit 91615-09 only	90723-09
Items mentioned in text, but not included in kit:			
	A	Fender cover (all except FXDWG, FXDF & FXDB)	
	B	Fender cover, (FXDWG & FXDF)	
	C	Frame	
	D	Fender (generic fender shown)	

