



INSTRUCTIONS

-J05144

REV. 2010-03-12

UNIVERSAL SADDLEBAG LOCK KIT

GENERAL

Kit Number

90300003, 90300017

Models

For model fitment information, see the P&A Retail Catalog or the Parts and Accessories section of www.harley-davidson.com (English only).

Additional Parts Required

Spade drill, 5/8 inch

Drill bit, 3/16 inch, Drill bit, 1/8 inch

Bar clamp with soft pads

Wood block

WARNING

The rider's safety depends upon the correct installation of this kit. Use the appropriate service manual procedures. If the procedure is not within your capabilities or you do not have the correct tools, have a Harley-Davidson dealer perform the installation. Improper installation of this kit could result in death or serious injury. (00333a)

Kit Contents

See Figure 5 and Table 1.

INSTALLATION

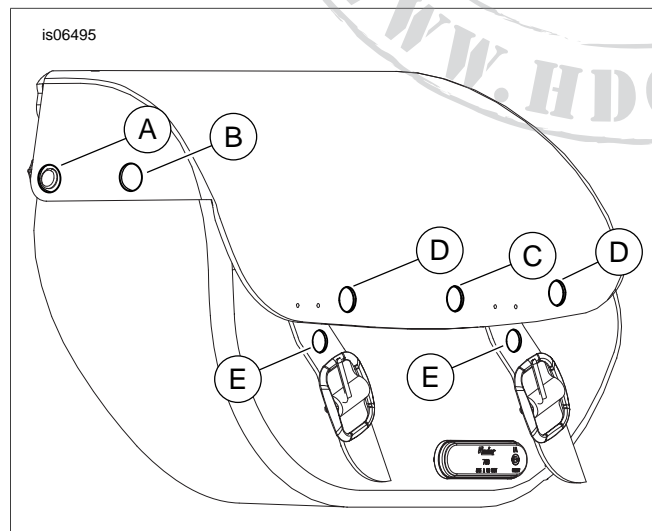


Figure 1. Choosing the Lock Location

1. See Figure 1. There are various locations where the lock can be installed:
 - a. The lock can be installed where the snap is located.
 - b. The lock can be installed further out from the snap.
 - c. The lock can be installed in the front center of the saddlebag lid and tub.
 - d. For added security you can install two locks in each of the saddlebag lids and tubs. This would require two kits.
 - e. The lock can be installed through the straps at one or both locations.
2. See Figure 5 and Table 1. Before drilling holes, use the lock bezel (6) as a guide to determine a suitable location on the bag. Locate all holes a minimum of 0.25 inches from any material edge.
3. If installing the lock at a snap location drill out the rivets holding the top and bottom halves of snap to the saddlebag lid and tub. Remove snaps and discard.
4. See Figure 2. Use the lock bezel (1) as a template to mark the center of the large hole on the saddlebag lid. Drill a 1/8" pilot hole at this location in the lid only. If locating at a snap location use the snap hole as the pilot.
5. Close the lid on the saddlebag and mark the center hole of the saddlebag tub.



1. Bezel
2. Rail clamp
3. Wood backup block

Figure 2. Using the bezel as a template

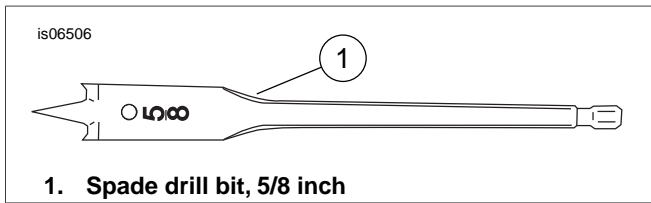


Figure 3. Spade Drill Bit

6. See Figure 2 and Figure 3. Clamp the saddlebag lid to a wood block for back-up using a clamp with soft pads. Failure to clamp lid material may cause the drill bit to grab the material and cut an uneven hole or tear the lid. Use a 5/8" spade style drill bit to carefully drill the center hole through the saddlebag lid only.
7. Open the lid and use the 5/8" spade drill through the tub of the saddlebag. Use a clamp and wood block for backing as in step 6.
8. See Figure 4. Insert the lock cylinder (1) upside down through the two large holes created in steps 6 and 7 as a template. Orient the lock cylinder in the desired location. Mark the two outer holes. Make sure that the lock is engaged in both holes to verify that holes will line up.
9. Using a 3/16" drill bit, drill the two outer holes through the lid and saddlebag tub. Drill completely through the lid and tub in one pass to be certain of proper alignment of holes.

10. Install lock receiver (7) and bezel (6) to tub as shown in Figure 5. Use screws (5) to fasten the lock receiver and bezel. Tighten screws to 9-13 **in-lbs** (1.0-1.5 Nm).
11. See Figure 5. Install lock cylinder (3) to the inside of lid and secure with the lock bezel (2) and keps nuts (4). Tighten nuts to 9-13 **in-lbs** (1.0-1.5 Nm).

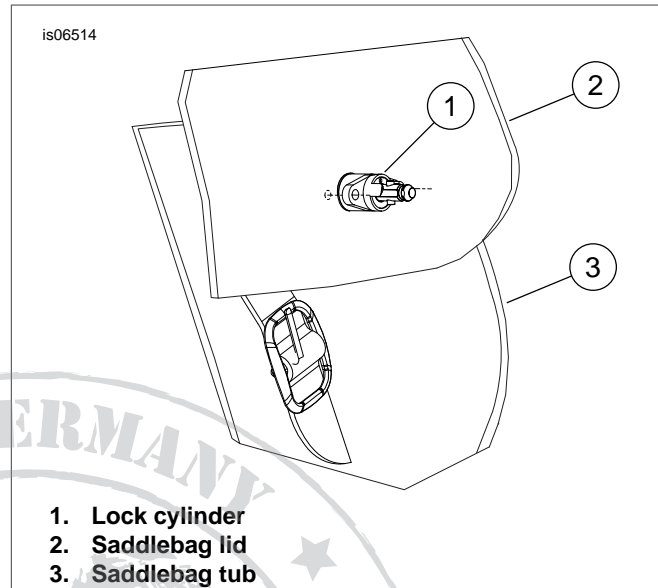


Figure 4. Lock Cylinder Used as Drill Template

SERVICE PARTS

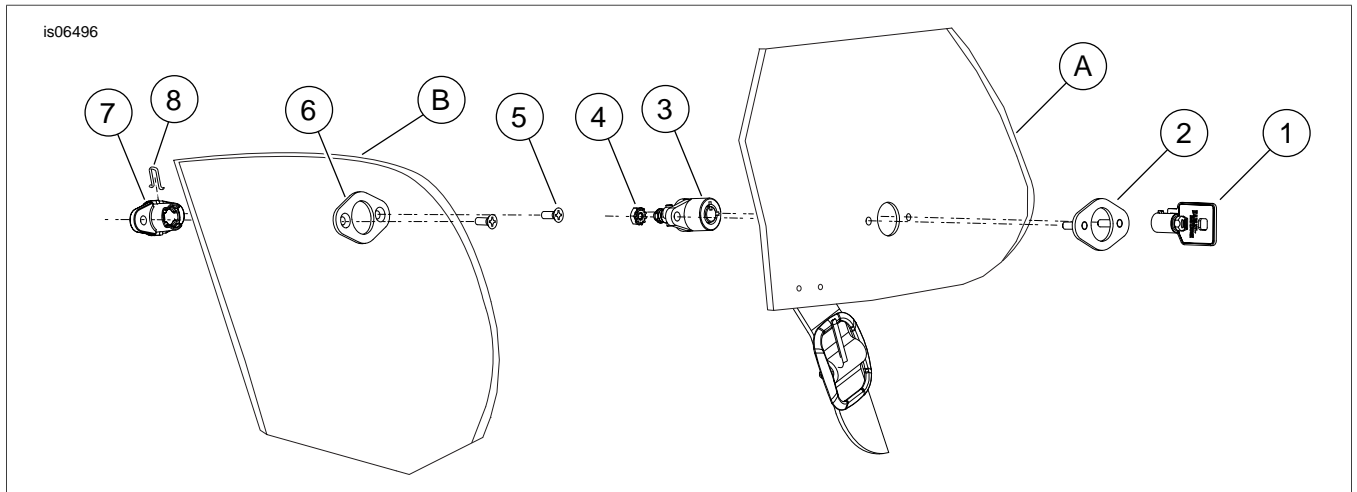


Figure 5. Service Parts: Universal Saddlebag Lock Kit

Table 1. Service Parts Table

Item	Description (Quantity)	Part Number
1	Key (2) (see dealer for key code)	71452-91A
2	Lock bezel, with studs (2)	Not Sold Separately
3	Lock cylinder (2)	Not Sold Separately
4	Keps nuts, #6-32 (4)	7889
5	Flat head screw, #6-32 x 0.75 inch (4)	Not Sold Separately
6	Lower lock bezel (2)	Not Sold Separately
7	Lock receiver (2)	Not Sold Separately
8	Snap wire form, installed in lock receiver (2)	Not Sold Separately
Items mentioned in text, but not included in kit:		
A	Saddlebag lid	
B	Saddlebag tub	