



INSTRUCTIONS

-J04426

2007-08-21

FXCWC AND FXCW DETACHABLE SADDLEBAG KIT

GENERAL

Kit Number

90240-08

Models

For model fitment information, see the P&A Retail Catalog or the Parts and Accessories section of www.harley-davidson.com (English only).

Kit Contents

See Figure 4 and Table 2.

Required Parts

Separate purchase of a Saddlebag Support Structure Kit (90222-08) is required.

Separate purchase of one of the following hardware kits is required:

Table 1. Installation Hardware Kits

Kit Part Number	Models
90313-08	FXCWC
90233-08	FXCW with Touring System Strut Kit (part number 53935-08) installed
90245-08	All other FXCW models

▲ WARNING

The rider's safety depends upon the correct installation of this kit. Use the appropriate service manual procedures. If the procedure is not within your capabilities or you do not have the correct tools, have a Harley-Davidson dealer perform the installation. Improper installation of this kit could result in death or serious injury. (00333a)

NOTE

This instruction sheet references Service Manual information. A Service Manual for your model motorcycle is required for this installation and is available from a Harley-Davidson Dealer.

▲ WARNING

Do not exceed saddlebag weight capacity. Put equal weight in each bag. Too much weight in saddlebags can cause loss of control, which could result in death or serious injury. (00383a)

NOTE

Maximum saddlebag weight capacity is 10 pounds (4.5 Kg.)

INSTALLATION

- For FXCWC and FXCW Models with Passenger Footpegs Installed:** Remove passenger footpeg and footpeg support following the instructions in the appropriate Service Manual or Installation Kit.
- For All Models:** See Figure 4. Install saddlebag support (5) to saddlebag (2) with flange nuts (6). Tighten nuts hand-tight at this time. Repeat for saddlebag support (7) and saddlebag (1). Install rubber isolator tape (9) on saddlebag support as shown.
- See Figure 3. **For FXCWC and FXCW Models with Touring System Strut Kit:** Install saddlebag upper mounting bracket with TORX® screws (1) and spacer (2). Tighten screws to 41–48 N·m (30–35 ft-lbs), loosen and then tighten both to 52–57 N·m (38–42 ft-lbs). **For FXCW Models without Touring System Strut Kit:** Remove OE (original equipment) frame cap (15) from frame. Install saddlebag upper mounting bracket with TORX screws (1), spacer (2) and spacer (14). Tighten screws to 41–48 N·m (30–35 ft-lbs), loosen and then tighten both to 52–57 N·m (38–42 ft-lbs).
- For FXCWC and FXCW Models without Touring System Strut Kit:** Install spacer (9), mini docking point (8), washer (7) and TORX screw (1) to the saddlebag support structure in the tapped hole. Tighten screw to 47–61 N·m (35–45 ft-lbs). **For FXCW Models with Touring System Strut Kit:** Install spacer (13) between frame and support strut (10), install spacer (9), mini docking point (8), washer (7) and TORX screw (1) to the saddlebag support structure. Tighten screw to 47–61 N·m (35–45 ft-lbs).
- See Figure 1. Install saddlebag assembly (2) to the saddlebag support structure by inserting the structure rod into the mounting sleeve (4) while lifting the saddlebag lever (1) and positioning the keyhole slot of the saddlebag support (figure 3 item 12) over the docking point (figure 3 item 8). Slide the saddlebag forward until the tongue (3) is centered in the striker keeper (figure 3 item 11), release the lever.

NOTE

See Figure 3. If necessary, the striker keeper (11) screws can be loosened and adjusted for better alignment. Tighten securely after adjustment.

- Verify that the saddlebag support is seated in the docking point (8) groove and the tongue is fully engage in the striker keeper.

7. See Figure 4. Once proper alignment of saddlebag assembly has been achieved, tighten flange nuts (6) to 7–11 N·m (60–96 in-lbs). If necessary, mark the position of the assembly and remove the saddlebag to tighten the flange nuts.
8. If removed, install saddlebag assembly following Steps 5 and 6.
9. **For Models with Passenger Footpegs:** See Figure 3. Install passenger footpeg in saddlebag support structure hole with screw (3), washer (4), lockwasher (5) and nut (6). Tighten screw to 47–61 N·m (35–45 ft-lbs).
10. Repeat Steps 1 through 9 for the other side.

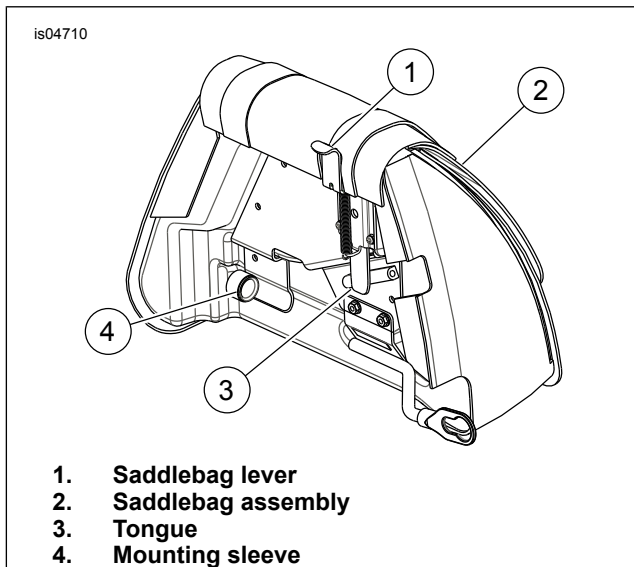


Figure 1. Saddlebag Assembly

Install Reflector

NOTE

Certain HDI installations require the reflectors to be installed with the reflectors in the up position.

1. Remove license plate from bracket.
2. See Figure 2. Install reflector relocation brackets (1) with license plate using license plate hardware.
3. Remove the paper backing from the reflector. Center the reflector on the bracket and when perfectly aligned, press reflector firmly onto the bracket.

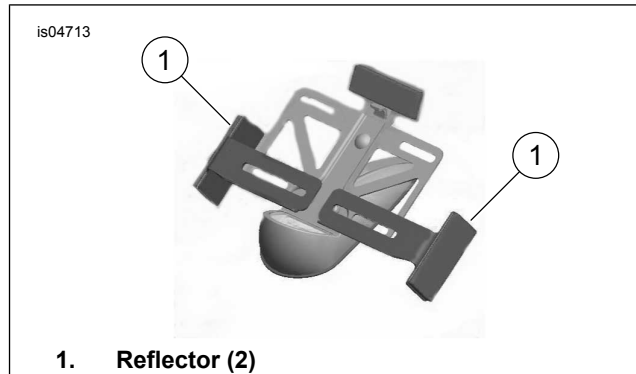
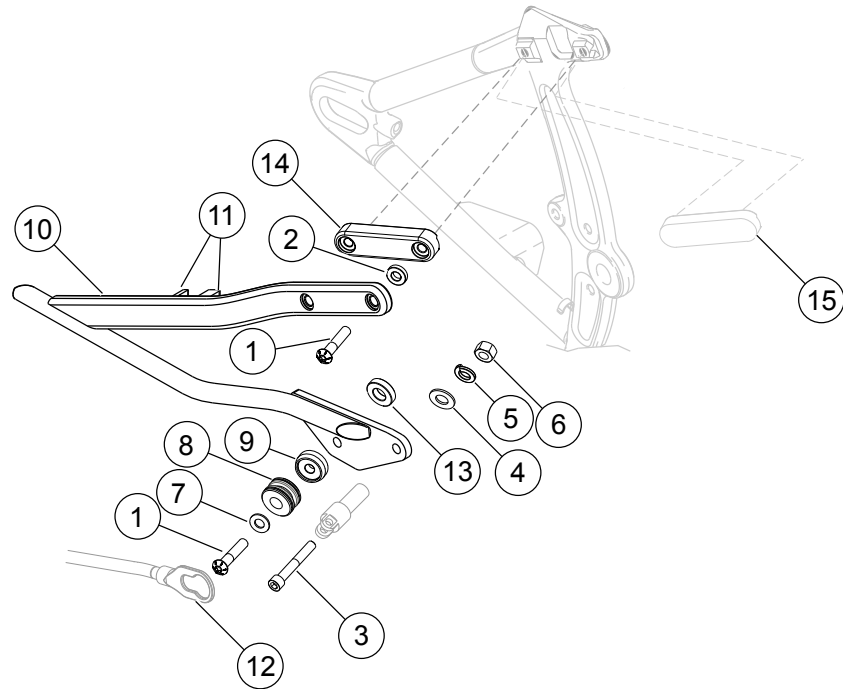


Figure 2. Install Reflectors - Reflectors in the Down Position

Detaching the Saddlebag

1. See Figure 1. Lift the saddlebag lever (1) while sliding the saddlebag assembly (2) rearward.
2. Pull the saddlebag assembly off of the docking points.
3. To reattach: Follow Step 5 and 6 under INSTALLATION.



- | | |
|---|---|
| 1. Screw, TORX (6) | 9. Spacer, docking point (2) |
| 2. Spacer (4) | 10. Saddlebag support structure kit (part number 90222-08) (right side shown) |
| 3. Socket head screw (2) (for models with passenger footpegs) | 11. Striker keeper |
| 4. Washer (2) (for models with passenger footpegs) | 12. Keyhole slot of saddlebag support (from saddlebag kit) |
| 5. Lockwasher (2) (for models with passenger footpegs) | 13. Spacer (2) (for FXCW with Touring System Strut Kit only) |
| 6. Nut (2) (for models with passenger footpegs) | 14. Spacer, mounting bracket (2) (for all other FXCW models only) |
| 7. Flat washer (2) | 15. Frame cap (on FXCW models only) |
| 8. Mini docking point (2) (from saddlebag kit) | 16. Frame |

Figure 3. Installing the Saddlebag Support Structure

Service Parts - Saddlebag Kit

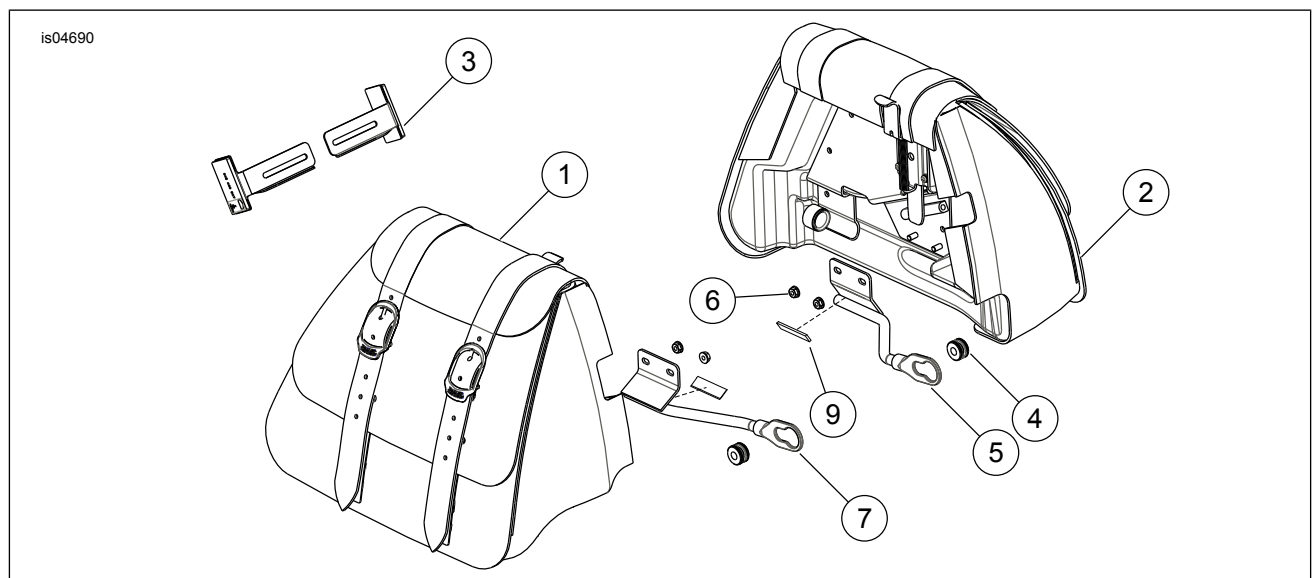


Figure 4. Service Parts: FXCW and FXCWC Saddlebag Kit

Table 2. Service Parts: FXCW and FXCWC Saddlebag Kit

Item	Description (Quantity)	Part Number
1	Saddlebag assembly, right	90244-08
2	Saddlebag assembly, left	90243-08
3	Reflector relocation kit	59478-08

Table 2. Service Parts: FXCW and FXCWC Saddlebag Kit

Item	Description (Quantity)	Part Number
4	Mini docking point (2)	53967-06
5	Saddlebag support, left	90246-08
6	Nut, flange (4)	7716
7	Saddlebag support, right	90268-08
8	Leather dressing kit (not shown)	Not Sold Separately
9	Rubber isolator tape	Not Sold Separately
Available Service Kits		
Kit 90217-08 - Saddlebag Wear Items Kit		
	Bushing (2)	Not Sold Separately
	Rubber isolator (2)	Not Sold Separately
	Rubber bumper (2)	Not Sold Separately
Kit 90218-08 - Saddlebag Latch Kit		
	Screw, hex button head #8-32 x 0.75 inch (4)	Not Sold Separately
	Washer (4)	6192
	Lock nut, nylon insert (4)	Not Sold Separately
	Spring, 0.52 diameter	Not Sold Separately
	Latch slide	Not Sold Separately
	Latch lever	Not Sold Separately
Kit 90494-08 - Saddlebag Support Wear Items Kit		
	Screw, hex button head #10-32 x 0.75 inch	Not Sold Separately
	Striker keeper, left	Not Sold Separately
	Striker keeper, right	Not Sold Separately

Service Parts - Hardware Kits

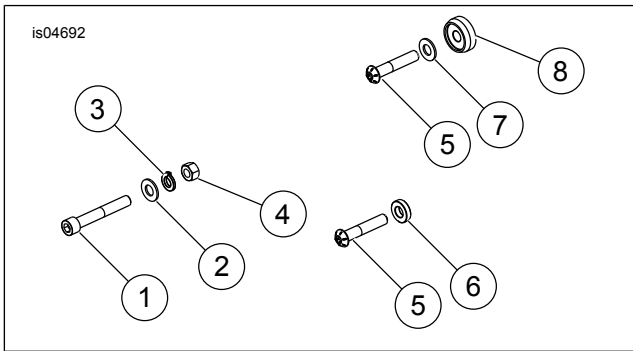


Figure 5. Service Parts: FXCWC Hardware Installation Kit

Table 3. Service Parts: FXCWC Hardware Installation Kit

Item	Description	Part Number
Kit Number 90313-08		
1	Screw, socket head hex (2)	4032A
2	Washer (2)	6701
3	Lockwasher (2)	7038
4	Nut, hex (2)	7783
5	Screw, button head TORX (6)	Not Sold Separately
6	Spacer, upper structure (4)	Not Sold Separately
7	Washer, flat (2)	94067-90T
8	Spacer, docking point (2)	Not Sold Separately

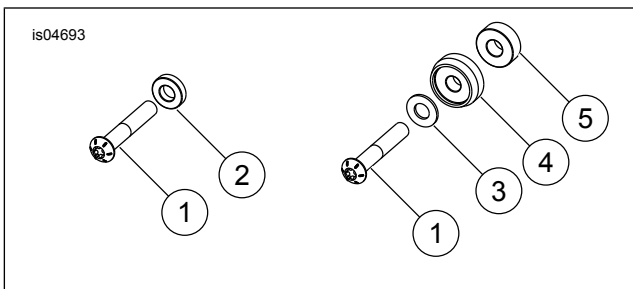


Figure 6. FXCW with Touring System Strut Kit (part number 53935-08) Hardware Installation Kit

Table 4. Service Parts: FXCW with Touring System Strut Kit (part number 53935-08) Hardware Installation Kit

Item	Description	Part Number
Kit Number 90233-08		
1	Screw, button head TORX (6)	Not Sold Separately
2	Spacer, upper structure (4)	Not Sold Separately
3	Washer, flat (2)	94067-90T
4	Spacer, docking point (2)	Not Sold Separately
5	Spacer (2)	Not Sold Separately

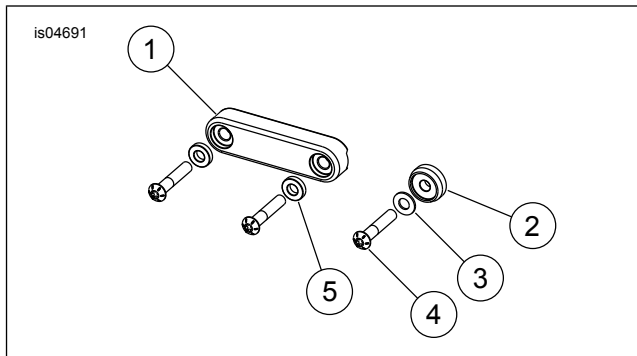


Figure 7. Service Parts: All Other FXCW Models Hardware Installation Kit

Table 5. Service Parts: All Other FXCW Models Hardware Installation Kit

Item	Description	Part Number
Kit Number 90245-08		
1	Spacer, mounting upper bracket (2)	Not Sold Separately
2	Spacer, docking point (2)	Not Sold Separately
3	Washer (2)	94067-90T
4	Screw, button head TORX (6)	Not Sold Separately
5	Spacer, upper structure (4)	Not Sold Separately

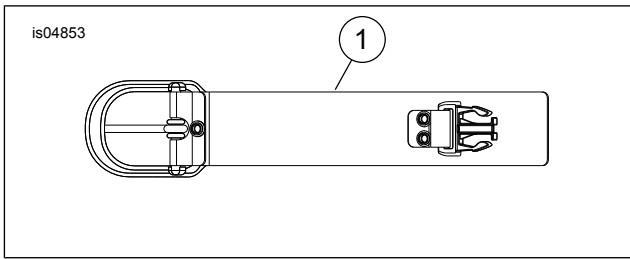


Figure 8. Service Parts for Male Disconnect with Buckle

Table 6. Service Parts

Item	Description (Quantity)	Part Number
1	Male disconnect with buckle	90372-08

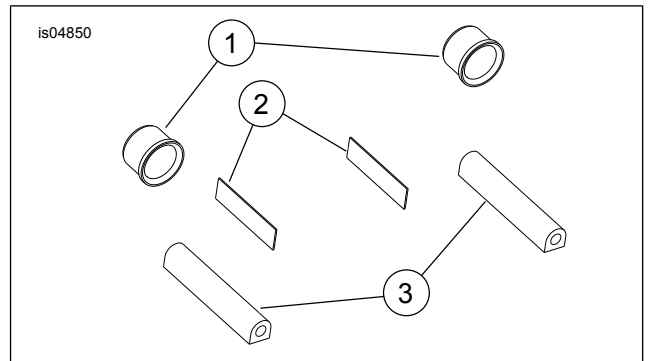


Figure 11. Service Parts: Saddlebag Wear Items Kit

Table 9. Service Parts

Item	Description (Quantity)	Part Number
1	Bushing (2)	Not Sold Separately
2	Rubber isolator (2)	Not Sold Separately
3	Rubber bumper (2)	Not Sold Separately

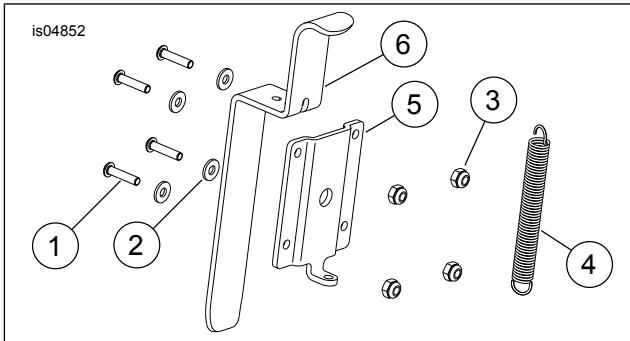


Figure 9. Service Parts: FXCW/C Saddlebag Latch Kit

Table 7. Service Parts

Item	Description (Quantity)	Part Number
1	Button head capscrew, #8-32 x 3/4 in. (4)	Not Sold Separately
2	Plain washer (4)	6192
3	Locknut, #8-32 (4)	8197
4	Extension spring	Not Sold Separately
5	Saddlebag latch slide	Not Sold Separately
6	Saddlebag latch lever	Not Sold Separately

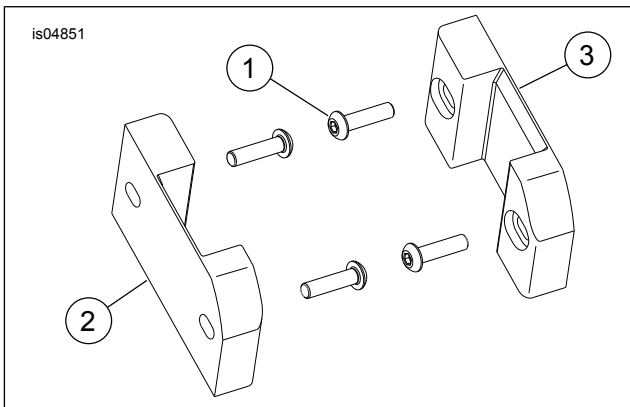


Figure 10. Service Parts: FXCW/C Saddlebag Support Wear Items Kit

Table 8. Service Parts

Item	Description (Quantity)	Part Number
1	Button head capscrew, #10-32 x 3/4 in. (4)	Not Sold Separately
2	Saddlebag striker keeper, left	Not Sold Separately
3	Saddlebag striker keeper, right	Not Sold Separately