



# INSTRUCTIONS

-J05246

REV. 2015-03-20

## SPORTSTER LEATHER SADDLEBAG KIT

### GENERAL

#### Kit Number

53050-10, 90201321

#### Models

For model fitment information, see the P&A Retail Catalog or the Parts and Accessories section of [www.harley-davidson.com](http://www.harley-davidson.com) (English only).

#### Additional Parts Required

Separate purchase and installation of a turn signal relocation kit may be required for proper installation of this kit on your model motorcycle. See the P&A Retail Catalog or the Parts and Accessories section of [www.harley-davidson.com](http://www.harley-davidson.com) (English only) for a list of required parts or accessories for your model.

### ⚠ WARNING

**Do not exceed saddlebag weight capacity. Put equal weight in each bag. Too much weight in saddlebags can cause loss of control, which could result in death or serious injury. (00383a)**

#### NOTE

Maximum saddlebag weight is seven pounds (3.2 Kg) for each bag.

### ⚠ WARNING

**The rider's safety depends upon the correct installation of this kit. Use the appropriate service manual procedures. If the procedure is not within your capabilities or you do not have the correct tools, have a Harley-Davidson dealer perform the installation. Improper installation of this kit could result in death or serious injury. (00333a)**

#### NOTE

*This instruction sheet references service manual information. A service manual for your model motorcycle is required for this installation and is available from a Harley-Davidson dealer.*

#### Kit Contents

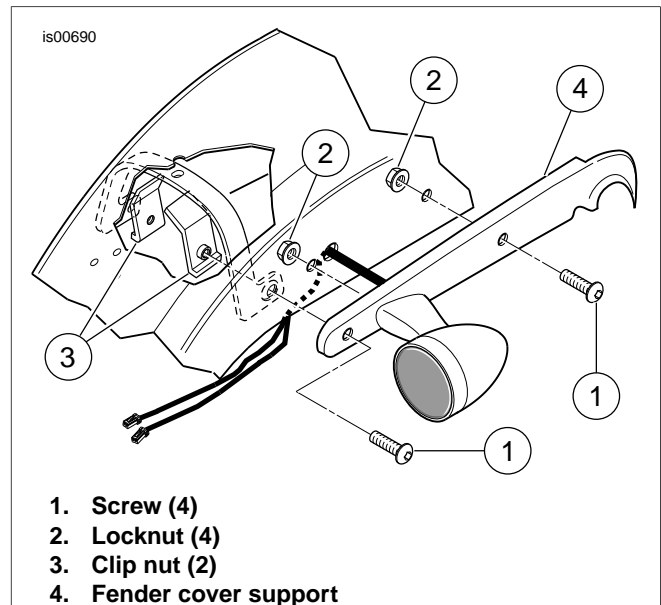
See Figure 2 and Table 1.

### INSTALLATION

### ⚠ WARNING

**To prevent accidental vehicle start-up, which could cause death or serious injury, disconnect negative (-) battery cable before proceeding. (00048a)**

1. Refer to the service manual and follow the instructions given to remove the seat, and disconnect the negative battery cable. Save seat mounting hardware for later use.
2. Properly support motorcycle under frame with stand or suitable blocking to prepare for addition of saddlebags.
3. See Figure 1. Remove and discard front and rear button head screws (1), two locknuts (2) and under fender clip nuts (3) from the left and right rear fender support covers (4).
4. Follow the instructions provided with the Turn Signal Relocation Kit to relocate the rear turn signals.



**Figure 1. Rear Fender Support Removal**

5. See Figure 2. From the underside of the fender, install two bolts (6) from kit through the fender and into the fender support (A) and cover (B), where the two button head screws were previously removed in Step 3.
6. For kit 53050-10: Install the short bushing (12) onto the front bolt (short end toward saddlebag) and the long bushing (11) onto the rear bolt (short end toward saddlebag).  
For kit 90201321: Install the spacer (18), then the short bushing (12), onto the front bolt (short end toward saddlebag). Install the spacer (18), then the long bushing (11) onto the rear bolt (short end toward saddlebag).
7. Slide the saddlebag onto the bolts until bushings are seated onto the saddlebag bracket.

8. Thread flange locknuts (7) to bolts on the inside of the saddlebag. Tighten both flange locknuts to 24-27 ft-lbs (33-37 Nm).
9. Install a thread protector cap (8) onto each of the bolt ends.

### Install Reflectors

 **WARNING**

**Federal Motor Vehicle Safety Standard (FMVSS) 108 requires motorcycles to be equipped with rear and side reflectors. Be sure rear and side reflectors are properly mounted. Poor visibility of rider to other motorists can result in death or serious injury. (00336b)**

1. Measure approximately 1-1/2 in (38 mm) from the bottom edge of the saddlebag. Align the reflector horizontally. Carefully center the reflector mount between the straps or locate it at the rearward portion on bags without straps.
2. See Figure 2. Position reflector mount (14) on saddlebag.
3. Mark holes on saddlebag with pen (or other appropriate tool).
4. Using soapy water, clean the surface where reflector will be installed.
5. Allow the surface to dry completely before continuing.
6. Using appropriate tool, make two 3/16 in holes in saddlebag.
7. Install reflector mount (14) on saddlebag using two push nuts (15).
8. Remove backing from adhesive on reflector (16) and install on mount (14).
9. Let the adhesive cure for at least 24 hours at no less than 60°F (16°C).

## SERVICE PARTS

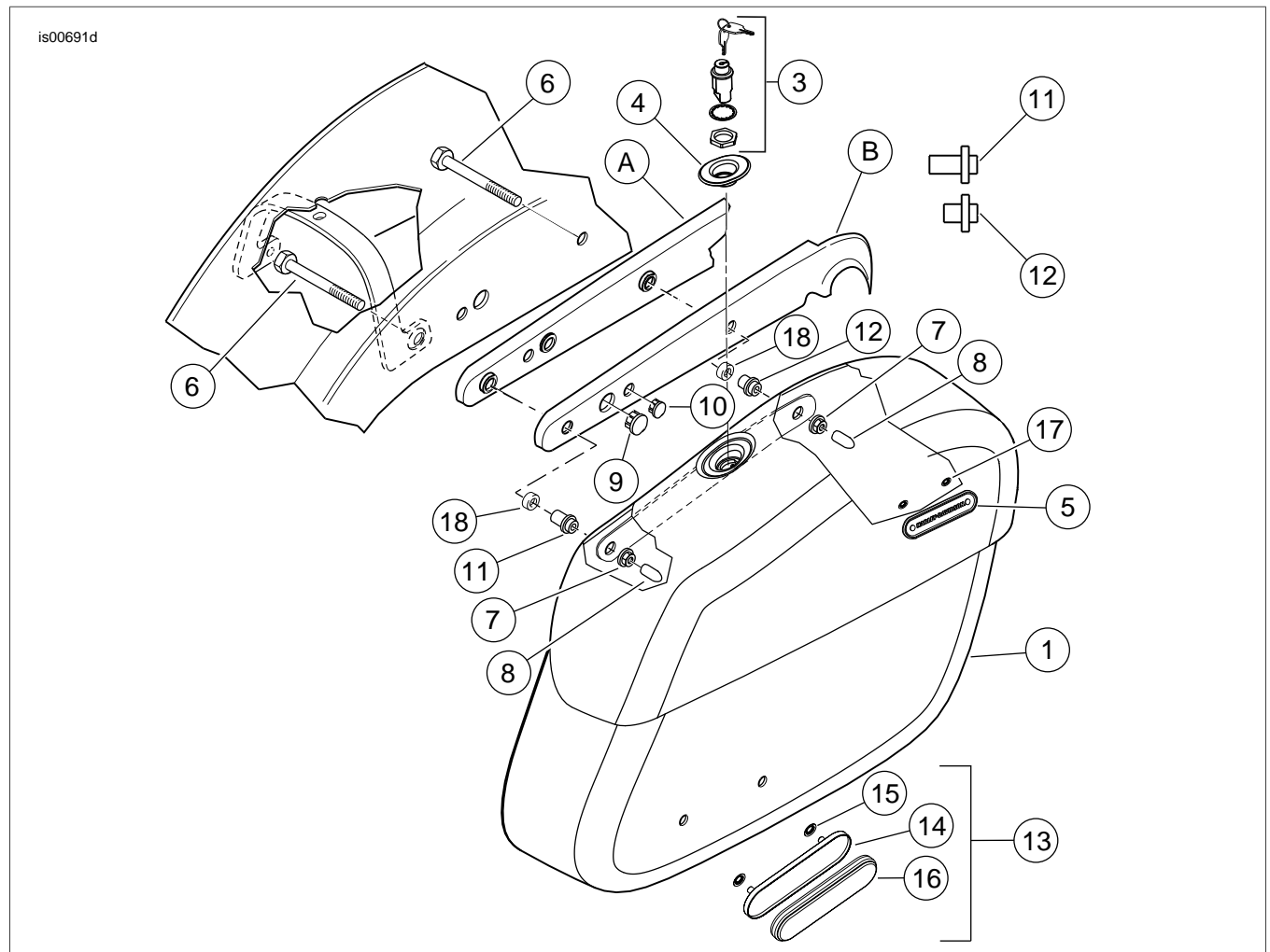


Figure 2. Service Parts: Sportster Rigid Leather Saddlebag Kit (right side shown)

Table 1. Service Parts: Sportster Rigid Leather Saddlebag Kit

Item	Description (Quantity)	Part Number	Item	Description (Quantity)	Part Number
1	Saddlebag without lock, right	53099-10	11	Bushing, rear, long (2)	53021-04A
2	Saddlebag without lock, left (not shown)	53113-10	12	Bushing, front, short (2)	53022-04A
3	Lock assembly (2) (includes keys)	51557-00A	13	Kit, reflector (items 14-16) (2)	59480-04A
4	Bezel (2)	53126-10	14	Mount, reflector (2)	Not sold separately
5	Ornament (2)	Not sold separately	15	Pushnut, reflector mount (4)	8126A
6	Screw, Hex head, 5/16-18 x 3 in. (4) for Kit 53050-10	4375	16	Reflector, red (2)	Not sold separately
	Screw, Hex head, 5/16-18 x 3.75 in. (4) for Kit 9021321	4298	17	Push nut (4)	8126A
7	Locknut, flange 5/16-18 (4)	7531	18	Spacer, OD .750, ID .325 x .422 lg (4) (2)	53780-04
8	Cap, thread protector (4)	Not sold separately	19	Leather dressing (not shown)	Not sold separately
9	Plug, 0.40 in. hole (2)	6989	A	Frame fender support	Not part of kit
10	Plug, 0.35 in. hole (2)	68446-00	B	Frame fender support cover	Not part of kit