



INSTRUCTIONS

-J05662

2014-03-28

SADDLEBAG HINGE COVER KIT

GENERAL

Kit Number

90200915, 90201084

Models

For model fitment information, see the P&A Retail Catalog or the Parts and Accessories section of www.harley-davidson.com (English only).

Additional Parts Required

Certain international markets require amber reflectors. If your vehicle is equipped with amber reflectors, then separate purchase of reflectors (Part No. 67900066 and 67900068) is required.

Kit Contents

See Figure 2 and Table 1.

REMOVAL

1. See Figure 1. Remove tether screws (1) to access hinge cover mounting screws (3). Save screws for installation.
2. Hold hinge cover and remove screws (3) and hinge cover. Discard screws and hinge cover.

INSTALLATION

⚠ WARNING

Federal Motor Vehicle Safety Standard (FMVSS) 108 requires motorcycles to be equipped with rear and side reflectors. Be sure rear and side reflectors are properly mounted. Poor visibility of rider to other motorists can result in death or serious injury. (00336b)

NOTE

See Figure 1. Hinge cover mounting screws (3) are easily cross-threaded. Use care when installing.

1. See Figure 1. Install the hinge cover with screws (3). Tighten to 4.5–5.1 N·m (40–45 in-lbs).
2. Secure tether with screws (1). Tighten to 4.5–5.1 N·m (40–45 in-lbs).
3. Install reflectors 50–75 mm (2–3 in) below and centered with hinge cover:
 - a. Clean reflector mounting surface with an equal mixture of water and isopropyl alcohol. Allow to dry thoroughly.
 - b. Remove the adhesive backing from the reflector. Install the reflector on saddlebag. Hold in place for 10 seconds.

4. Repeat all steps for the other saddlebag.

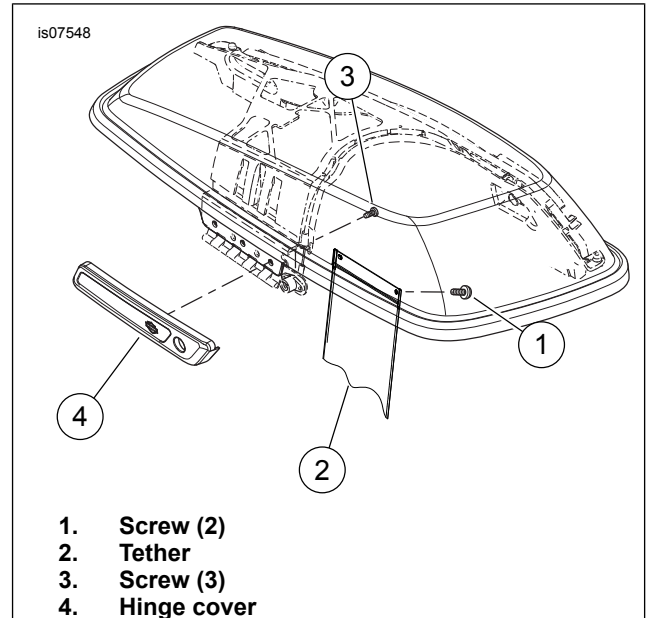


Figure 1. Hinge Cover Kit

SERVICE PARTS

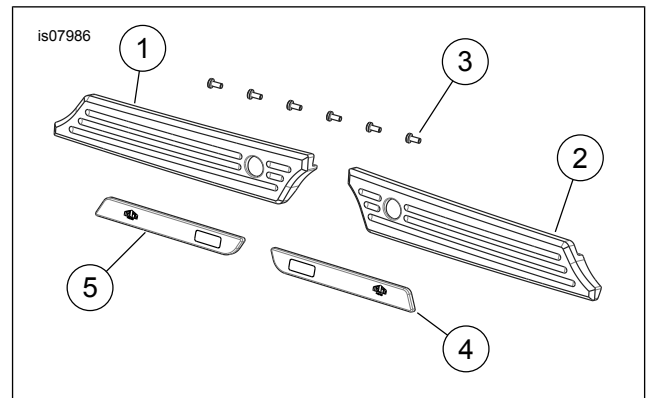


Figure 2. Service Parts: Hinge Cover Kit

Table 1. Service Parts Table

Item	Description (Quantity)	Part Number
1	Hinge cover, right, black	90200916
	Hinge cover, right, chrome	90201085
2	Hinge cover, left, black	90200917
	Hinge cover, left, chrome	90201086
3	Screw (6)	2480
4	Reflector, red, left	59288-92
5	Reflector, red, right	59287-92

-J05662



Many Harley-Davidson® Parts & Accessories are made of plastics and metals which can be recycled. Please dispose of materials responsibly.

1 / 1