



# INSTRUCTIONS

-J05813

2013-05-02

## FLHRC SADDLEBAG KIT

### GENERAL

#### Kit Number

90201079

#### Models

For model fitment information, see the P&A retail catalog or the Parts and Accessories section of [www.harley-davidson.com](http://www.harley-davidson.com) (English only).

#### Additional Parts Required

Genuine Harley-Davidson Leather Dressing (Part No. 98261-91V) can be purchased separately from any Harley-Davidson dealer.

#### ▲ WARNING

The rider's safety depends upon the correct installation of this kit. If the procedure is not within your capabilities or you do not have the correct tools, have a Harley-Davidson dealer perform the installation. Improper installation of this kit could result in death or serious injury. (00308a)

#### Kit Contents

See Figure 2 and Table 1.

#### ▲ WARNING

Federal Motor Vehicle Safety Standard (FMVSS) 108 requires motorcycles to be equipped with rear and side reflectors. Be sure rear and side reflectors are properly mounted. Poor visibility of rider to other motorists can result in death or serious injury. (00336b)

#### ▲ WARNING

Do not exceed saddlebag weight capacity. Put equal weight in each bag. Too much weight in saddlebags can cause loss of control, which could result in death or serious injury. (00383a)

#### NOTE

Maximum saddlebag weight capacity is 4.55 kg (20 lb) per bag.

### INSTALLATION

#### Remove Stock Saddlebag

1. Open saddlebag.
2. See Figure 1. Rotate each mounting stud (1) one-quarter turn counterclockwise. Remove studs and flat washers from grommets. Save hardware for installation.
3. Remove saddlebag.
4. Repeat for other side.

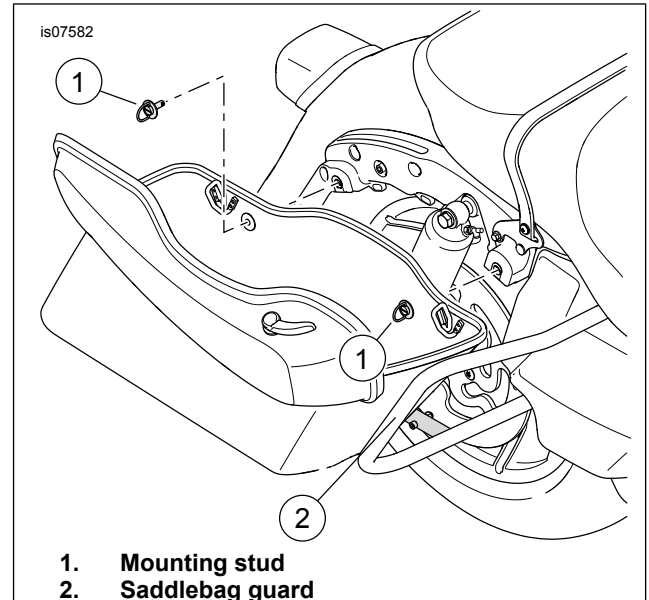


Figure 1. Remove Stock Saddlebag (Right Side Shown)

#### Install Reflectors

1. See Figure 1. Clean saddlebag guard (2) thoroughly with an equal mixture of water and isopropyl alcohol. Allow to dry thoroughly.
2. See Figure 2. Align the reflector (2) in the center of the saddlebag guard (A). Mark position with a grease pencil.
3. Remove the adhesive backing from the reflector, align with markings and apply firmly.
4. Repeat for other side.
5. Allow reflector adhesive to set for 24 hours before exposing to water.

#### Install New Saddlebag

#### NOTE

Replace grommets (B) if torn or deteriorated.

1. See Figure 2. Position saddlebag (1) on motorcycle aligning holes in grommets with attachment holes and rubber isolators on bottom of bag with saddlebag guard.
2. Place flat washers (C) on mounting studs (D).
3. Hold groove at end of stud horizontal and insert stud through grommet. When groove engages wire form spring in mounting bracket, turn stud clockwise one-quarter turn until it locks in place.
4. Repeat for other side.

#### Saddlebag Care

Apply the Harley-Davidson Genuine Leather Dressing (purchased separately) according to the instructions.

-J05813

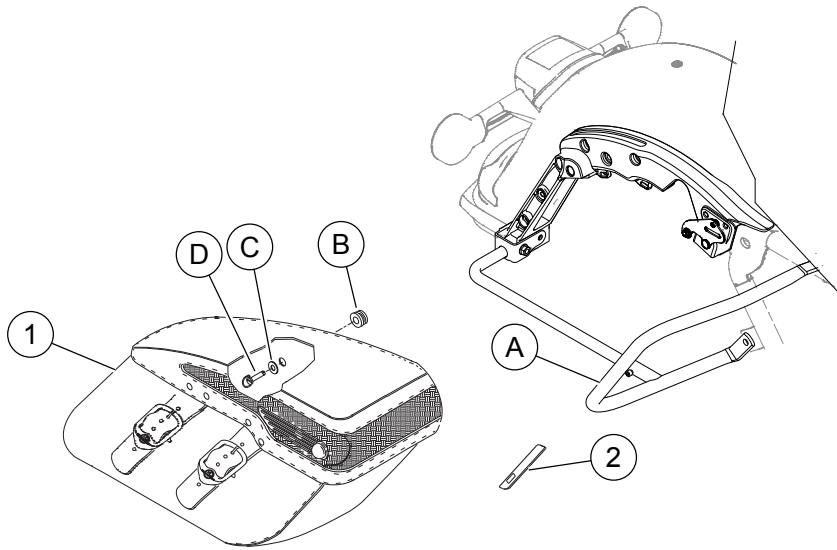


Many Harley-Davidson® Parts & Accessories are made of plastics and metals which can be recycled. Please dispose of materials responsibly.

1 / 2

# SERVICE PARTS

is07583



**Figure 2. Service Parts: FLHR Saddlebag Kit**

**Table 1. Service Parts, Detachable Saddlebag Kits**

Item	Description (Quantity)	Part Number
1	Saddlebag assembly, right side (shown)	Not Sold Separately
	Saddlebag assembly, left side	Not Sold Separately
2	Reflector (2)	69490-07
<b>Items mentioned in instruction sheet but not included in kit:</b>		
A	Saddlebag guard (2)	
B	Grommet (2)	
C	Flat washer (2)	
D	Mounting stud (2)	