



# INSTRUCTIONS

-J05763

2013-04-26

## LEVER KIT

### GENERAL

#### Kit Number

90201052

#### Models

For model fitment information, see the P&A Retail Catalog or the Parts and Accessories section of [www.harley-davidson.com](http://www.harley-davidson.com) (English only).

#### Kit Contents

See Figure 2 and Table 1.

#### ▲ WARNING

The rider's safety depends upon the correct installation of this kit. If the procedure is not within your capabilities or you do not have the correct tools, have a Harley-Davidson dealer perform the installation. Improper installation of this kit could result in death or serious injury. (00308a)

### REMOVAL

1. See Figure 1. Remove lever mounting screw (3).
2. Remove quad seal (1) and lever (2). Discard screw, quad seal and lever.

### INSTALLATION

1. See Figure 2. Verify the quad seal (4) is fully seated on lever shaft prior to installation. Install lever (1) in saddlebag lid, matching the keyed end of the lever shaft to the pocket in the saddlebag lid. Do not pinch or damage quad seal.
2. Install screw (3) and tighten to 4.5–5.1 N·m (40–45 in-lbs)
3. Repeat all steps for the other saddlebag.

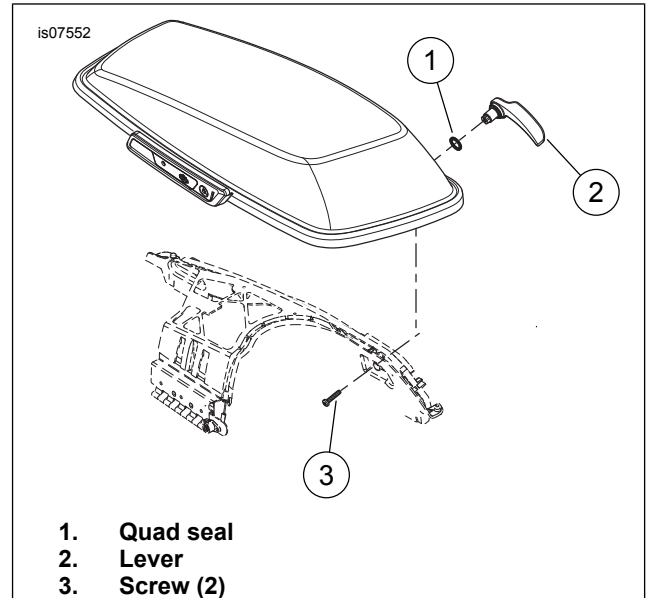


Figure 1. Lever Assembly

### SERVICE PARTS

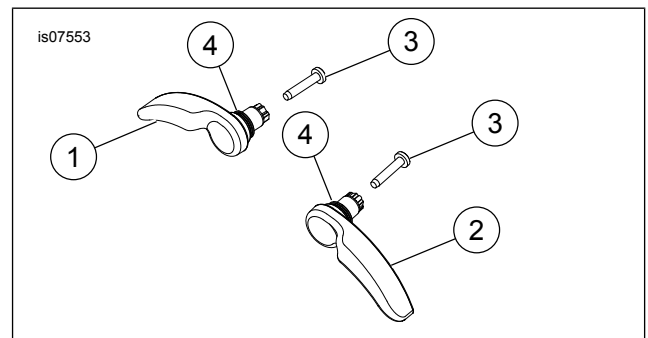


Figure 2. Service Parts: Lever Kit

Table 1. Service Parts Table

Item	Description (Quantity)	Part Number
1	Lever assembly, right, black gloss	Not Sold Separately
2	Lever assembly, left, black gloss	Not Sold Separately
3	Screw (2)	10200064
4	Quad seal (2)	Not Sold Separately

