



INSTRUCTIONS

-J05740

2013-11-15

SADDLEBAG GUARD RAIL

GENERAL

Kit Number

90201044

Models

For model fitment information, see the P&A Retail Catalog or the Parts and Accessories section of www.harley-davidson.com (English only).

Installation Requirements

Separate purchase of LOCTITE® 243 Threadlocker and Sealant - Blue (99642-97) is required for proper installation of this kit.

▲ WARNING

The rider's safety depends upon the correct installation of this kit. If the procedure is not within your capabilities or you do not have the correct tools, have a Harley-Davidson dealer perform the installation. Improper installation of this kit could result in death or serious injury. (00308a)

Kit Contents

See Figure 3 and Table 1.

INSTALLATION

1. See the owner's manual. Remove left saddlebag.
2. See Figure 1. Remove outer mount screws (1).
3. Remove lower mount screws (2).
4. If necessary, clean threaded holes with a thread chaser.
5. See Figure 2. Place saddlebag guard over saddlebag. Align mounting holes.
6. Apply a small amount of Loctite 243 - blue to screws (2). Loosely install washers and lower mount screws (2).
7. Apply a small amount of Loctite 243 - blue to screws (1). Loosely install outer mount screws (1).
8. Tighten screws to 10.8–13.6 N·m (96–120 in-lbs).
9. See the owner's manual. Install left saddlebag.
10. Repeat procedure for opposite side.

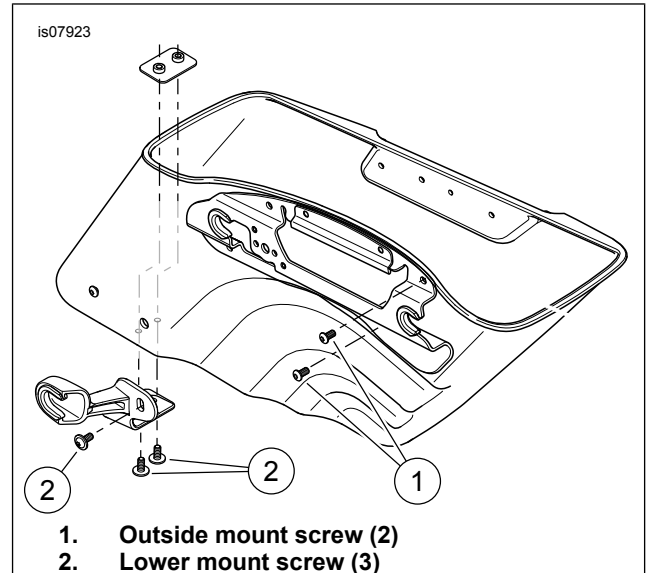


Figure 1. Saddlebag Screws

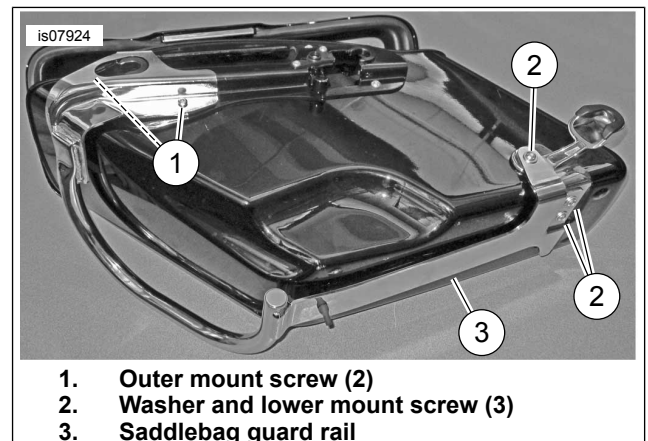


Figure 2. Saddlebag Guard Rail

SERVICE PARTS

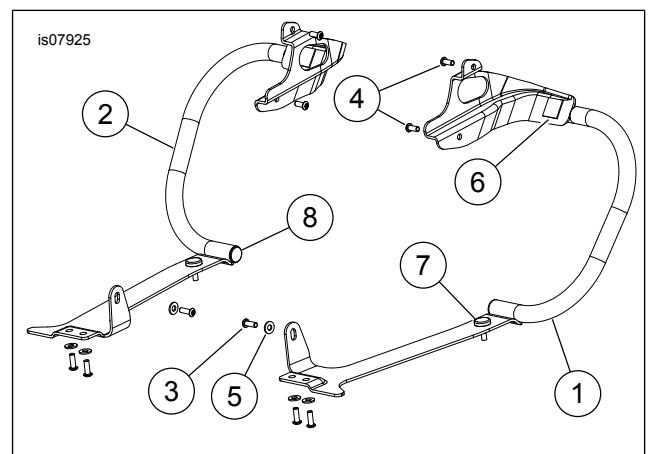


Figure 3. Service Parts: Saddlebag Guard Rail

-J05740

Many Harley-Davidson® Parts & Accessories are made of plastics and metals which can be recycled. Please dispose of materials responsibly.

1 / 2

Table 1. Service Parts

Item	Description (Quantity)	Part Number
1	Saddlebag guard, right	90201047
2	Saddlebag guard, left	90201048
3	Screw, torx, long (6)	940
4	Screw, torx, short (4)	941
5	Washer	6703
6	rubber pad (2)	61079-82
7	Bumper (2)	62123-66A
8	Plug (2)	12100067