



# INSTRUCTIONS

-J05694

2014-01-21

## SADDLEBAG SUPPORT KIT

### GENERAL

#### Kit Number

90200981

#### Models

For model fitment information, see the P&A Retail Catalog or the Parts and Accessories section of [www.harley-davidson.com](http://www.harley-davidson.com) (English only).

#### ⚠ WARNING

The rider's safety depends upon the correct installation of this kit. If the procedure is not within your capabilities or you do not have the correct tools, have a Harley-Davidson dealer perform the installation. Improper installation of this kit could result in death or serious injury. (00308a)

#### Kit Contents

See Figure 2 and Table 2.

#### REMOVAL

1. Remove saddlebag.
2. Remove seat.

#### NOTE

Save all hardware for installation.

3. Remove fasteners securing muffler to saddlebag support.
4. See Figure 1. Remove screw (2) and flange nuts.
5. Remove rubber isolator. Save for installation.
6. Remove screws (3, 4).
7. Remove saddlebag support assembly.

#### INSTALLATION

#### NOTE

See Table 1 for torque specifications.

See Figure 1. Support tube screw (1) is installed from rear to front on all models except FLHX/S.

1. See Figure 2. Install saddlebag support assembly with saved hardware.
2. Secure muffler to lower rail with screws. Tighten to 10.8–16.3 N·m (96–144 in-lbs).

#### ⚠ WARNING

After installing seat, pull upward on seat to be sure it is locked in position. While riding, a loose seat can shift causing loss of control, which could result in death or serious injury. (00070b)

3. Install seat.

Table 1. Saddlebag Support Fastener Torque Specifications

ITEM	TORQUE
1	40.7–50.2 N·m (30–37 ft-lbs)
2	20.3–27.1 N·m (15–20 ft-lbs)
3	43.4–48.8 N·m (32–36 ft-lbs)
4	43.4–48.8 N·m (32–36 ft-lbs)

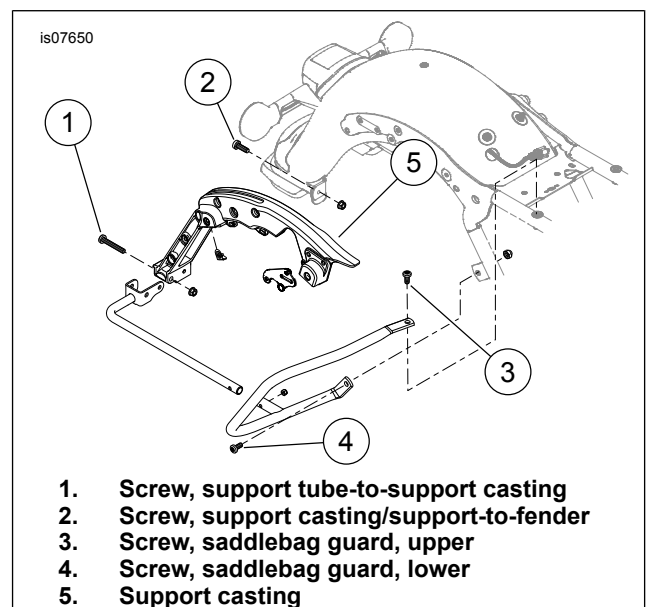


Figure 1. Saddlebag Supports

#### SERVICE PARTS

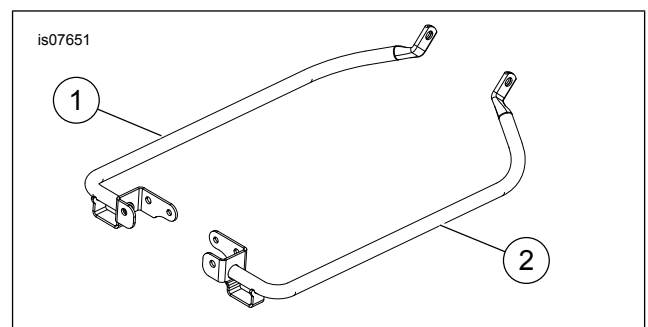


Figure 2. Service Parts: Saddlebag Support Kit

Table 2. Service Parts

Item	Description (Quantity)	Part Number
1	Support, saddlebag, right	90200550
2	Support, saddlebag, left	90200549