



INSTRUCTIONS

-J05574

2012-03-21

SADDLEBAG LID RAIL TOURING MODEL BADGE KITS

GENERAL

Kit Numbers

90200740, 90200741, 90200742

Models

For model fitment information, see the P&A retail catalog or the Parts and Accessories section of www.harley-davidson.com (English only).

Installation Requirements

Unless already installed, a Touring Saddlebag Lid Rail Kit (Part No. 90200737) will be needed. This item is available separately from a Harley-Davidson dealer.

Table 1. Models

Kits	Models
90200740	Limited
90200741	Ultra
90200742	FLHX

Kit Contents

See Figure 1 and Table 2.

PREPARATION

Install the Touring Saddlebag Lid Rail Kit (Part No. 90200737) per the instructions in **that** kit.

INSTALLATION

NOTE

The model nameplate badges are side-specific. The sides of the badges are angled to fit between the forward downtubes of the right or left lid rail.

1. Position the correct badge (1 or 2) against the forward face of the lid rail downtubes.
2. Position a clamp bar (3) against the rear face of the downtubes.
3. Loosely fasten the clamp bar to the back side of the badge with two screws (4) from the kit.
4. Repeat Steps 1-3 for the opposite lid rail.
5. Visually align the badges for best appearance, then tighten the screws securely.

SERVICE PARTS

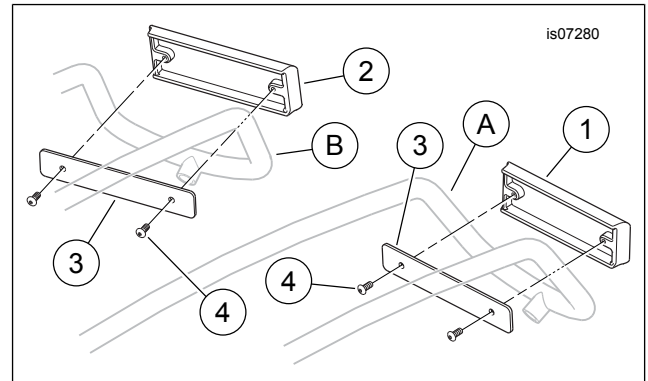


Figure 1. Component Parts, Saddlebag Lid Rail Touring Model Badge Kits

Table 2. Component Parts

Item	Description (Quantity)	Part Number
1	Badge (right side)	Not sold separately
2	Badge (left side)	Not sold separately
3	Clamp bar (2)	Not sold separately
4	Screw (4)	Not sold separately
Items mentioned in text.		
A	Saddlebag lid rail (right)	
B	Saddlebag lid rail (left)	

