



INSTRUCTIONS

-J05598

2014-01-21

SADDLEBAG GUARD RAIL KIT

GENERAL

Kit Number

90200561

Models

For model fitment information, see the P&A Retail Catalog or the Parts and Accessories section of www.harley-davidson.com (English only).

▲ WARNING

The rider's safety depends upon the correct installation of this kit. If the procedure is not within your capabilities or you do not have the correct tools, have a Harley-Davidson dealer perform the installation. Improper installation of this kit could result in death or serious injury. (00308a)

Kit Contents

See Figure 3 and Table 1.

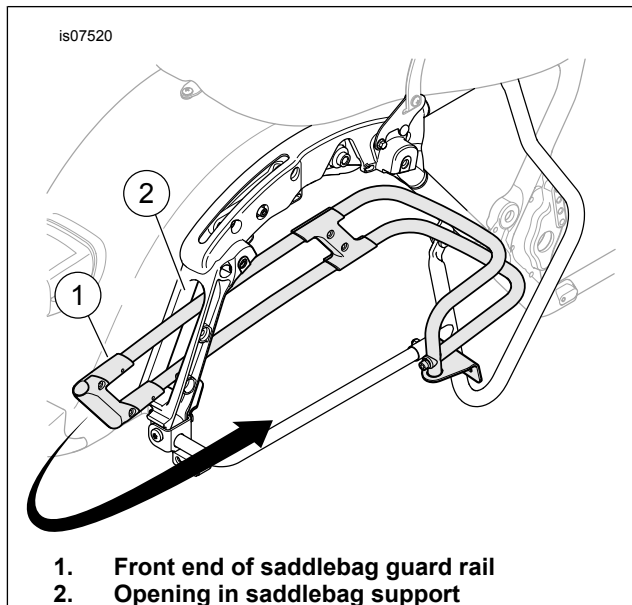


Figure 1. Installation Routing

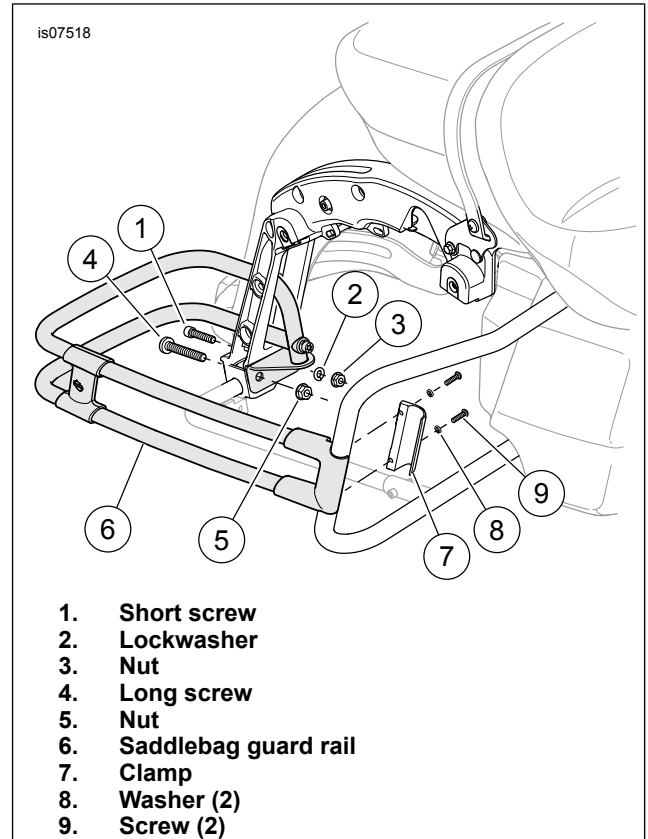


Figure 2. Saddlebag Guard Rail

REMOVAL

1. See the owner's manual. Remove saddlebags.
2. **Models with saddlebag support covers:** Remove two screws and cover from each side.

INSTALLATION

NOTE

Install saddlebag guard rail to one side at a time.

1. See Figure 2. Remove screw (1) and nut (3). Discard hardware.

NOTE

Wrap the guard rail in a towel or cloth to prevent parts or components from being scratched.

2. Remove screw (4) and nut (5). Discard nut.
3. See Figure 1. From front to rear, route the front end of the guard rail (1) through the opening in saddlebag support (2). Then rotate the front end of the guard rail around to the proper orientation.

4. See Figure 2. Install guard rail to saddlebag support.
 - a. Install guard rail to saddlebag support. Secure with short screw (1), washer (2) and nut (3). Leave fasteners loose.
 - b. Install original equipment (OE) long screw (4) and nut (5). Leave fasteners loose.
 - c. Tighten screws to 7.3 N·m (65 in-lbs).
5. Mount the front of the guard rail (6) to the saddlebag support rail.
 - a. Position front of guard rail onto the support assembly.
6. Tighten screw (4) and nut (5) to 40.7–50.2 N·m (30–37 ft-lbs).
7. Tighten screw (1) and nut (3) to 20.3–27.1 N·m (15–20 ft-lbs).
8. Repeat installation for opposite side.
9. See the owner's manual. Install saddlebags.

SERVICE PARTS

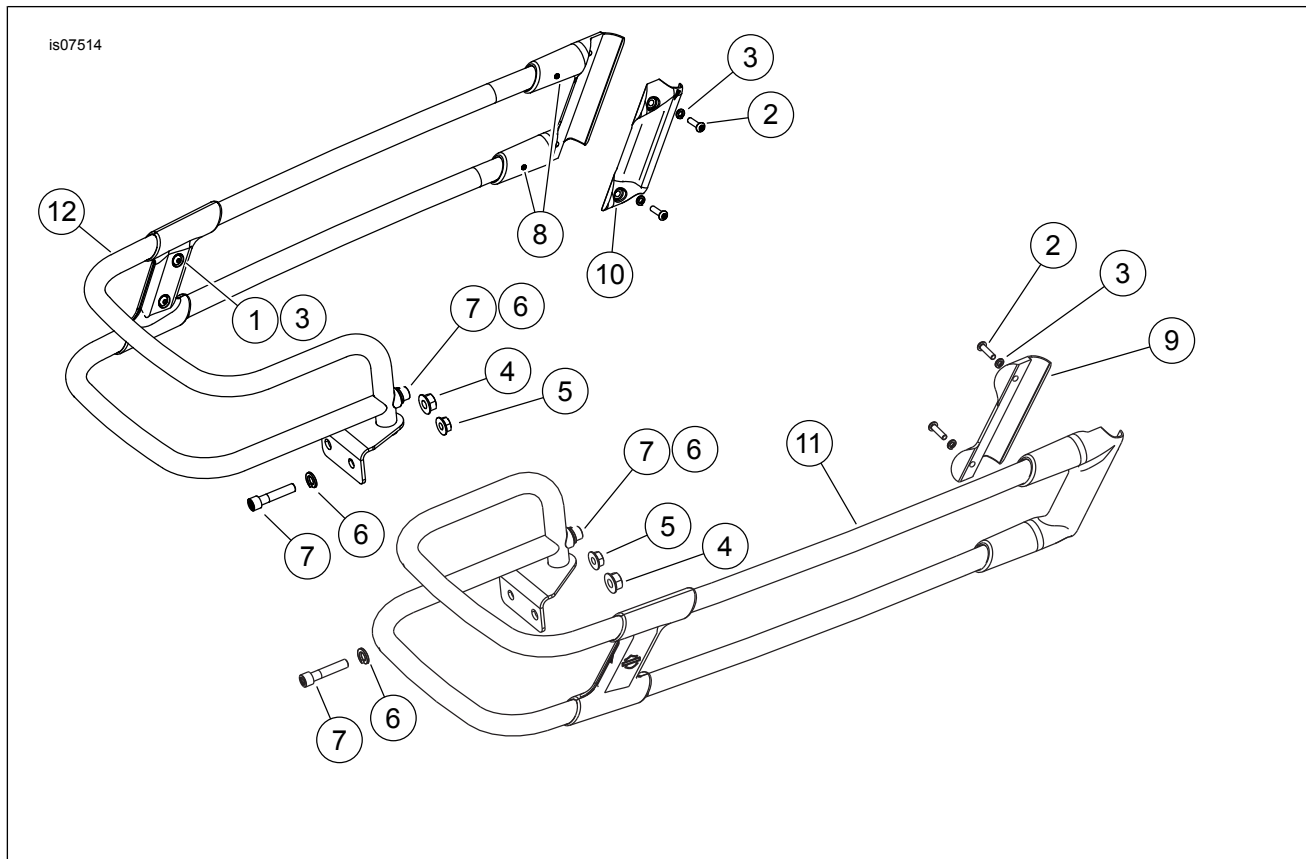


Figure 3. Service Parts: Saddlebag Guard Rail Kit

Table 1. Service Parts Table

Item	Description (Quantity)	Part Number
1	Screw, #10-32 x 0.375 in (4)	2957
2	Screw, #10-32 x 0.75 in (4)	4846
3	Lockwasher, #10 (8)	7069
4	Flange nut (2)	7531
5	Flange nut (2)	7601
6	Lockwasher (4)	94081-90T
7	Screw, TORX (chrome)(4)	94583-98
8	Set screw (4)	12600093
9	Clamp, right	Not Sold Separately
10	Clamp, left	Not Sold Separately
11	Guard rail assembly, right (includes items 1-9)	90201114
12	Guard rail assembly, left (includes items 1-8, 10)	90201115