



INSTRUCTIONS

-J04217

2007-07-16

SOFTAIL DETACHABLE SADDLEBAG DOCKING HARDWARE KIT

GENERAL

Kit Number

88256-07

Models

For model fitment information, please see the P&A Retail Catalog or the Parts and Accessories section of www.harley-davidson.com (English only).

Additional Parts Required

Docking Hardware Kit 53932-03 is required for mounting the Softail Detachable Saddlebags.

Turn Signal Relocation Kit (69857-07) must be installed prior to installing this kit on 2003 and later FX Softail models equipped with Detachable Saddlebag Kits 88237-07 or 88238-07.

Loctite® 243 (blue) 99642-97 is available from a Harley-Davidson dealer.

Kit Contents

See Figure 4 and Table 1.

INSTALLATION

1. Install Turn Signal Relocation Kit (69857-07), if applicable and not done already.
2. **Docking points already installed:** See Figure 1. Remove screws (1), front docking point (2), rear docking point (3), and bushings (4) from fender support (5). Discard screws but save docking points and bushings for kit installation. **Docking points not previously installed:**
 - a. See Figure 2. Remove and discard screws (1) from fender support (2).
 - b. Remove the plastic bushings (labeled 01) from the bushing sets included in Docking Hardware Kit 53932-03. Discard the remaining bushings.
3. See Figure 4. Place a bushing (A) into each of the fender support (B) holes. The beveled side of the bushings (Figure 3, Item 1) face out from the fender.
4. Install front and rear docking points (C, D). For each docking point, place the countersunk side of docking point so it engages bushing (Figure 3, Item 2).

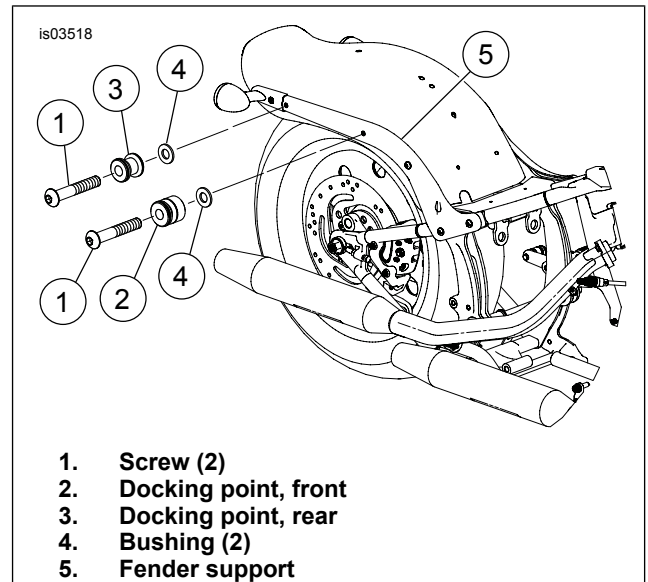


Figure 1. Existing Hardware (With Docking Points)

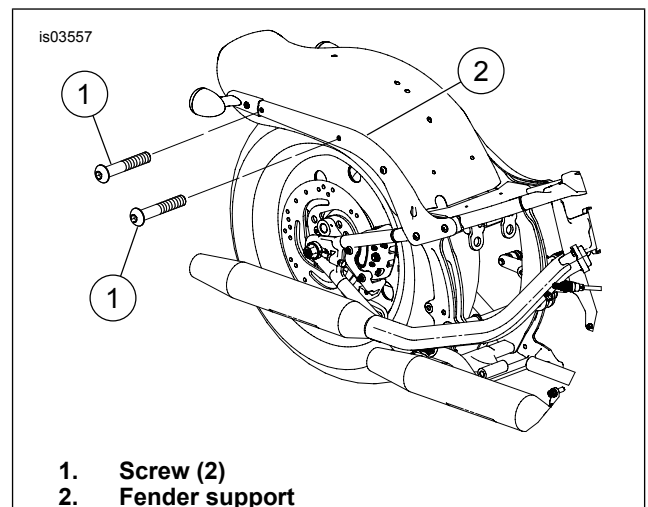


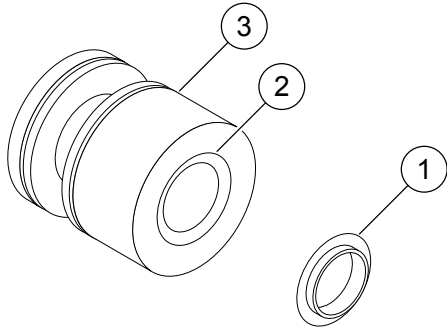
Figure 2. Existing Hardware (Without Docking Points)

NOTE

Make sure Loctite 243 (blue) is applied to docking point screws. Failure to do so may cause the docking points and accessory to become loose on motorcycle.

5. Place mini-docking point (1) on top of (outside) front and rear docking points (C, D).
6. Apply Loctite 243 (blue) to last four threads of docking point screws.

is03519



- 1. Beveled side of bushing
- 2. Countersunk end (faces fender support)
- 3. Docking point

Figure 3. Docking Point and Bushing

NOTE

After 500 miles of on road use with the saddlebags installed, it is necessary to check the torque on the saddlebag mounting screws. Check to make sure the torque is still 21-27 ft-lbs (28-37 Nm). Tighten if necessary.

- 7. Thread screws (2) through mini-docking points, front and rear docking points, bushings, and into fender and bracket (underneath fender). Tighten screws to 21-27 ft-lbs (28-37 Nm).

NOTICE

Failure to tighten hardware to the specified torque could result in damage to the installed accessory. (00508b)

- 8. Repeat steps for opposite side.

MAINTENANCE

NOTE

After 500 miles of on road use with the saddlebags installed, it is necessary to check the torque on the saddlebag mounting screws. Check to make sure the torque is still 21-27 ft-lbs (28-37 Nm). Tighten if necessary.

In time, docking points may wear, causing the mating luggage rack, sideplates, or saddlebags to become loose or rattle. If this occurs:

- 1. Remove docking hardware (screws)
- 2. Clean threadlocker residue off of screw threads.
- 3. Apply Loctite 243 (blue) to last four threads of docking point screws.
- 4. Install screws loosely for now.
- 5. Rotate docking points clockwise approximately 45° from their previous position.
- 6. Tighten the docking hardware to 21-27 ft-lbs (28-37 Nm).
- 7. Repeat as required, up to three adjustments. After the third adjustment, new docking points must be installed.

SERVICE PARTS

is03520

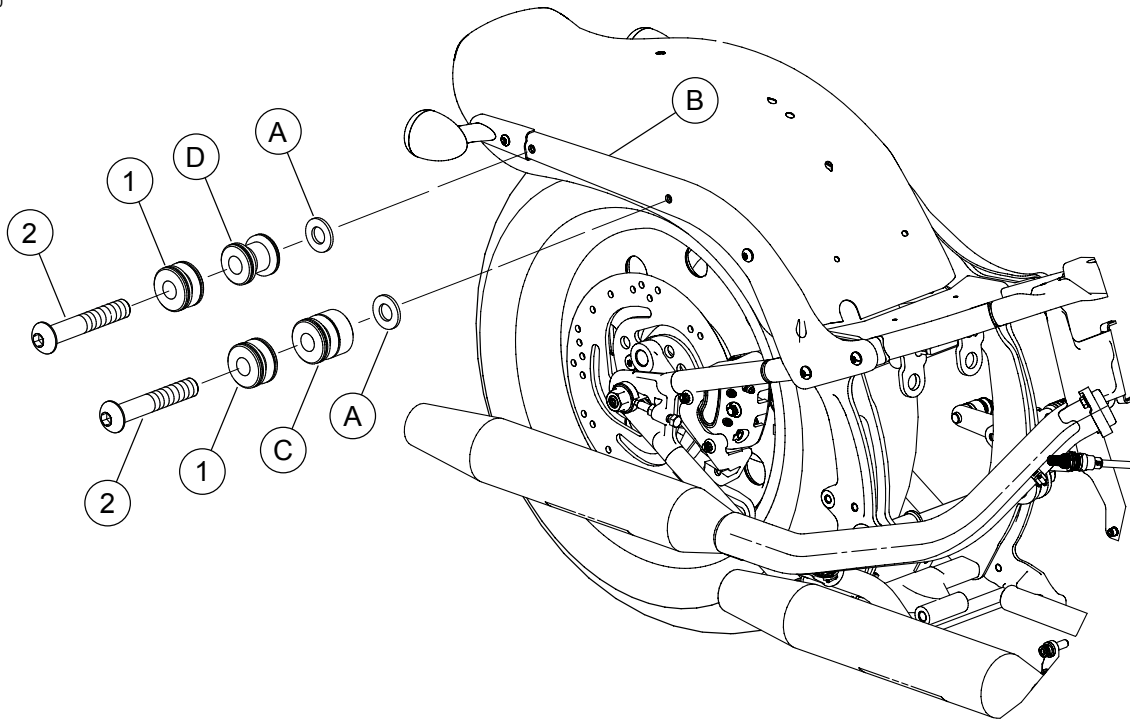


Figure 4. Service Parts: Softail Detachable Saddlebag Docking Hardware Kit

Table 1. Service Parts: Softail Detachable Saddlebag Docking Hardware Kit

Item	Description (Quantity)	Part Number	Item	Description (Quantity)	Part Number
1	Docking point, mini (4)	53967-06	Items not included in kit:		
2	Screw, 3/8-16 x 2-1/4 in. (4)	4154	A	Bushing (2)	Part of Docking Hardware Kit 53932-03
Items included in kit but not shown:			B	Fender support	

Table 1. Service Parts: Softail Detachable Saddlebag Docking Hardware Kit

Item	Description (Quantity)	Part Number	Item	Description (Quantity)	Part Number
3	Screw, 5/16-18 x 2-1/4 in. Grade 8 (2) (Used for lower front docking point mounting for part numbers 88237-07 and 88238-07)	4670	C	Docking point, front	Part of Docking Hardware Kit 53932-03
4	Spacer, 0.558 (2) (Used for lower front docking point mounting for part numbers 88237-07 and 88238-07)	6472	D	Docking point, rear	Part of Docking Hardware Kit 53932-03