



# INSTRUCTIONS

-J05042

2017-01-13

## SCREAMIN' EAGLE NIGHT STICK PERFORMANCE MUFFLER KIT

### GENERAL

#### Kit Numbers

80872-12, 64900137

#### Models

For model fitment information, see the P&A retail catalog or the Parts and Accessories section of [www.harley-davidson.com](http://www.harley-davidson.com) (English only).

#### Installation Requirements

Proper installation of this kit requires the separate purchase of one muffler clamp (Part No. 65296-95A).

#### ⚠ WARNING

**The rider's safety depends upon the correct installation of this kit. Use the appropriate service manual procedures. If the procedure is not within your capabilities or you do not have the correct tools, have a Harley-Davidson dealer perform the installation. Improper installation of this kit could result in death or serious injury. (00333a)**

#### NOTE

*This instruction sheet references service manual information. A service manual for this year/model motorcycle is required for this installation. One is available from a Harley-Davidson dealer.*

#### Kit Contents

See Figure 2 and Table 1.

#### Product Information

#### Tampering Prohibition

Federal law prohibits any modifications to this exhaust system which cause the motorcycle to exceed Federal noise standards. Use of a motorcycle with such a modified exhaust system is also prohibited.

#### Noise Emission Warranty

Harley-Davidson warrants that these mufflers, at the time of sale, meet all applicable United States E.P.A. Federal Noise and Emissions standards. This warranty extends to the original purchaser for purposes other than resale, and to all subsequent buyers. Direct warranty claims to an authorized Harley-Davidson dealer.

#### NOTE

*To avoid penalties under state and local ordinances, repair or replace this product if motorcycle noise increases significantly through use.*

### INSTALLATION

1. Remove saddlebags. See service manual.
2. See Figure 1. Remove two clamps (4). Remove collector heat shield (5).

#### NOTE

*Note clamp (8) orientation before removal. **New** clamp installs in the same orientation.*

3. Remove and discard original equipment (OE) muffler clamp (8).

#### NOTE

*Do not remove flange nut and pin (6). They slide out as an assembly when the muffler is removed.*

4. Remove and retain OE bolt (1).
5. Remove currently installed muffler from exhaust bracket and head pipe. If rubber isolator (7) pulls out of exhaust bracket, push it back into place.
6. Place a **new** muffler clamp on inlet end of muffler in the same orientation as the OE clamp.
7. Slide muffler onto head pipe while aligning the new pin bracket with the hole in the rubber isolator (7).
8. Align the holes in the muffler bracket and the exhaust bracket. Install screw (1). Tighten screw.  
Torque: 23–28 N·m (17–21 ft-lbs) *Screw*
9. Tighten new muffler clamp (8).  
Torque: 61–81 N·m (45–60 ft-lbs) *Muffler clamp*
10. Install the collector heat shield (5) with clamps (4).

#### NOTICE

**Wipe all fingerprints off of exhaust system components after installation and before starting engine. Oil from hands can leave permanent marks on exhaust system finish. (00346a)**

11. Wipe muffler clean of all fingerprints. Oil from hands will burn permanently into chrome finish.
12. Start engine. Check for exhaust leaks.
13. Install saddlebags. See service manual.



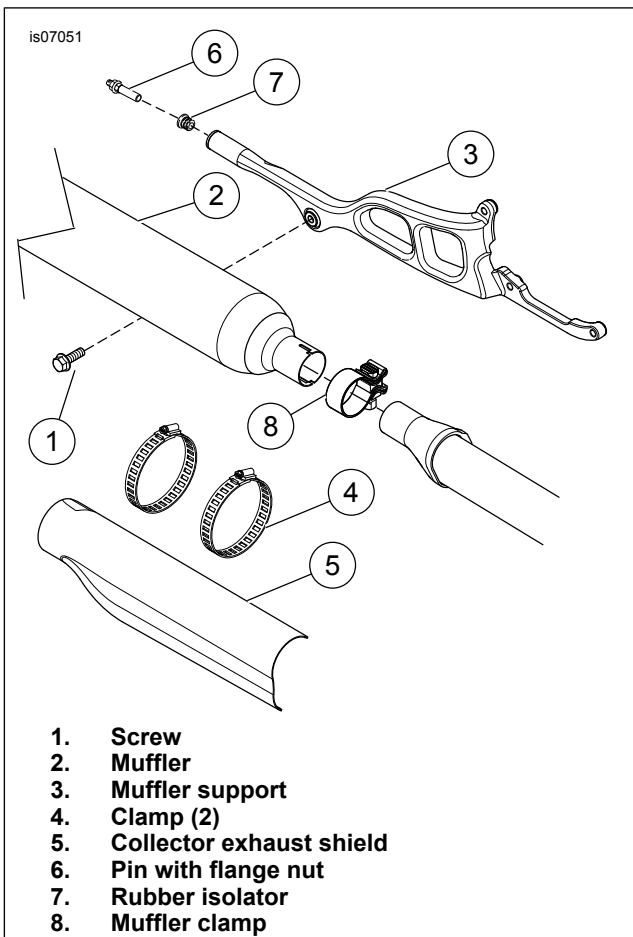


Figure 1. Remove OE Exhaust

## SERVICE PARTS

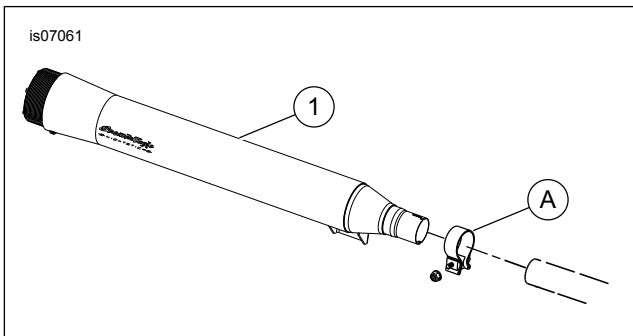


Figure 2. Service Parts: Night Stick Performance Muffler Kit

Table 1. Service Parts

Item	Description (Quantity)	Part Number
1	Muffler	Not sold separately
<b>Items mentioned in text, but not included in kit:</b>		
A	Muffler clamp (purchased separately)	65296-95A