



# INSTRUCTIONS

-J04867

REV. 2009-05-28

## SPORTSTER ACCESSORY SLIP-ON MUFFLER KITS

### GENERAL

#### Kit Numbers

80859-10

#### Models

For the most up-to-date model fitment information, see the P&A Retail Catalog or the Parts and Accessories section of [www.harley-davidson.com](http://www.harley-davidson.com) (English only).

### WARNING

**The rider's safety depends upon the correct installation of this kit. Use the appropriate service manual procedures. If the procedure is not within your capabilities or you do not have the correct tools, have a Harley-Davidson dealer perform the installation. Improper installation of this kit could result in death or serious injury. (00333a)**

#### NOTE

*This instruction sheet references service manual information. A service manual for your model motorcycle is required for this installation and is available from a Harley-Davidson Dealer.*

#### Additional Parts Required

Proper installation of these kits requires the separate purchase of two TORCA® muffler clamps (65283-94A) and four muffler clamps (10074).

#### Kit Contents

See Figure 1 and Table 1.

### PRODUCT INFORMATION

#### Tampering Prohibition

Federal law prohibits any modification to this exhaust system which causes the motorcycle to exceed the Federal noise standard. Use of the motorcycle with such a modified exhaust system is also prohibited.

#### Noise Emission Warranty

Harley-Davidson warrants that these mufflers, at the time of sale, meets all applicable United States E.P.A. Federal noise and Emissions standards. This warranty extends to the first person who buys these mufflers for purposes other than resale, and to all subsequent buyers. Warranty claims should be directed to an authorized Harley-Davidson Dealer.

#### NOTE

*This product should be checked for repair or replacement if the motorcycle noise has increased significantly through use. Otherwise, the owner may become subject to penalties under state and local ordinances.*

### INSTALLATION

1. Remove mufflers using service manual instructions.
2. Discard gaskets and mufflers.
3. See Figure 1. Install new gaskets (1) on new mufflers (2).
4. Slip new Torca clamps (A) (purchased separately) on mufflers.
5. Loosely attach mufflers to the interconnect tube using existing screws and washers.
6. Position the ends of the front and rear exhaust pipes into front and rear cylinder heads and align exhaust system while tightening all nuts and bolts; begin at the cylinder head exhaust ports and work back toward the mufflers.
  - a. Finger-tighten the upper nuts to the mounting studs.
  - b. Tighten the lower nut to 9-18 **in-lbs** (1.0-2.1 Nm).
  - c. Tighten the upper nut to 60-80 **in-lbs** (6.8-9.0 Nm).
  - d. Tighten the lower nut to 60-80 **in-lbs** (6.8-9.0 Nm).
7. Tighten the acorn nut on the rear exhaust pipe support clamp to 15-19 ft-lbs (20.3-25.8 Nm).
8. Tighten Torca clamps (A) to 45-60 ft-lbs (61-81.3 Nm).

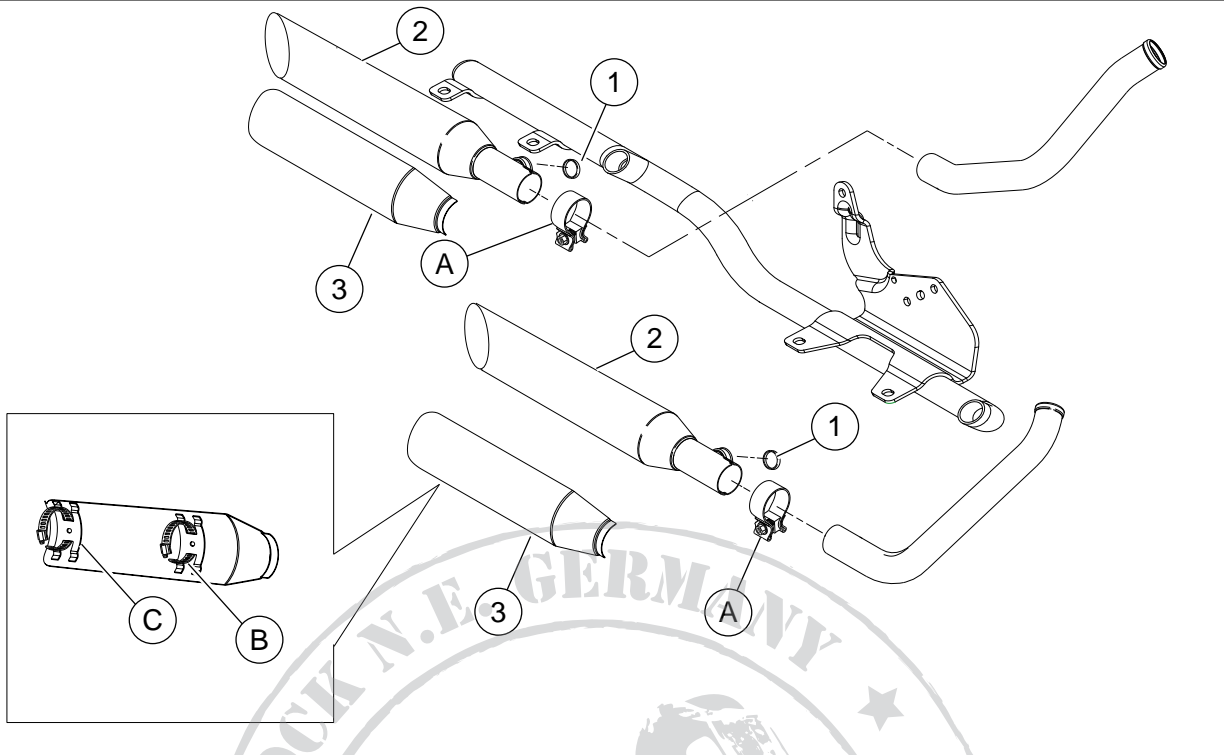
### CAUTION

**Wipe all fingerprints off of exhaust system components after installation and before starting engine. Oil from hands can leave permanent marks on exhaust system finish. (00346a)**

9. Wipe muffler clean of all fingerprints. Oil from hands will burn permanently into chrome finish.
10. Install two muffler clamps (B) (purchased separately) through the H-clamps (C) on the inside of each new heat shield (3).
11. Carefully position the heat shield on the muffler and wrap the ends of the muffler clamps around the muffler.
12. Tighten muffler clamps securely.

# SERVICE PARTS

is06200



**Figure 1. Service Parts: Slip-On Muffler Kits**

**Table 1. Service Parts: Sportster Accessory Slip-on Muffler Kits**

Item	Description (Quantity)	Part Number
1	Gasket (2)	65927-00
2	Shorty-Dual slash down mufflers (set of 2)	Not Sold Separately
3	Muffler heat shields, black (2)	Not Sold Separately
<b>Items mentioned in text but not included in kit (purchased separately).</b>		
A	Torca clamp (2) (separate purchase)	65283-94A
B	Muffler clamp (4) (separate purchase)	10074
C	H-clamp	Reference only