



INSTRUCTIONS

-J04385

2011-03-01

SHOTGUN STYLE ACCESSORY SLIP-ON MUFFLER KITS

GENERAL

Kit Numbers

80680-08, 80681-08, 80621-10, 80781-10, 80680-12, 80681-12

Models

For the most up-to-date model fitment information, see the P&A Retail Catalog or the Parts and Accessories section of www.harley-davidson.com (English only).

▲ WARNING

The rider's safety depends upon the correct installation of this kit. Use the appropriate service manual procedures. If the procedure is not within your capabilities or you do not have the correct tools, have a Harley-Davidson dealer perform the installation. Improper installation of this kit could result in death or serious injury. (00333a)

NOTE

This instruction sheet references service manual information. A service manual for your model motorcycle is required for this installation and is available from a Harley-Davidson Dealer.

Additional Parts Required

Proper installation of these kits requires the separate purchase of two muffler clamps, Harley-Davidson Part Number 65296-95A.

Kit Contents

See Figure 1 and Table 1.

There are no service parts available with this kit.

PRODUCT INFORMATION

Tampering Prohibition

Federal law prohibits any modification to this exhaust system which causes the motorcycle to exceed the Federal noise standard. Use of the motorcycle with such a modified exhaust system is also prohibited.

Noise Emission Warranty

Harley-Davidson warrants that these mufflers, at the time of sale, meet all applicable United States E.P.A. Federal noise and Emissions standards. This warranty extends to the first person who buys these mufflers for purposes other than

resale, and to all subsequent buyers. Warranty claims should be directed to an authorized Harley-Davidson Dealer.

NOTE

This product should be checked for repair or replacement if the motorcycle noise has increased significantly through use. Otherwise, the owner may become subject to penalties under state and local ordinances.

INSTALLATION

▲ WARNING

To prevent accidental vehicle start-up, which could cause death or serious injury, disconnect negative (-) battery cable before proceeding. (00048a)

1. Disconnect negative (-) battery cable.
2. Open the worm drive clamps and remove heat shields from mufflers. Retain shields and clamps for installation on new mufflers.
3. Remove mufflers according to applicable service manual instructions. Remove brackets from original mufflers.
4. Install brackets onto new mufflers. Tighten screws to 10.8–13.6 N·m (96–120 in-lbs).
5. Install original heat shields and clamps onto **new** mufflers.
6. Install **new** clamps (purchased separately) onto mufflers and slide onto headpipes.
7. See Figure 1. Reuse fasteners and tighten **new** muffler clamps to 61–81.3 N·m (45–60 ft-lbs). Tighten screws and washers to 20.3–25.8 N·m (15–19 ft-lbs).

NOTICE

Wipe all fingerprints off of exhaust system components after installation and before starting engine. Oil from hands can leave permanent marks on exhaust system finish. (00346a)

8. Wipe mufflers clean of all fingerprints. Oil from hands will burn permanently into chrome finish.
9. Connect the negative (-) battery cable.
10. Start motorcycle and check for exhaust leaks.



SERVICE PARTS

is02534

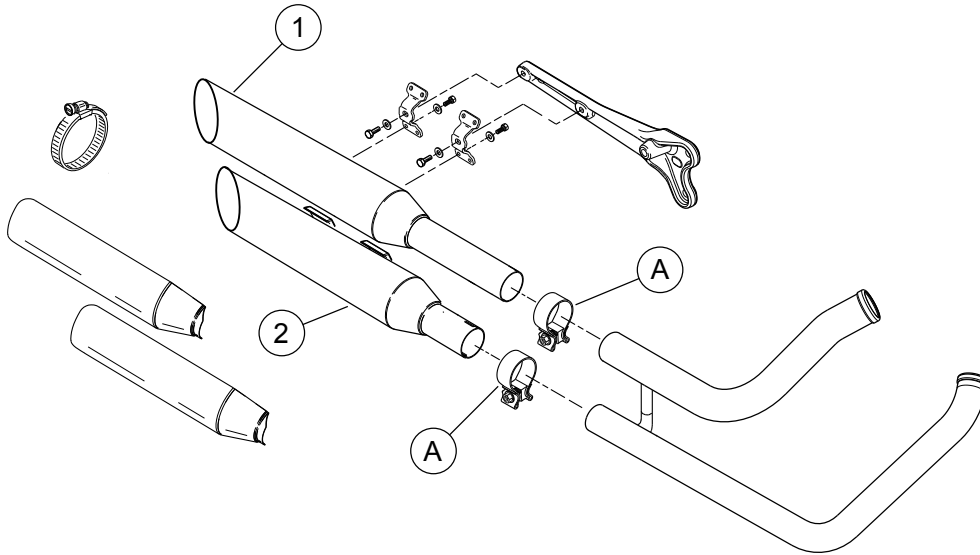


Figure 1. Service Parts: Shotgun Style Accessory Slip-On Muffler Kits

Table 1. Service Parts: Shotgun Style Accessory Slip-On Muffler Kits

Item	Description (Quantity)	Part Number
1	Muffler assembly, slash down, rear	Not Sold Separately
2	Muffler assembly, slash down, front	Not Sold Separately
Items mentioned in text but not included in kit (Must be purchased separately).		
A	Muffler clamp (2)	65296-95A

Note: Items not called out are original equipment parts.