



INSTRUCTIONS

-J04260

2011-06-10

DYNA STREET PERFORMANCE SLIP-ON ACCESSORY MUFFLERS

GENERAL

Kit Numbers

80674-08A, 80601-09A, 64900124

Models

For the most up-to-date model fitment information, see the P&A Retail Catalog or the Parts and Accessories section of www.harley-davidson.com (English only).

Additional Parts Required

Proper installation of these kits requires the separate purchase of two muffler clamps (part no. 65283-94A).

▲ WARNING

The rider's safety depends upon the correct installation of this kit. Use the appropriate service manual procedures. If the procedure is not within your capabilities or you do not have the correct tools, have a Harley-Davidson dealer perform the installation. Improper installation of this kit could result in death or serious injury. (00333a)

NOTE

This instruction sheet references service manual information. A service manual for your model motorcycle is required for this installation and is available from a Harley-Davidson dealer.

Kit Contents

There are no service parts for these kits.

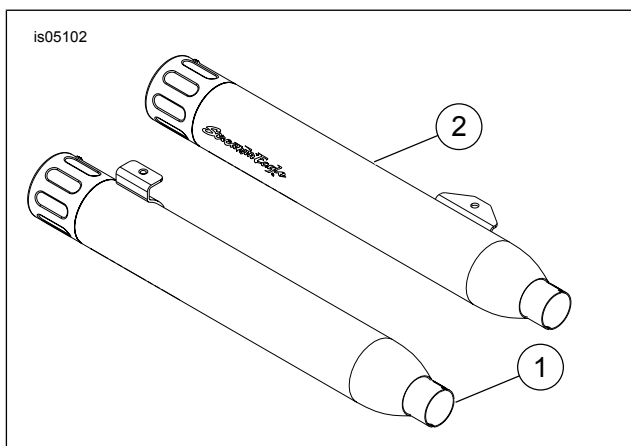


Figure 1. Kits: Dyna Performance Slip-on Mufflers

Table 1. Kits

Item	Description (Quantity)
Kit 80674-08A	
1	Muffler assembly, chrome, straight cut, front
2	Muffler assembly, chrome, straight cut, rear
Kit 80601-09A	

Table 1. Kits

Item	Description (Quantity)
1	Muffler assembly, black, straight cut, front
2	Muffler assembly, black, straight cut, rear
Kit 64900124	
1	Muffler assembly, black, straight cut, front
2	Muffler assembly, black, straight cut, rear

PRODUCT INFORMATION

Tampering Prohibition

Federal law prohibits any modification to this exhaust system which causes the motorcycle to exceed the Federal noise standard. Use of the motorcycle with such a modified exhaust system is also prohibited.

Noise Emission Warranty

Harley-Davidson warrants that these mufflers, at the time of sale, meets all applicable United States E.P.A. Federal noise and Emissions standards. This warranty extends to the first person who buys these mufflers for purposes other than resale, and to all subsequent buyers. Warranty claims should be directed to an authorized Harley-Davidson Dealer.

NOTE

This product should be checked for repair or replacement if the motorcycle noise has increased significantly through use. Otherwise, the owner may become subject to penalties under state and local ordinances.

INSTALLATION

▲ WARNING

To prevent accidental vehicle start-up, which could cause death or serious injury, disconnect negative (-) battery cable before proceeding. (00048a)

1. Disconnect negative (-) battery cable.
2. Loosen stock muffler clamps and remove nuts that attach mufflers to muffler support tube. Remove stock mufflers. Save all mounting hardware for installation.

NOTE

Before tightening nuts that attach mufflers to muffler support tubes, make sure the front muffler is positioned as far forward in its brackets slot as possible. This will eliminate any possible contact between the mufflers.

3. Install new mufflers using muffler clamps (purchased separately) and stock mounting hardware saved from Step 2. Do not tighten hardware at this time.
4. Tighten muffler clamp bolts to 61–81 N·m (45–60 ft-lbs). Tighten nuts that attach mufflers to muffler support tube snugly.

5. Connect the negative (-) battery cable.