



INSTRUCTIONS

-J04932

REV. 2011-01-27

BOOM! AUDIO SPEAKER KITS

GENERAL

Kit Numbers

77028-10, 77037-10, 77181-10, 76000074

Models

For model fitment information, see the P&A retail catalog or the Parts and Accessories section of www.harley-davidson.com (English only).

Table 1. Speaker Kits

Kit	Application
77028-10	Front Speaker Kit, Road Glide models
77037-10	Rear Speaker Kit, all models
77181-10	Front Speaker Kit, Electra Glide/Trike models
76000074	Front Speaker and Amplifier Kit, Electra Glide models

NOTES

The speakers provided in these kits have an impedance of 2 Ohms, and are for use **ONLY** with the Harley-Davidson® Advanced Audio System by Harmon/Kardon® AM/FM/CD radio on select fitments. See the P&A retail catalog or the Parts and Accessories section of www.harley-davidson.com (English only).

Use of these speakers on 2005 and earlier Harley-Davidson audio systems **WILL cause permanent damage** to those systems.

Service Manual Required

WARNING

The rider's safety depends upon the correct installation of this kit. Use the appropriate service manual procedures. If the procedure is not within your capabilities or you do not have the correct tools, have a Harley-Davidson dealer perform the installation. Improper installation of this kit could result in death or serious injury. (00333a)

NOTE

This instruction sheet refers to service manual information. A service manual for this year/model motorcycle is required for this installation and is available from a Harley-Davidson dealer.

Kit Contents

Table 2. Kit 77028-10 Contents

Description (Quantity)	Part Number
Speaker, premium (2)	77026-10
Speaker grille, left	Not sold separately
Speaker grille, right	Not sold separately

Table 3. Kit 77037-10 Contents

Description (Quantity)	Part Number
Speaker, premium (2)	77026-10
Trim ring (2)	77050-10

Table 4. Kit 77181-10 Contents

Description (Quantity)	Part Number
Speaker, premium (2)	77026-10
Speaker grille, left	Not sold separately
Speaker grille, right	Not sold separately
Screw, Phillips head, self-tapping (2)	Not sold separately

Table 5. Kit 76000074 Contents

Description (Quantity)	Part Number
Speaker, premium (2)	77026-10
Speaker grille, left	Not sold separately
Speaker grille, right	Not sold separately
Screw, Phillips head, self-tapping (2)	Not sold separately
Amplifier, fairing mounted	76000070
Harness, amplifier	69200105
Cable strap (10)	10006

PREPARATION

NOTE

For vehicles equipped with security siren:

- Verify that the Hands-Free Fob is present.
- Turn the ignition key switch to **IGNITION**.

WARNING

To prevent accidental vehicle start-up, which could cause death or serious injury, remove main fuse before proceeding. (00251b)

1. Refer to the service manual and follow the instructions to remove the main fuse.
2. **Front fairing speakers:**
 - a. Remove the outer fairing and windshield per service manual instructions.
 - b. Follow the service manual instructions to remove the front fairing speakers and adapters.
 - c. **For Kit 76000074 only:** Install the new BOOM! Audio Amplifier kit per Instruction Sheet J05266 included with that kit.

Rear speakers: Remove the speaker grilles and speakers from the speaker boxes per service manual instructions.

INSTALLATION

Front Fairing Speakers, Electra Glide Models

NOTE

To prevent permanent damage to the woofers and outer fairings, the original speaker adapters **MUST** be reused after the following modifications are made.

1. Peel off and discard the plastic grille and fabric from the OE adapter faces. Clean off any dirt or dried adhesive.

NOTE

The speaker grilles are side-specific. The grilles install so that the tweeter is to the outboard side of the vehicle.

2. See Figure 1. Position the correct **new** speaker grille (2) against the face of the adapter (1) as shown, with the thick edge of the adapter **up**, and the tweeter (3) to the outboard side of the vehicle. Feed the tweeter wires out between the grille and adapter on the outboard side.

Position a **new** speaker (4) against the rear face of the adapter as shown, with the spade terminals (5) pointed **up**.

3. See Figure 2. Connect the wires from the grille-mounted tweeter to the spade terminals (1) and (2) on the back of the speaker. Different size spade contacts prevent improper assembly.

4. Align the mounting holes in the speaker, adapter and grille. Use the two longer TORX® screws removed earlier to fasten all three components to the inner fairing through the two top holes.

See Figure 1. Use a **new** Phillips head screw (6) from the kit in the lower outboard hole, capturing the fairing support brace under the screw head. The lower inboard hole is not used.

5. Tighten the **lower** screw to 22-28 **in-lbs** (2.5-3.2 Nm). Tighten the **upper** screws to 35-50 **in-lbs** (4.0-5.7 Nm).
6. See Figure 2. Install the socket terminals from the vehicle harness to the spade terminals (3) and (4) on the back of the speaker. Different size spade contacts prevent improper assembly.
7. Repeat Steps 1 through 6 for the remaining speaker on the opposite side of the vehicle, then proceed to **Rear Speakers, All Models** or **RETURN TO SERVICE** as appropriate.

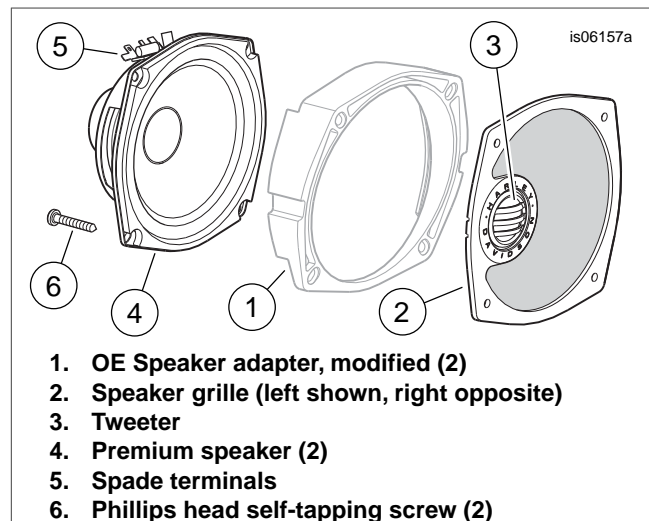


Figure 1. Boom! Audio Front Speaker Kit Components for Electra Glide and Trike

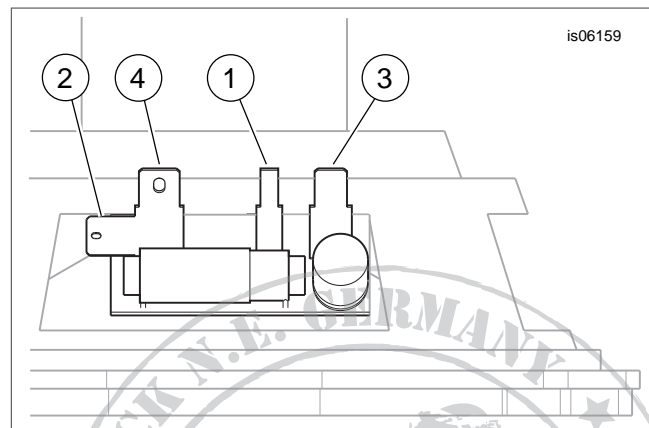


Figure 2. Bagger Speaker Spade Terminals

Front Fairing Speakers, Road Glide Models

1. Peel off and discard the plastic grille and fabric from the OE adapter faces. Clean off any dirt or dried adhesive.

NOTE

Ambient temperature should be **at least 60 °F (16 °C)** for proper adhesion of the gasket to the speaker grille.

2. See Figure 3. Remove the liner from the adhesive backing of the gasket strip (4). Carefully position the gasket to the **front** of the **new** speaker grille (2) outer flange, and press firmly into place while working around the entire flange perimeter.

Cut off any excess gasket material, leaving no gap.

- Position a **new** speaker (5) against the rear face of the adapter (1) as shown, with the spade terminals pointed **inboard and down**.

Align the mounting holes in the speaker and adapter. Use the Phillips-head screws (6) removed earlier to fasten the speaker to the adapter.

Tighten the screws to 6-12 **in-lbs** (0.7-1.4 Nm).

- Position the speaker grille against the face of the adapter as shown, with the tweeter (3) to the outboard side of the vehicle. Feed the tweeter wires downward and out between the grille and adapter.
- See Figure 2. Connect the wires from the grille-mounted tweeter to the spade terminals (1) and (2) on the back of the speaker. Different size spade contacts prevent improper assembly.
- Align the mounting holes in the speaker adapter and grille. Use the TORX® screws removed earlier to fasten the adapter and grille to the inner fairing. The top outboard hole is not used.
- Tighten the screws to 6-12 **in-lbs** (0.7-1.4 Nm).
- Install the socket terminals from the vehicle harness to the spade terminals (3) and (4) on the back of the speaker. Different size spade contacts prevent improper assembly.
- Repeat Steps 1 through 8 for the remaining speaker on the opposite side of the vehicle, then proceed to **Rear Speakers, All Models** or **RETURN TO SERVICE** as appropriate.

NOTES

Allow **AT LEAST 24 hours** after applying the gasket before exposing the area to vigorous washing, strong water spray or extreme weather.

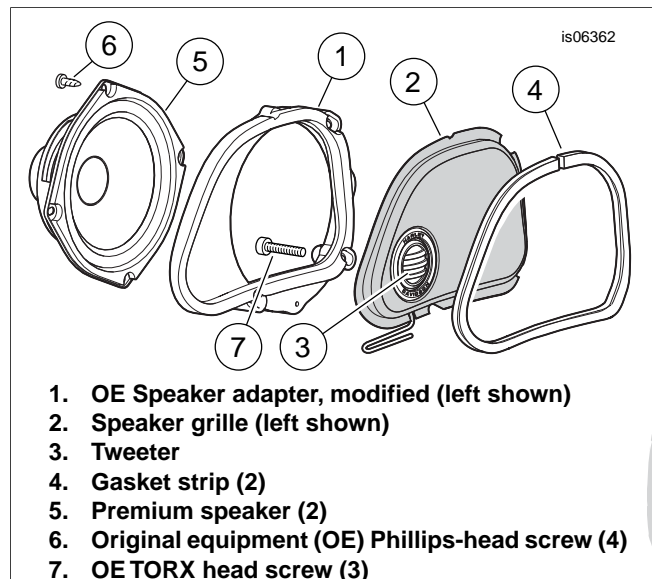
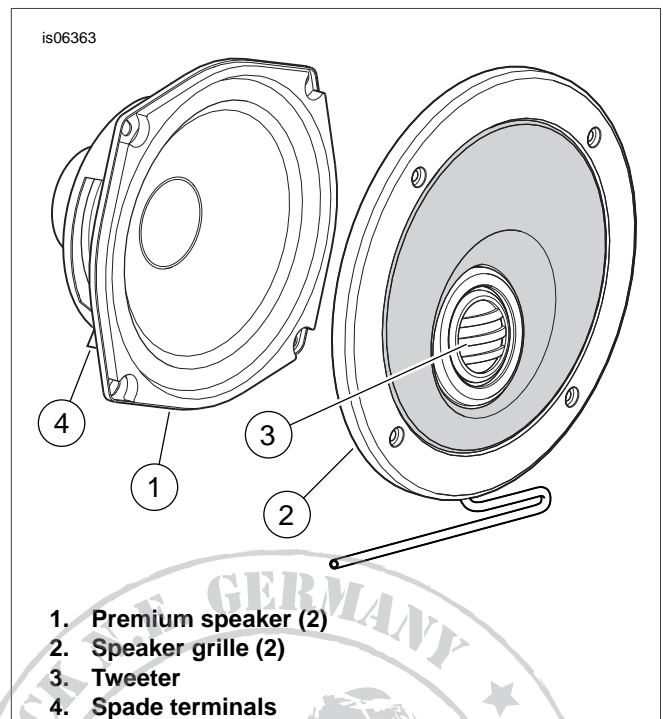


Figure 3. Boom! Audio Front Speaker Kit Components for Road Glide

Rear Speakers, All Models

- See Figure 4. Position a speaker grille (2) against the face of a speaker (1) as shown, with the speaker spade terminals (4) pointed **down**, and the tweeter (3) at the bottom of the grille. Feed the tweeter wires downward and out between the grille and adapter.
- See Figure 2. Connect the wires from the grille-mounted tweeter to the spade terminals (1) and (2) on the back of the speaker. Different size spade contacts prevent improper assembly.
- Install the socket terminals from the vehicle harness to the spade terminals (3) and (4) on the back of the speaker. Different size spade contacts prevent improper assembly.
- With the tweeter at the bottom and the mounting holes aligned, install the speaker and grille into the speaker box with the four Phillips screws removed earlier. Use a crosswise pattern to tighten all four screws.
- Repeat Steps 1 through 4 for the remaining speaker on the opposite side of the vehicle, then proceed to **RETURN TO SERVICE**.



- Premium speaker (2)
- Speaker grille (2)
- Tweeter
- Spade terminals

Figure 4. Boom! Audio Rear Speaker Kit Components

RETURN TO SERVICE

NOTES

Before installing the outer fairing, check that speakers are operating correctly, understanding that full sound quality and fidelity will not be achieved until the outer fairing is completely installed.

*Verify that the ignition key switch is in the OFF position **before** installing the main fuse.*

1. Refer to the service manual and follow the instructions given to install the main fuse.
2. Turn the ignition key switch to IGNITION, but do not start the motorcycle.

3. Refer to the ADVANCED AUDIO SYSTEM section of the owner's manual and turn the radio or CD player ON. Make sure all speakers are working and front/rear fader function is operating correctly. If not, check speaker wiring.
4. Install the outer fairing and windshield per service manual instructions.

IN USE

During use, the domed tweeters may appear to take on an orange tint near the base of the dome. This tint is a natural property of the Ferrofluid used to provide proper voice coil functionality. This does not affect speaker performance.

