



INSTRUCTIONS

-J04414

REV. 2011-07-08

ADVANCED AUDIO COMMUNICATION SWITCH KIT

GENERAL

Kit Number

77173-08

Models

For model fitment information, see the P&A retail catalog or the Parts and Accessories section of www.harley-davidson.com (English only).

Additional Parts Required

Separate purchase of the following items is required for proper installation of this Communication Switch Kit on this model motorcycle.

- Non-Ultra overlay harness (Part No. 70169-06A)
- Fuel Tank Console (Part No. 61270-08)
- Clip (Part No. 10103)
- Clip (Part No. 10120)

All of these items are available from a Harley-Davidson dealer.

The console screws, fuel door, gasket and mounting bracket can be reused.

See a Harley-Davidson dealer for availability of optional decorative inserts for the Console Pod Assembly contained in this kit.

⚠ WARNING

The rider's safety depends upon the correct installation of this kit. Use the appropriate service manual procedures. If the procedure is not within your capabilities or you do not have the correct tools, have a Harley-Davidson dealer perform the installation. Improper installation of this kit could result in death or serious injury. (00333a)

NOTE

This instruction sheet refers to service manual information. A service manual for this year/model motorcycle is required for this installation and is available from a Harley-Davidson dealer.

Kit Contents

See Figure 1 and Table 1.

INSTALLATION

NOTE

For 2007 and later vehicles equipped with security siren:

- Verify that the Hands-Free Fob is present.
- Turn the ignition key switch to IGNITION.

⚠ WARNING

To prevent accidental vehicle start-up, which could cause death or serious injury, remove main fuse before proceeding. (00251b)

1. Refer to the service manual and follow instructions to remove the main fuse.
2. Refer to the instructions included with the Advanced Audio CB Radio or Intercom Kit, and proceed with **that** installation until the items in **this** kit are called for.
3. Remove the outer fairing and windshield per service manual instructions.
4. On the fairing cap, remove the inner left side hole plug. See the service manual and Figure 1. Install the fairing speaker switch (4) in the opening as follows:

If a cruise control switch IS present: Follow the instructions in the service manual to install the speaker switch.

If a cruise control switch IS NOT present:

- a. Obtain the speaker switch adapter wire (5) from the kit, and the sealed splice connector included with the speaker switch.
 - b. Refer to the service manual. Splice the adapter wire to the black/green speaker switch lead.
 - c. Insert the terminated end of the adapter wire into cavity 12 of the fairing cap switch connector [105B].
5. Remove the original equipment left-hand control switch assembly per the instructions in the service manual.
 6. Install the **new** left-hand control switch assembly (3) from the kit.

⚠ WARNING

When servicing the fuel system, do not smoke or allow open flame or sparks in the vicinity. Gasoline is extremely flammable and highly explosive, which could result in death or serious injury. (00330a)

7. **ALL models:** Install the console pod assembly (1), and route the harness forward into the fairing per the instructions packaged with the CB Radio or Intercom Kit.

⚠ WARNING

Be sure that steering is smooth and free without interference. Interference with steering could result in loss of vehicle control and death or serious injury. (00371a)

- Be sure the wires do not pull tight when handlebars are turned fully to left or right fork stops.

8. Unless already installed:
 - a. Install the Non-Ultra overlay harness (purchased separately) per the instructions packaged with the CB Radio or Intercom Kit.
 - b. Insert the 35-way connector marked "ULTRA RADIO (28)" to the unused connector on the back of the radio, and the six-way connector marked "INTERCONNECT HARNESS (6)" to the mating connector (6) of the fairing harness. See the service manual for connector location.

NOTE

Verify that the ignition key switch is in the OFF position **before** installing the main fuse.

9. Refer to the service manual and follow the instructions to install the main fuse.
10. Test the communication switch, headset or microphone, and the rest of the sound system for proper operation.
11. Install the outer fairing and windshield per service manual instructions.

SERVICE PARTS

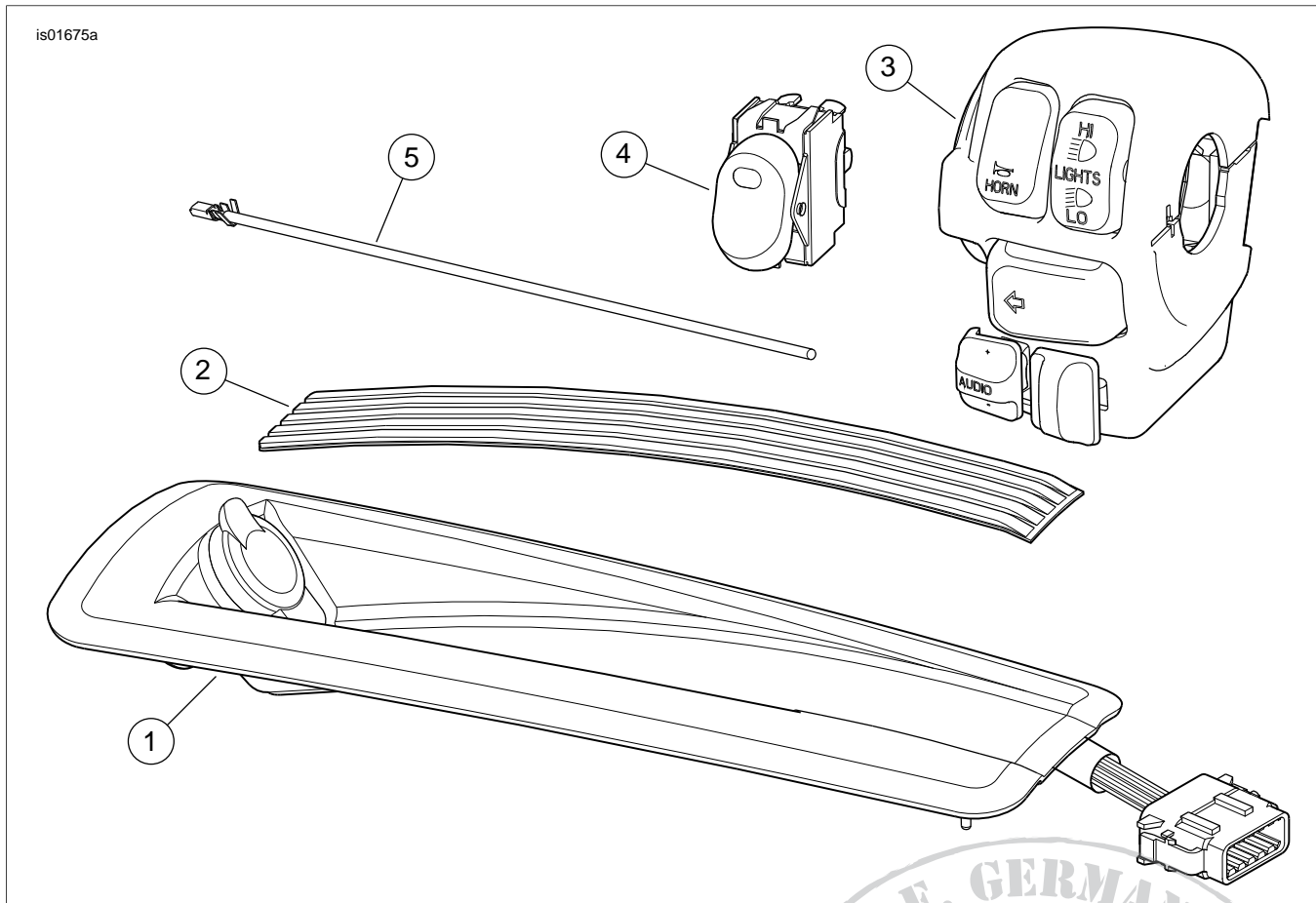


Figure 1. Service Parts, Kit 77173-08

Table 1. Service Parts Table

Item	Description (Quantity)	Part Number
1	Console pod assembly	77136-08
2	Console insert	15347-08
3	Handlebar control assembly, left hand	Not sold separately
4	Speaker selector switch (includes one red sealed-splice connector 70585-93)	77092-98
5	Adapter wire, speaker switch	77174-06