



INSTRUCTIONS

-J04542

REV. 2008-09-30

AM/FM ANTENNA RELOCATION KIT

GENERAL

Kit Number

76556-09

Models

This kit is used to relocate a fender-mounted AM/FM antenna to a Detachable Tour-Pak® on specific model motorcycles. For model fitment information, see the P&A retail catalog or the Parts and Accessories section of www.harley-davidson.com (English only).

Additional Parts Required

FLHT models will require separate purchase of an antenna mast, unless a radio had previously been installed. See a Harley-Davidson dealer for available antenna masts.

Kit Contents

See Figure 5 and Table 1.

TOUR-PAK PREPARATION

NOTE

Harley-Davidson strongly recommends that the antenna be installed where indicated. In this position the antenna will cause the least interference with the opening and closing of the Tour-Pak lid.

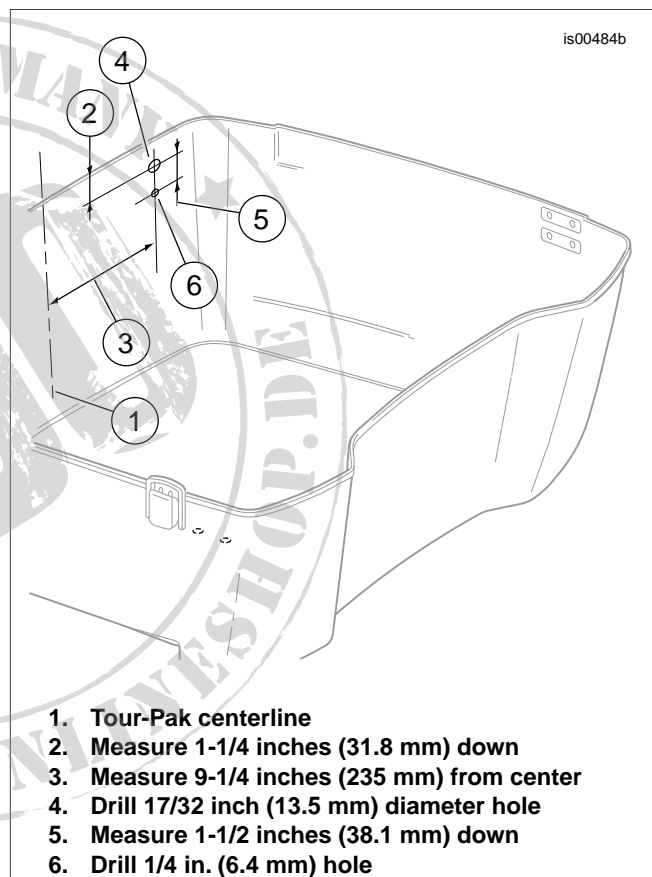
1. Refer to the owner's manual and follow the instructions given to remove the left-side saddlebag.
2. Open the Tour-Pak lid and remove all items from the Tour-Pak base.
3. **Models with rubber mat:** Remove the mat.
Models with molded liner: Open the map pocket and remove the acorn nuts with flat washers. Remove the map pocket and liner.
4. **For FLHTC models:** See Figure 5. Disconnect the AM/FM antenna cable from the original equipment (OE) antenna base (7) inside the Tour-Pak.

Proceed to **AM/FM Antenna Bracket Mounting to Fender (FLHT and FLHTC Models)**.

For FLHT, FLHX and FLTR models: See Figure 1. Measure and determine the center (1) of the outside rear Tour-Pak wall.

5. Lay a strip of 2 inch (51 mm) wide masking tape from top to bottom over the approximate center of the outside rear Tour-Pak wall.
6. Measure again, and mark the center near the top of the tape strip. Measure and mark the center near the bottom of the strip. Draw a line from the top mark to the bottom mark.

7. Facing the tape, measure 9-1/4 inches (235 mm) from the center line to the left side of the outside rear Tour-Pak wall.
8. Lay a strip of 2 inch (51 mm) wide masking tape from the top to approximately half way down the outside rear Tour-Pak wall at the 9-1/4 inch (235 mm) distance (3) from the center line.



1. Tour-Pak centerline
2. Measure 1-1/4 inches (31.8 mm) down
3. Measure 9-1/4 inches (235 mm) from center
4. Drill 17/32 inch (13.5 mm) diameter hole
5. Measure 1-1/2 inches (38.1 mm) down
6. Drill 1/4 in. (6.4 mm) hole

Figure 1. Tour-Pak AM/FM Antenna Drilling Location

9. Measure again, and mark the tape 9-1/4 inches (235 mm) from the center line, near the top of the tape strip and again near the bottom of the strip. Draw a line from the top mark to the bottom mark.
10. Measure down 1-1/4 inches (31.8 mm) from the top edge of the Tour-Pak on the left-side vertical line, and draw a short horizontal line (2) across the vertical line.
11. Measure down 1-1/2 inches (38.1 mm) from the first horizontal line, and draw another short horizontal line (5) across the vertical line.

12. Drill the antenna mounting holes as follows:
 - a. Mark the center of the crossed lines with a center punch.
 - b. Drill two 1/8 inch (3 mm) guide holes through the Tour-Pak wall.
 - c. Drill a 17/32 inch (13.5 mm) hole (4) through the **upper** guide hole.
 - d. Drill a 1/4 inch (6.4 mm) hole (6) through the **lower** guide hole.
13. Remove the tape. Lightly sand to remove burrs and sharp edges. Clean the Tour-Pak surface of tape residue with a mixture of 50-70% isopropyl alcohol and 30-50% distilled water.

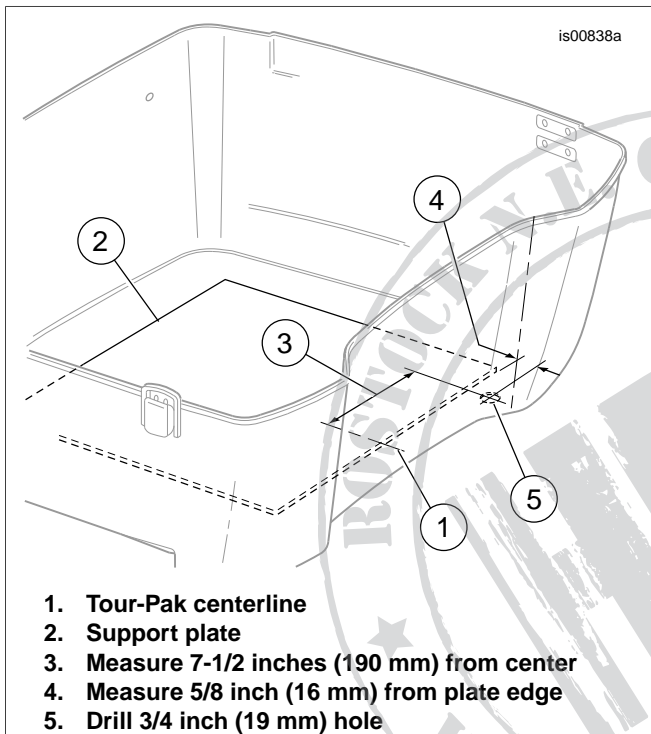


Figure 2. AM/FM Antenna Cable Drilling Location (Type 1 Tour-Pak)

14. **If the Tour-Pak IS drilled for wiring at the lower left forward edge:** Proceed to the section later in these instructions for your model.
 - a. **For FLHT and FLHTC models,** proceed to **AM/FM Antenna Base and Bracket Mounting to Fender.**
 - b. **For FLHX and FLTR models,** proceed to **AM/FM Antenna Mast Removal from Antenna Base.**

If the Tour-Pak IS NOT drilled for wiring at the lower left forward edge, AND:

if the Tour-Pak interior has a MEDIUM GRAY, GLOSSY finish (Type 1 Tour-Pak):

- a. See Figure 2. Measure and determine the center (1) of the support plate (2) that covers the floor of the Tour-Pak.
- b. Lay a strip of 2 inch (51 mm) wide masking tape from the front to about half-way back down the approximate center of the support plate.
- c. Measure again, and mark the center of the support plate at the front of the tape strip, and again near the back. Draw a straight line through the two marks.
- d. Facing the tape, measure 7-1/2 inches (190 mm) from the center line to the left side floor of the Tour-Pak.
- e. Lay a strip of 2 inch (51 mm) wide masking tape on the Tour-Pak floor in front of the support plate at the 7-1/2 inch (190 mm) distance (3) from the center line, from the support plate to the front wall.
- f. Measure again, and mark the tape 7-1/2 inches (190 mm) from the center line, near the front wall and again near the support plate. Draw a line between the two marks.
- g. Measure forward 5/8 inch (16 mm) from the front edge of the support plate (4), and draw a short line across the line drawn in the step above.
- h. Mark the center of the crossed lines with a center punch, then drill a 1/8 inch (3 mm) guide hole through the Tour-Pak floor.
- i. Lay a strip of 2 inch (51 mm) wide masking tape on the outer surface of the Tour-Pak floor, centered on the guide hole. Poke a hole in the tape at the guide hole.
- j. From the underside of the Tour Pak drill a 3/4 inch (19 mm) hole (5) from the outside of the Tour-Pak to the inside.
- k. Remove the tape. Lightly sand to remove burrs and sharp edges. Clean the inside and outside Tour-Pak surfaces of tape residue with a mixture of 50 to 70% isopropyl alcohol and 30 to 50% distilled water.
- l. Proceed to the section later in these instructions for your model.

For FLHT and FLHTC models, proceed to **AM/FM Antenna Base and Bracket Mounting to Fender.**

For FLHX and FLTR models, proceed to **AM/FM Antenna Mast Removal from Antenna Base.**

if the Tour-Pak interior has a **MATTE BLACK** finish (Type 2 Tour-Pak):

- a. See Figure 3. Measure and determine the center (1) of the inside front Tour-Pak wall.
- b. Lay a strip of 2 inch (51 mm) wide masking tape from top to bottom over the approximate center of the inside front Tour-Pak wall.
- c. Measure again, and mark the center near the top of the tape strip. Measure and mark the center near the bottom of the strip. Draw a line from the top mark to the bottom mark.
- d. Facing the tape, measure 6-3/8 inches (162 mm) from the center line to the left side front Tour-Pak wall (2). Do not follow the curve of the wall, but measure **straight across**. See Figure 3 inset.
- e. Lay a strip of 2 inch (51 mm) wide masking tape from the bottom to approximately half way up the inside front Tour-Pak wall at the 6-3/8 inch (162 mm) distance from the center line.
- f. Measure again, and mark the tape 6-3/8 inches (162 mm) **straight across** from the center line, near the top of the tape strip and again near the bottom of the strip. Draw a line from the top mark to the bottom mark.
- g. See Figure 3 (item 4).

For King Tour-Pak: Measure down 7-19/32 inches (193 mm) from the top edge (3) of the Tour-Pak.

For Chopped Tour-Pak: Measure down 4-19/32 inches (117 mm) from the top edge (3) of the Tour-Pak.

Draw a short horizontal line across the vertical line.

- h. Mark the center of the crossed lines with a center punch, then drill a 1/8 inch (3 mm) guide hole through the Tour-Pak front wall.
- i. Lay a strip of masking tape on the outer surface of the Tour-Pak front wall, centered on the guide hole. Poke a hole in the tape at the guide hole.
- j. From the outside of the Tour Pak drill a 3/4 inch (19 mm) hole (5) through the guide hole to the inside.
- k. Remove the tape. Lightly sand to remove burrs and sharp edges. Clean the inside and outside Tour-Pak surfaces of tape residue with a mixture of 50 to 70% isopropyl alcohol and 30 to 50% distilled water.
- l. Proceed to the section later in these instructions for your model.

For FLHT and FLHTC models, proceed to **AM/FM Antenna Base and Bracket Mounting to Fender.**

For FLHX and FLTR models, proceed to **AM/FM Antenna Mast Removal from Antenna Base.**

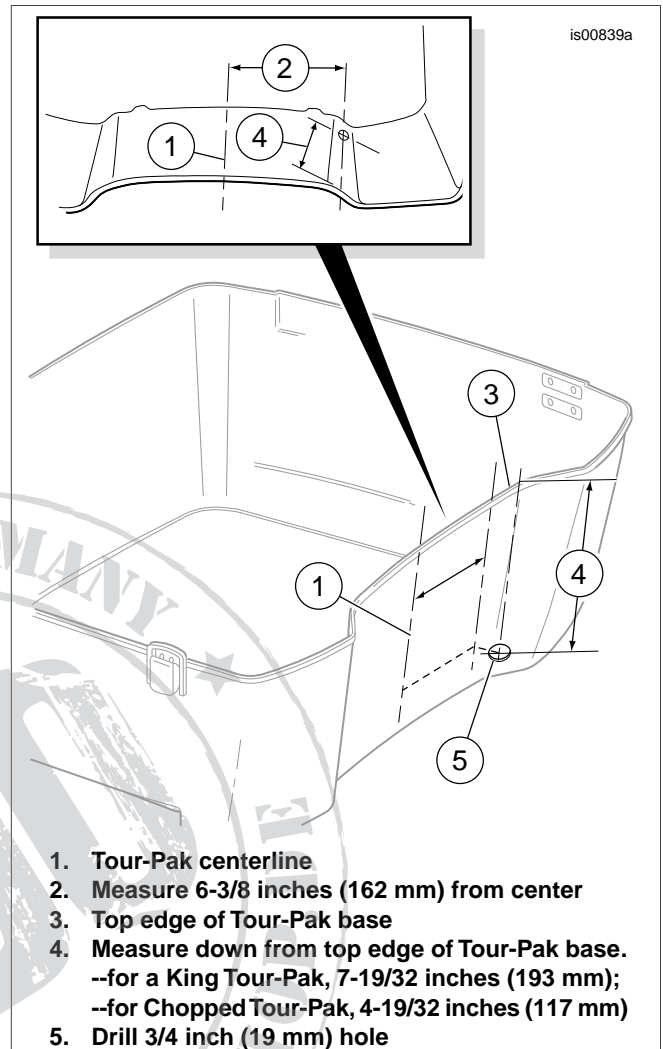


Figure 3. AM/FM Antenna Cable Drilling Location (Type 2 Tour-Pak)

AM/FM ANTENNA MAST REMOVAL FROM ANTENNA BASE, FLHX AND FLTR MODELS

NOTE

The new antenna mounting bracket (1) from the kit is not used for FLHX and FLTR models.

1. See Figure 5. Remove the antenna mast (A) from the antenna base (4) on the original equipment (OE) antenna mounting bracket mounted to the lower portion of the left-side saddlebag rear support bracket.

Proceed to **AM/FM Antenna Connection.**

AM/FM ANTENNA BASE AND BRACKET MOUNTING TO FENDER, FLHT AND FLHTC MODELS

NOTE

See Figure 5. To allow for maximum thread engagement of the antenna/cable adapter (3), position the nuts (5) on the antenna base (4) to leave nearly all of the 1/2-20 thread **above** the upper nut.

1. Install one of the 1/2-20 nuts (5) from the kit onto the antenna base (4). Place the large internal tooth lockwasher (6) on the threads of the antenna base, and insert the base downward through the hole in the **new** antenna mounting bracket (1).
2. Install the second 1/2-20 nut onto the antenna base threads. Place a wrench on the upper nut and tighten the lower nut to 4-8 ft-lbs (5.4-10.8 Nm).

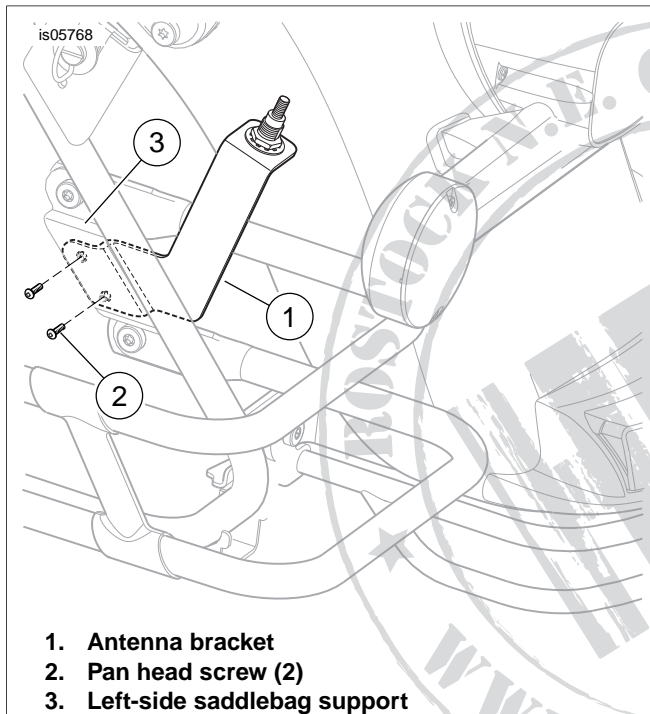


Figure 4. AM/FM Antenna Bracket Mounting to Fender (FLHT and FLHTC)

3. See Figure 4. Install the assembled antenna bracket (1) to the left-side saddlebag support (3) with two pan head screws (2) from the kit. Tighten the screws to 40-60 **in-lbs** (4.5-6.8 Nm).
4. **For FLHT models:** Locate the coiled or bundled excess antenna cable attached to the frame member (under the left-side cover) with a cable strap.

Remove the cable straps retaining the antenna cable to the rear, and feed the excess cable rearward as needed to easily reach the new antenna location and provide suf-

ficient slack at the antenna base to avoid kinking or binding at the connection.

For FLHTC models: Retrieve the vehicle AM/FM antenna cable out from the opening at the lower left forward edge of the Tour-Pak.

5. **For FLHT and FLHTC models:** Plug the vehicle AM/FM antenna cable connector into the underside of the antenna base on the antenna bracket. Tighten the knurled nut to secure the connector to the base.
6. **For FLHT models:** Proceed to **AM/FM Antenna Base Mounting to Tour-Pak**.
For FLHTC models: Proceed to **AM/FM Antenna Connection**.

AM/FM ANTENNA BASE MOUNTING TO TOUR-PAK

1. See Figure 5. Obtain the AM/FM antenna base assembly (7) from the kit. Remove the hex nut (12) and internal tooth lockwasher (11) from the plug assembly (10) on the base.
2. Assemble the base gasket (13) to the antenna base.
3. With the antenna mast stud (9) facing **up**, position the base assembly over the holes drilled earlier in the outside rear Tour-Pak wall. Be sure the plug assembly (10) goes through the larger (top) hole.
4. Place the antenna reinforcement plate (14) in position inside the Tour-Pak. Obtain the ground cable (17) from the kit, and place the large ring terminal over the plug assembly. Use the hex nut (12) and lockwasher (11) to attach the ground cable to the plug assembly, but do not fully tighten at this time.
5. Attach the other end of the ground cable to the left-rear mounting bolt on the floor of the Tour-Pak.
 - a. While holding the hex bolt head, remove the nylon cap locknut, washer and spacer on the underside that fasten the Tour-Pak to the luggage rack top support tube.
 - b. Remove the bolt and flat washer from the hole, and place the small ring terminal of the ground cable onto the bolt threads. Install the bolt back into the hole.
 - c. On the underside of the support tube, install the spacer (concave side up), flat washer and nylon cap locknut on the bolt. With the spacer concavity in line with the support tube rail, hold the nut and tighten the bolt to 96-120 **in-lbs** (10.8-13.5 Nm).
6. Install the TORX® screw (15) and small lockwasher (16) through the smaller (bottom) hole of the antenna reinforcement plate into the antenna base. Tighten the screw securely. Tighten the hex nut (12) securely.
7. Thread the antenna mast assembly (1) onto the antenna base adapter (9).

AM/FM ANTENNA CONNECTION

1. Plug one end of the antenna jumper cable (18) onto the antenna adapter (10), and tighten the knurled nut to secure the connector to the antenna base.
2. Route the other end of the cable down and through the 3/4 inch (19 mm) diameter hole at the lower left forward edge of the Tour-Pak. Route the cable rearward along the inside of the luggage rack and down the saddlebag rear support bracket.
3. Thread the **new** antenna/cable adapter (3) onto the antenna base assembly (4).
4. Plug the antenna cable connector into the antenna/cable adapter. Tighten the knurled nut to secure the connector to the adapter.
5. Make sure enough cable remains in the Tour-Pak so that the cable rests flat on the bottom of the Tour-Pak.
Install the grommet (19) onto the antenna jumper cable near the hole in the Tour-Pak. Carefully work the grommet into the hole to seal the opening around the cable. Refer to the owner's manual and follow the instructions given to install the left-side saddlebag.

NOTE

To prevent possible damage to the sound system, verify that the ignition/light key switch is in the OFF position before installing the main fuse.

6. Verify that the ignition/light key switch is in the OFF position. Refer to the owner's manual and follow the instructions given to install the main fuse.
7. Test the radio for proper operation.



SERVICE PARTS

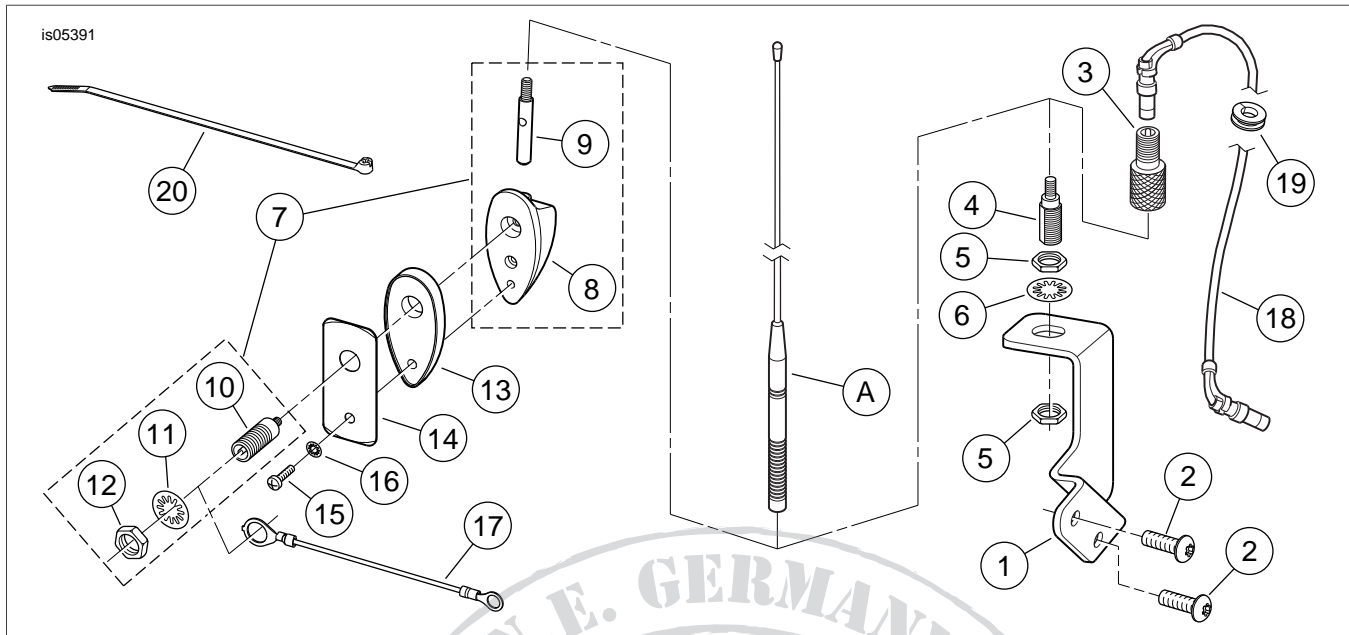


Figure 5. Service Parts, AM/FM Antenna Relocation Kit

Table 1. Service Parts Table

Item	Description (Quantity)	Part Number
1	Bracket, antenna mounting	76557-09
2	Screw, TORX® pan head, #10-24 (2)	2441
3	Adapter, antenna/cable	76219-00
4	Antenna base (joint)	76354-00
5	Hex nut, thin, 1/2-20 (2)	76353-00
6	Lock washer, internal tooth, 1/2 inch	7129
7	Antenna base assembly (includes items 8 through 12)	76252-86
8	• Base, antenna	Not sold separately
9	• Adapter, antenna	Not sold separately
10	• Plug assembly, antenna	76258-86
11	• Lock washer, internal tooth, 1/2 inch	7129
12	• Hex jam nut, 1/2-20	76259-86
13	Gasket, antenna base	76255-86
14	Reinforcement plate	76253-86
15	Machine screw, pan head, TORX	2576
16	Lock washer, internal tooth, #10	7118
17	Cable, AM/ FM antenna ground	70465-86A
18	Cable, AM/ FM antenna jumper	76229-00
19	Grommet	11486
20	Cable strap (10)	10006
Items mentioned in text, but not included in kit:		
A	Antenna mast assembly	