



INSTRUCTIONS

-J00921

REV. 6-27-97

Kit Number 76312-98

HAND-HELD CB MICROPHONE KIT

General

This microphone is designed for use on 1998 and later Ultra models.

See Service Parts illustration below for items contained in this kit.

Installation

1. See Service Parts illustration. Put hanger (3) in position on bracket (2) and install screws (4) and locknuts (1). Tighten locknuts securely.
2. Remove the two Torx screws and washers securing the two halves of the left handlebar switch housing to handlebar. Put bracket assembly in position over handlebar switch housing with spacers (6) under bracket, and install screws (5). Tighten screws to 10 ft-lbs (14 Nm).
3. Install 7 pin DIN plug in CB pod console and test that microphone is functioning properly.



Service Parts

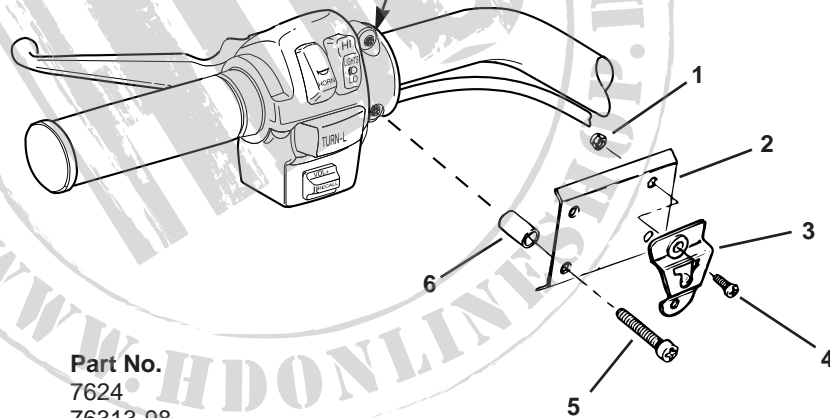
Part No. 76312-98

Date 6/97

Hand-held CB Microphone

sp76312

Remove 2 original Torx screws and washers



| Item | Description | Part No. |
|------|---|---------------------|
| 1 | Locknuts (2) | 7624 |
| 2 | Bracket | 76313-98 |
| 3 | Microphone hanger | 76201-80A |
| 4 | Screws (2) | 2664 |
| 5 | Screws (2), 1-3/4 in. long | 911 |
| 6 | Spacers | 5884 |
| 7 | Microphone and cord assembly (not shown) | not sold separately |