



INSTRUCTIONS

-J06180

2015-03-24

BURST COLLECTION SPEAKER GRILLE KIT

GENERAL

Kit Number

76000623

Models

For model fitment information, see the P&A retail catalog or the Parts and Accessories section of www.harley-davidson.com (English only).

Installation Requirements

▲ WARNING

The rider's safety depends upon the correct installation of this kit. Use the appropriate service manual procedures. If the procedure is not within your capabilities or you do not have the correct tools, have a Harley-Davidson dealer perform the installation. Improper installation of this kit could result in death or serious injury. (00333a)

NOTE

This instruction sheet refers to service manual information. A service manual for this year/model motorcycle is required for this installation. One is available from a Harley-Davidson dealer.

Kit Contents

See Figure 2 and Table 1.

PREPARATION

NOTE

For vehicles equipped with security siren: With security fob present, turn ignition switch ON.

▲ WARNING

To prevent accidental vehicle start-up, which could cause death or serious injury, remove main fuse before proceeding. (00251b)

See the service manual to remove the main fuse. Turn ignition switch OFF.

REMOVAL

1. Remove the outer fairing and windshield per the service manual.
2. See Figure 1. Remove the harness anchor (2) from each speaker enclosure (1). Retain all fasteners for installation.
3. Unplug the speaker connector (3) on **one** enclosure.
4. **Right side only:** Unplug the power outlet connector [C132B] (not shown). **Left side only, CB-equipped models:** Unplug the CB connector [184] (4) and CB antenna. See the service manual.
5. Remove the three screws (6) securing the lower portion of the enclosure to the fairing support bracket (5).
6. Remove two screws (8) securing the upper portion of the enclosure to the upper support bracket (7).

NOTE

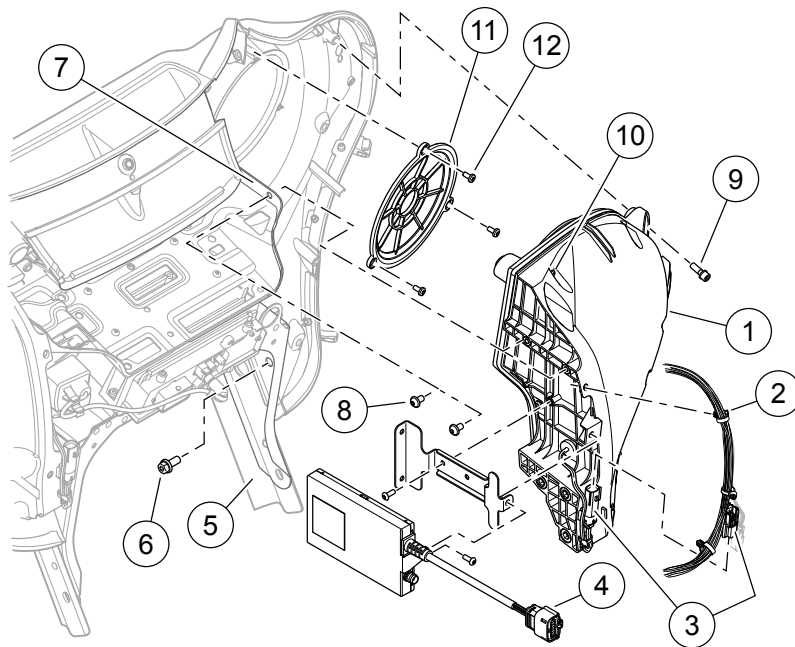
Do not remove any of the screws (10) securing the speaker enclosure halves together.

7. Remove three screws (9) securing the speaker enclosure to the inner fairing. Remove the speaker enclosure from the vehicle.
8. Remove the three screws (12) securing the speaker grille (11) to the inner fairing. Remove the speaker grille from the fairing.
9. Repeat steps 3-8 to remove the remaining speaker enclosure.

NOTE

Never operate the vehicle with the speaker enclosures removed. The enclosures provide important structural support to the fairing. Operating without the enclosures in place can result in damage to the fairing assembly.





- | | |
|--|--|
| 1. Speaker enclosure | 7. Upper support bracket |
| 2. Fairing harness anchor | 8. Screw, hex socket, 1/4-20 x 1/2 in (13 mm) long (2) |
| 3. Speaker connector | 9. Screw, hex socket, 1/4-20 x 3/4 in (19 mm) long (3) |
| 4. CB connector | 10. DO NOT remove these screws (13) |
| 5. Fairing support bracket | 11. Speaker grille |
| 6. Screw, hex head socket, 5/16-18 x 3/4 in (19 mm) long (3) | 12. Screw, TORX, #10 x 3/8 in (10 mm) long (3) |

Figure 1. Speaker Enclosure Removal (Left Side Shown)

INSTALLATION

NOTE

See Figure 2.

The mounting tab in line with spoke, mounts to the inboard side of the opening in the fairing.

1. Install a correct speaker grille from the kit into each side of the inner fairing. Secure with three TORX screws (Figure 1, Item 12) removed earlier. Tighten to 1–1.4 N·m (9–13 in-lbs).
2. Remove adhesive liner from emblem and assemble to grille. Verify proper orientation of the bar and shield before assembly.
3. Secure the lower portion of the enclosure to the fairing support bracket (5) with three hex head socket screws (6) removed earlier. Tighten to 27.1–32.5 N·m (20–24 ft-lbs).
4. Secure the enclosure to the upper support bracket with two hex socket screws (8). Tighten to 5.4–6.8 N·m (48–60 in-lbs).
5. Repeat steps 2-4 with the remaining enclosure.
6. Mate the speaker and power outlet connectors. Secure the harness anchors to the speaker enclosures.
7. **Left side only, CB-equipped models:** Plug in the CB connector [184] and CB antenna. See the service manual.

COMPLETION

NOTE

To prevent possible damage to the sound system, verify that the ignition is OFF **before** installing the main fuse.

1. See the service manual to install the main fuse.

NOTE

Before installing outer fairing, check that speakers are operating correctly. Understand that buzzing, squeaks and rattles may be heard until outer fairing is installed.

2. Turn the ignition ON, but do not start the motorcycle.
3. Refer to the PREMIUM SOUND SYSTEM section of the owner's manual and turn the radio ON. Make sure that all speakers are working and front/rear fader function is operating correctly. If not, check speaker wiring.
4. See the service manual to install the outer fairing and windshield.

▲ WARNING

After installing seat, pull upward on seat to be sure it is locked in position. While riding, a loose seat can shift causing loss of control, which could result in death or serious injury. (00070b)

5. See the service manual to install the seat.

IN USE

Avoid direct contact with speaker grilles by a pressure washer. Damage to speakers can result.

SERVICE PARTS

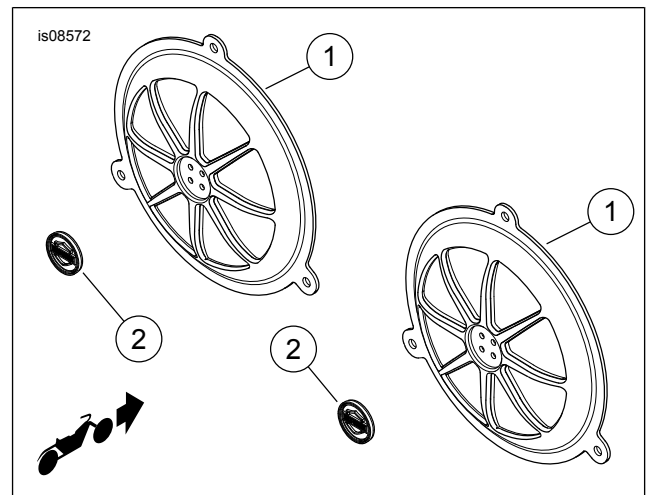


Figure 2. Service Parts, Burst Collection Speaker Grille Kit

Table 1. Service Parts

Item	Description (Quantity)	Part Number
1	Grille (2)	Not Sold Separately
2	Medallion (2)	14100423