



# INSTRUCTIONS

-J05932

2015-03-23

## BURST COLLECTION REAR SPEAKER TRIM KIT

### GENERAL

#### Kit Number

76000522, 76000621

#### Models

For model fitment information, see the P&A Retail Catalog or the Parts and Accessories section of [www.harley-davidson.com](http://www.harley-davidson.com) (English only).

#### Kit Contents

See Figure 1 and Table 1.

### INSTALLATION

1. Remove a Burst speaker trim from the kit.
2. Remove the four original screws from the left speaker grill. Discard the screws.
3. Position the speaker trim over the original speaker trim. Index the trim to orient the medallion as desired.
4. Secure the trim with four screws from the kit. Tighten the screws to 0.8–1 N·m (7–9 in-lbs).
5. Repeat steps for the right side.

### SERVICE PARTS

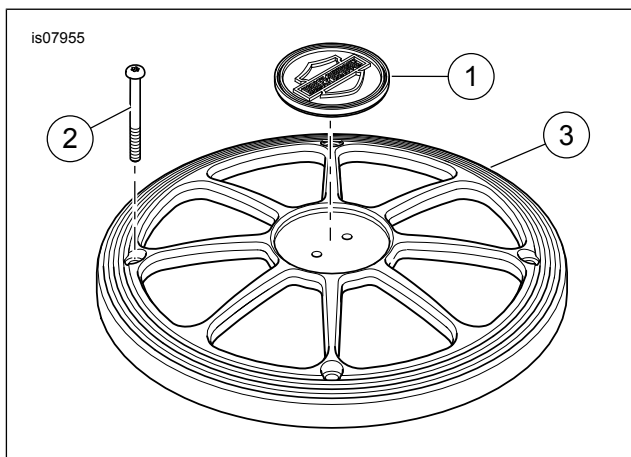


Figure 1. Service Parts: Burst Collection Rear Speaker Trim Kit

Table 1. Service Parts

Item	Description (Quantity)	Part Number
1	Medallion, 1.6 in. Burst Collection	14100424
2	Screw, 6-32 x 1.5 in. (4)	10200328
3	Rear Speaker Burst Collection Trim	Not Sold Separately

-J05932



Many Harley-Davidson® Parts & Accessories are made of plastics and metals which can be recycled. Please dispose of materials responsibly.

1 / 1