



INSTRUCTIONS

-J05991

2014-09-26

ROAD TECH ZUMO 590 GLOBAL POSITIONING SYSTEM (GPS) KIT

GENERAL

Kit Number

76000573, 76000574

Models

For model fitment information, see the P&A retail catalog or the Parts and Accessories section of www.harley-davidson.com (English only).

Installation Requirements

Separate purchase and installation of a mounting kit may be required for proper installation of this kit on your model motorcycle. The included automotive mount **IS NOT designed for use on a motorcycle windshield.**

See the P&A retail catalog or the Parts and Accessories section of www.harley-davidson.com (English only) for the available mounting kit for your model. No additional parts are required for automotive installation.

Electrical Overload

NOTICE

It is possible to overload your vehicle's charging system by adding too many electrical accessories. If the combined electrical accessories operating at any one time consume more electrical current than the vehicle's charging system can produce, the electrical consumption can discharge the battery and cause damage to the vehicle's electrical system. See an authorized Harley-Davidson dealer for advice about the amount of current consumed by additional electrical accessories or for necessary wiring changes. (00211c)

▲ WARNING

When installing any electrical accessory, be certain not to exceed the maximum amperage rating of the fuse or circuit breaker protecting the affected circuit being modified. Exceeding the maximum amperage can lead to electrical failures, which could result in death or serious injury. (00310a)

The Road Tech Zumo requires up to **3.0A** extra current from the electrical system.

Kit Contents

See Figure 1 and Table 1.

MOTORCYCLE INSTALLATION

Install the mounting kit to the motorcycle per the instructions in **THAT** kit.

See Figure 1. The cradle mount (2) needed for installation to the motorcycle is found in **THIS** kit.

Inserting the Zumo Unit into the Motorcycle Cradle Mount

1. Obtain the Road Tech Zumo unit (1) from **THIS** kit.
2. Before using the Road Tech Zumo unit for the first time:
 - a. Obtain the lithium-ion battery from the product box.
 - b. Slide the release key on the back of the Zumo until the battery cover pops up.
 - c. Note the metal contacts on the end of the lithium-ion battery. Insert the battery into the battery compartment. Connect so the contacts on the battery align with the metal contacts inside the compartment.
 - d. Install the battery cover. Secure with latch.
3. Snap the Road Tech Zumo unit into the cradle mount.
4. To remove the unit from the cradle push the button (B) on the side of the cradle and tilt the unit forward.
5. Install the weather cap (3) whenever the Road Tech Zumo unit is not in the cradle mount.

AUTOMOTIVE INSTALLATION

NOTE

Some local governments prohibit or restrict the use of suction mounts on the windshield or windows of a motor vehicle. Check with local authorities and obey all applicable laws and regulations.

Other Garmin dashboard or friction mounting options are available. Contact Garmin International, Inc. 1200 E. 151st Street, Olathe, KS 66062 USA or e-mail "harley-davidson@garmin.com".

Verify that the installed mount does not block the vehicle operator's view of driving conditions.

Verify the Zumo has a clear view of the sky and not shielded by metal objects.

Verify that the cable path does not interfere with the operation of vehicle controls and safety equipment.

Do not mount over airbag panels or in front of an airbag field of deployment.

Installing the Cradle Mount to a Vehicle Windshield

1. See Figure 1. Thoroughly clean the inside surface of the windshield. Thoroughly clean the suction cup (C). Allow both to air dry before installing the suction mount.

NOTE

*Verify the suction cam lever (D) is rotated **away** from the suction cup. Verify that the power cable (6) can reach the desired 12/24 Volt DC power receptacle in the vehicle.*

-J05991

Many Harley-Davidson® Parts & Accessories are made of plastics and metals which can be recycled. Please dispose of materials responsibly.

1 / 3

- Place the cradle mount (5) in the desired location on the windshield. Hold the suction cup against the glass. Push the cam lever (D) **toward** the suction cup so that the suction mount is gripped firmly against the windshield. Apply gentle pressure to the suction mount to verify the grip is secure.
- Adjust the vertical and horizontal angle of the bracket. Position the Zumo unit, by rotating the cradle (E) at the ball-and-socket joint, for ease of viewing by the vehicle operator or passenger as desired. Friction holds the unit in position. Double-check the suction mount has a firm hold on the windshield.
- To remove the suction mount from the windshield, rotate the cam lever **away** from the suction cup to release the suction cup grip. If necessary, pull the tab (F) on the bottom of the suction cup away from the windshield to help release the grip.

- Snap the Road Tech Zumo unit into the cradle mount.
- To remove the unit from the cradle push the button (B) on the side of the cradle and tilt the unit forward.

Connecting the Adapter to the Vehicle Power Source

The Zumo's suction mount bracket includes a power cable (6) with a 12/24V DC adapter. This becomes the Zumo's power source when mounted in a motor vehicle.

- Plug the adapter into an available 12/24V DC power receptacle (power port) in the vehicle. Use care when routing the cable to verify that it does not interfere with vehicle operation in any way.

ROAD TECH ZUMO UNIT OPERATION

NOTE

Do not use solvent-based chemicals or waxes directly on the plastic or rubber components. These products can affect the overall performance and appearance of the plastic and rubber.

Refer to the instructions that came with the Road Tech Zumo.

Inserting the Zumo Unit into the Automotive Cradle Mount

- See Figure 1. Obtain the Road Tech Zumo unit (1) from the kit. Install the battery if necessary (see **Motorcycle Installation**).

SERVICE PARTS

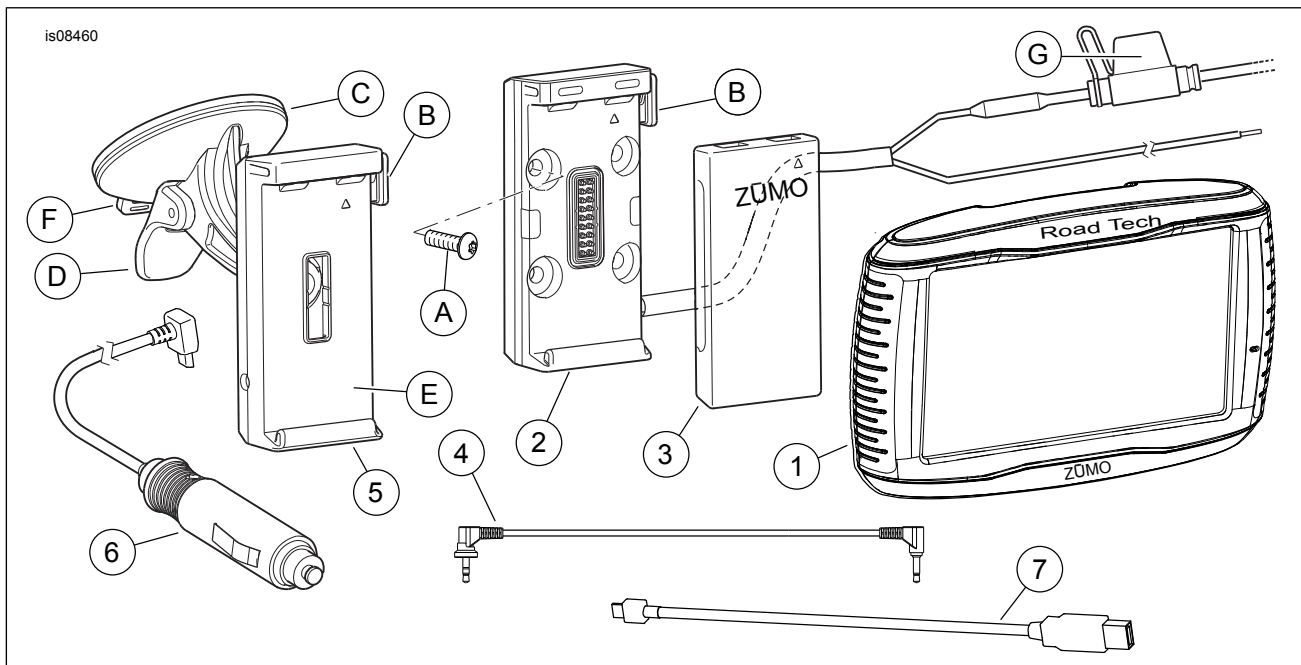


Figure 1. Service Parts, Road Tech Zumo 590 GPS Kit

SERVICE PARTS

Table 1. Service Parts

Item	Description (Quantity)	Part Number
1	Road Tech Zumo 590 unit (includes lithium-ion battery, not shown)	Not sold separately
2	Cradle, Zumo 590 GPS	76000575
3	Weather cap	**See Note
4	Audio cable	92389-08
5	Automotive suction cradle mount	**See Note
6	Power cable with 12/24V DC adapter	**See Note
7	PCB/USB cable	**See Note
8	User's manual, Road Tech Zumo (not shown)	**See Note
Reference items mentioned in text:		
A	Screw (4)	
B	Release button	
C	Suction cup	
D	Suction cam lever	
E	Cradle mount	

Table 1. Service Parts

Item	Description (Quantity)	Part Number
F	Tab	
G	3A fuse, mini blade style	
** Note: see garmin.com or call 1-800-408-7419		