



INSTRUCTIONS

-J05809

2014-01-16

ANTENNA RELOCATION KITS

GENERAL

Kit Numbers

76000308, 76000582

Models

For model fitment information, see the P&A retail catalog or the Parts and Accessories section of www.harley-davidson.com (English only).

Kit Contents

See Figure 1 and Table 1.

PREPARATION

▲ WARNING

To prevent accidental vehicle start-up, which could cause death or serious injury, remove main fuse before proceeding. (00251b)

NOTE

- **WITH security siren:** With security fob present, turn ignition switch ON. After system is disarmed, turn ignition switch OFF. **IMMEDIATELY** remove the main fuse per the owner's manual.
- **WITHOUT security siren:** See the owner's manual to remove the main fuse.

INSTALLATION

1. See the owner's manual to remove the left or right side saddlebag as needed.
2. **Models WITHOUT Tour-Pak, WITHOUT previously installed radio:** Proceed to Step 3. **Models WITH Tour-Pak, WITHOUT previously installed radio:** Proceed to Step 3. **Models WITH Tour-Pak AND previously installed radio:**
 - a. Open the Tour-Pak. Remove Tour-Pak liner.
 - b. At the front inside the Tour-Pak, disconnect the antenna extension cable from the main harness antenna cable.
 - c. Pull the main harness cable out of the Tour-Pak.
 - d. Unscrew the antenna mast from the antenna base. Set the mast aside for later installation.
3. **ALL models:** See Figure 1. Remove the inboard TORX head screw (C) and nut (D) fastening the lower saddlebag support bar (B) to the rear fender support bracket (A). Discard the screw.

4. Obtain the **new** antenna mounting bracket (1) and button head screw (2) from the kit.
5. Position the antenna bracket as shown to the rearward side of the lower saddlebag support bar (B).
6. From the rear, insert the screw (2) threads through the antenna bracket, saddlebag support bar and rear fender support bracket.
7. Thread the flange nut onto the screw threads. Tighten to 40.7–50.1 N·m (30–37 ft-lbs).
8. Obtain the antenna mast base (joint assembly, Item 6), internal tooth lockwasher (3) and two thin hex nuts (4) from the kit.
9. Install the antenna mast base onto the 90 degree end of the antenna cable assembly (5). Install one nut onto the larger threads (E) of the antenna mast base.
10. Insert the antenna mast base through the hole in the antenna mounting bracket.
11. Place the lockwasher onto the larger threads (E).
12. Install the second hex nut (4) onto the threads of the antenna mast base. Place a wrench on the upper nut. Tighten the lower nut to 8 N·m (6 ft-lbs).

NOTE

Proper antenna cable routing is:

- rearward to the front docking point bracket,
- along the inside of the docking point bracket,
- down the saddlebag support bar,
- over to the underside of the new antenna bracket.

Correct the routing if different.

13. **Models WITH previously installed radio:** Locate the main harness antenna cable disconnected in Step 2b. **Models WITHOUT previously installed radio:** Locate the coiled or bundled excess antenna cable attached to the frame member (under the left side cover) with a cable strap. Remove the cable straps retaining the antenna cable to the rear. Feed the excess cable rearward as necessary to reach the antenna cable from the kit easily. Provide sufficient slack at the antenna mast base to avoid kinking or binding at the connection.
14. Plug the antenna cable connector into the antenna cable from the kit. Tighten the knurled nut to secure the connector to the antenna base. Allow slack in the cable at the antenna base to avoid kinking or binding at the connection.

-J05809



Many Harley-Davidson® Parts & Accessories are made of plastics and metals which can be recycled. Please dispose of materials responsibly.

1 / 3

15. Fasten the antenna cable (H) to the saddlebag support bar (C) with a cable strap (7) from the kit. Use a second cable strap to tie the antenna cable (**and excess rear fascia lamp wires on FLHX models**) to the frame rail, near the suspension air lines, underneath the chrome cover. **DO NOT** tie the cable to the air lines. Use the remaining cable strap to tie the antenna cable to one of the original antenna bracket mounting holes (J) as shown.

16. Thread the antenna mast assembly (G) securely onto the antenna base (D).

1. See the owner's manual to install the main fuse.
2. Test the radio for proper operation.
3. Install left side cover. Install saddlebag.

STANDING WAVE RATIO (SWR) ADJUSTMENT (CB ONLY)

Standing wave ratio (SWR) is a procedure that verifies how well the CB transmitter and antenna are matched. If poor CB reception or transmission is detected, perform the SWR adjustment.

The SWR adjustment procedure is in the electrical diagnostic manual. A Harley-Davidson dealer can also perform the procedure.

COMPLETION

NOTE

To prevent possible damage to the sound system, verify that the ignition is **OFF** before installing the main fuse.

SERVICE PARTS

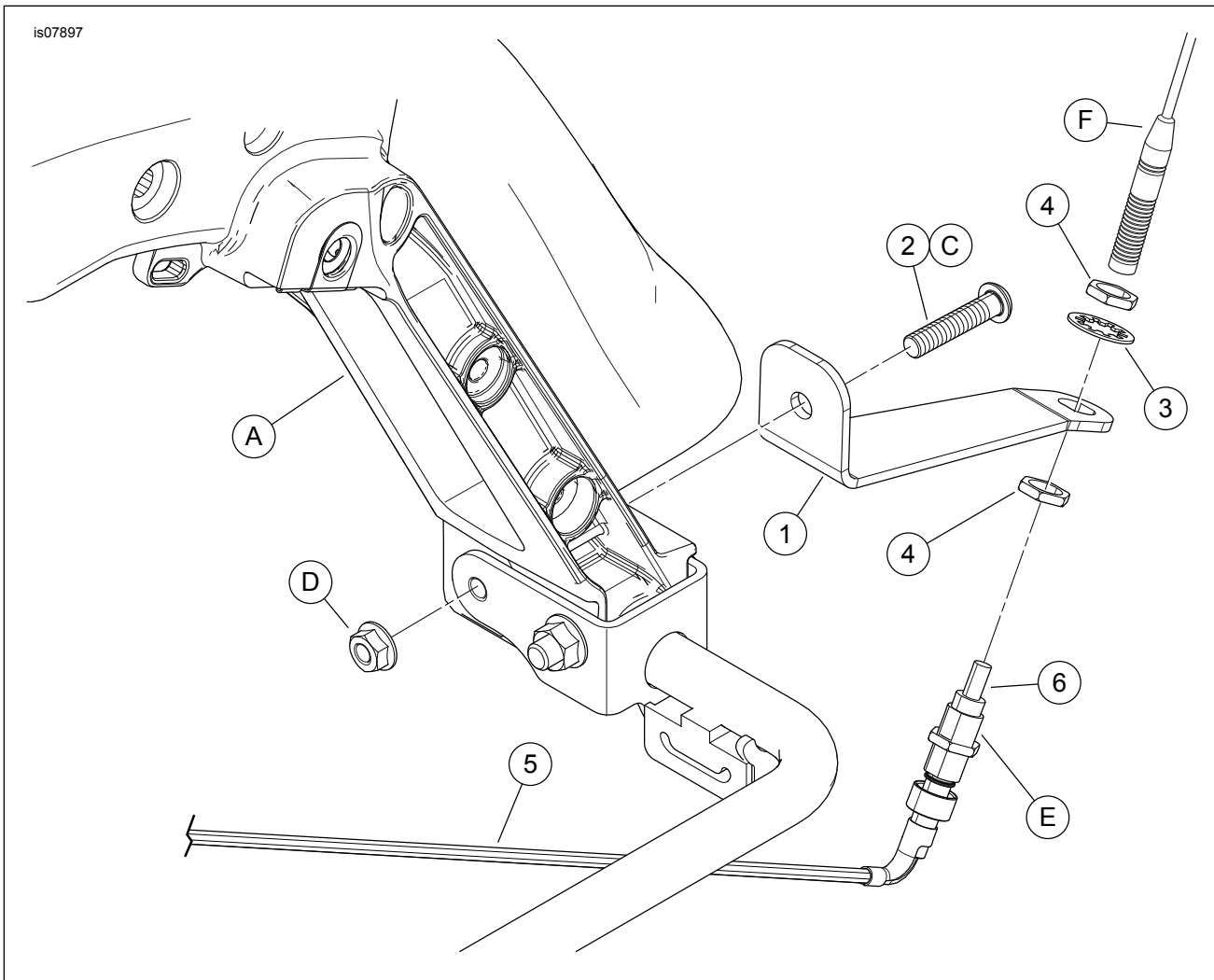


Figure 1. Service Parts, Antenna Relocation Kit

Table 1. Service Parts

Item	Description (Quantity)	Part Number
1	Bracket, antenna mounting	76000309
2	Screw, hex socket button head (5/16-18 x 38 mm (1.5 in) long)	3140
3	Lockwasher, internal tooth	7129
4	Hex nut (2)	76353-00
5	Cable assembly, AM-FM antenna (shown. For Kit 76000582) Cable assembly, CB antenna (not shown. For Kit 76000308)	69200210 76505-09
6	Antenna mast base (joint assembly)	76354-00
Items mentioned in text, but not included in kit:		
A	Rear fender support bracket	

Table 1. Service Parts

Item	Description (Quantity)	Part Number
B	Lower saddlebag support bar	
C	Inboard TORX head screw	
D	Original equipment (OE) nut	
E	Larger threads (E) of antenna mast base	
F	Antenna mast assembly	