



# INSTRUCTIONS

-J05328

REV. 2011-01-08

## FXS WINDSHIELD-MOUNTED SPEAKER BRACKET KIT

### GENERAL

#### Kit Number

76000155

#### Models

For model fitment information, see the P&A retail catalog or the Parts and Accessories section of [www.harley-davidson.com](http://www.harley-davidson.com) (English only).

#### Additional Parts Required

Proper installation of this kit requires the separate purchase and installation of a Harley-Davidson® windshield kit, Windshield-Mounted Speaker and Amplifier Kit (Part No. 76321-09), Horn Relocation Bracket Kit (Part No. 69015-08) and Electrical Connection Kit (Part No. 72673-11).

Connection to an audio device (MP3 player or similar device, purchased separately) with a 1/8-inch (3.5 mm) stereo output (headphone jack or audio line out) is required.

#### NOTES

A Boom! Audio Tank Pouch (Part No. 91003-10) can be used to secure a **solid-state** audio device.

**DO NOT** secure an MP3 player or similar device with a **hard drive memory** on or to the vehicle.

#### Kit Contents

This kit contains a speaker bracket and two flat washers.

There are no service parts available with this kit.

### INSTALLATION

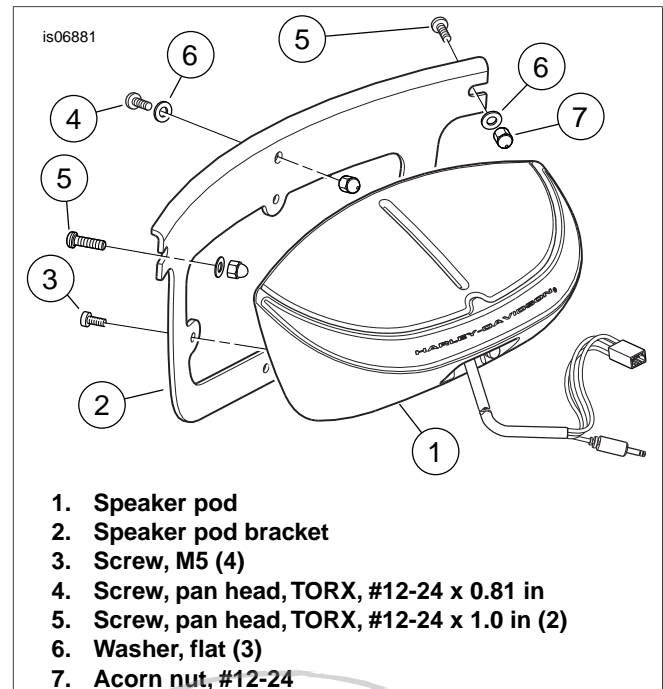
This kit is designed to allow the installation of the Windshield-Mounted Speaker and Amplifier Kit (Part No. 76321-09) on Softail® FXS model motorcycles. Proper installation requires the following:

- Replace the speaker bracket installed on the speaker pod in the Windshield-Mounted Speaker and Amplifier Kit with the speaker bracket included in **this** kit. Do this before performing any part of the speaker and amplifier kit installation.
- Relocate the horn according to the instructions in the Horn Relocation Kit (Part No. 69015-08).
- Install the two flat washers included in **this** kit when installing the amplifier and amplifier bracket.

Read the instructions below, then follow the Softail installation instructions included in the Windshield-Mounted Speaker and Amplifier Kit (Part No. 76321-09), performing the instructions for **this** kit when necessary.

### Replace Speaker Bracket

1. See Figure 1. Remove four screws (3) and the installed speaker bracket (2) from the speaker pod (1). Save the screws and discard the speaker bracket.
2. Install the speaker bracket from **this** kit and the four screws removed in the previous step to the speaker pod.



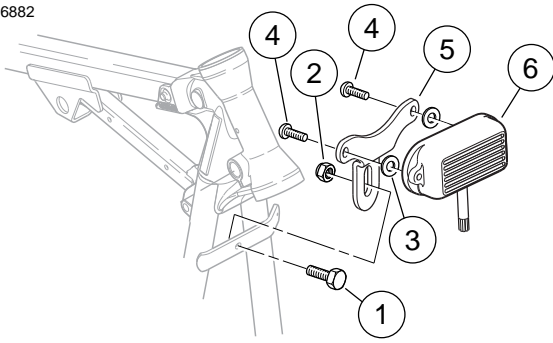
1. Speaker pod
2. Speaker pod bracket
3. Screw, M5 (4)
4. Screw, pan head, TORX, #12-24 x 0.81 in
5. Screw, pan head, TORX, #12-24 x 1.0 in (2)
6. Washer, flat (3)
7. Acorn nut, #12-24

Figure 1. Install Speaker Bracket

### Amplifier and Amplifier Bracket Installation

1. Remove the horn and relocate it according to the instructions included in the horn relocation kit (Part No. 69015-08).
2. Install the amplifier and amplifier bracket from the Windshield-Mounted Speaker and Amplifier Kit (Part No. 76321-09) according to the instructions included in **that** kit for Softail models, with the following exception:  
See Figure 2. Install the two flat washers (3) included in **this** kit as shown.

is06882



1. Hex screw, 5/16-18 x 0.75 in
2. Locknut, hex, 5/16-18 in
3. Washer, flat (2)
4. Screw, button head, TORX, 1/4-20 x 0.62 in (2)
5. Amplifier mounting bracket (Softail)
6. Amplifier

Figure 2. Install Amplifier and Bracket

