



INSTRUCTIONS

-J02744

REV. 2005-11-04

THERMOMETER/ CLOCK, HAND LEVER BRACKET CLAMP MOUNT

GENERAL

Kit Numbers

- Kit 75041-03 has a black face clock.
- Kit 75042-03 has a silver face clock.
- Kit 75102-04 has a black face Fahrenheit thermometer.
- Kit 75104-04 has a silver face Fahrenheit thermometer.
- Kit 75108-06 has a black face Celsius thermometer.
- Kit 75115-06 has a silver face Celsius thermometer.

Models

These kits fit all models. They are not compatible with Auxiliary Switch Housings 70213-02, 70248-02, 70255-02 or 70256-02.

Kit Contents

Table 1. Kit Contents

Description (Quantity)	Part Number
Clock or Thermometer	Not Sold Separately
Bracket	69144-03
Set screw, socket head	4283M

INSTALLATION

NOTE

The figures show the gauge mounted to the clutch (left-hand) lever clamp. The gauge can be mounted on either the clutch or brake lever side, using the upper or lower clamp mounting screw per customer preference.

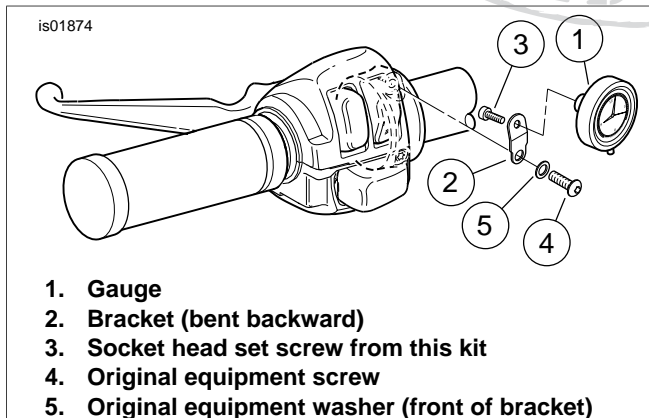


Figure 1. Gauge Bracket Mounted to Upper Screw (Left-Hand Shown)

- See Figure 1 and Figure 2. Using a T27 TORX drive head, remove the desired screw (upper or lower) with flat washer securing the handlebar clamp to the hand lever bracket.

NOTE

When mounting the gauge bracket to the lower clamp mounting screw, install the original flat washer behind the bracket.

- Install the handlebar clamp screw with flat washer through the larger hole in the gauge bracket, and tighten to 60-80 in-lbs (6,8-9,0 Nm).
- Rotate the gauge to the desired angle, then tighten the gauge attaching screw securely.

SETTING THE TIME ON THE CLOCK

NOTE

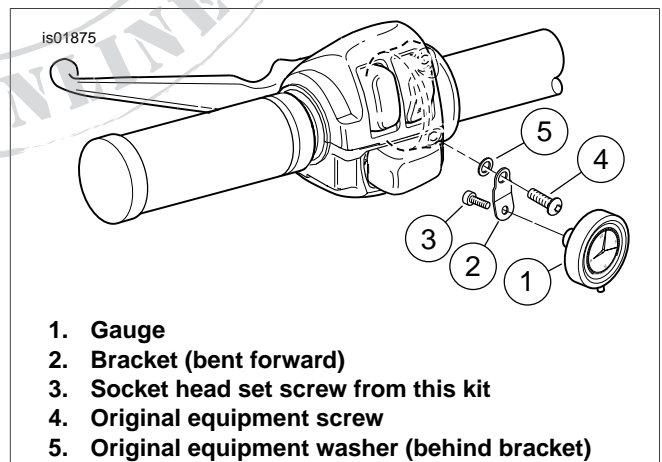
The clock is shipped with the stem pulled out, which stops clock operation.

If the stem has been pushed in, pull out the stem carefully, and turn it until the hands indicate the correct time. Carefully push the stem back in to start the clock.

REPLACING THE CLOCK BATTERY

The clock battery (Type SR626SW) is a common type, available wherever watch batteries are sold. It is recommended that the battery be replaced at a watch repair facility, as the screw back cover requires a special tool for removal and replacement.

The clock is waterproof, and requires special attention when re-assembled.



- Gauge
- Bracket (bent forward)
- Socket head set screw from this kit
- Original equipment screw
- Original equipment washer (behind bracket)

Figure 2. Gauge Bracket Mounted to Lower Screw (Left-Hand Shown)