



# INSTRUCTIONS

-J03594

REV. 2005-01-03

## DYNA VOLTAGE REGULATOR KIT

### GENERAL

#### Kit Number

74665-04, 74667-06

#### Models

**Kit 74665-04** fits 2004 through 2005 FXDL/I (Dyna™ Low Rider®) and FXDWG/I (Dyna™ Wide Glide®) model motorcycles.

**Kit 74667-06** fits 2006 and later Dyna™ model motorcycles.

#### Kit Contents

See Figure 1 and Table 1.

### INSTALLATION

1. Remove and discard the original voltage regulator mounting screws.
2. See Figure 1. Place a chrome washer (4) onto each of the button head screws (5) from the kit. Insert the screws into the mounting holes in the **new** voltage regulator cover (1). Place first a spacer (2), then a Nylon washer (3) over the screw threads on the inside of the cover.
3. Fasten the cover through the voltage regulator into the motorcycle frame. Tighten to 60-80 **in-lbs** (6.8-9.0 Nm).

### SERVICE PARTS

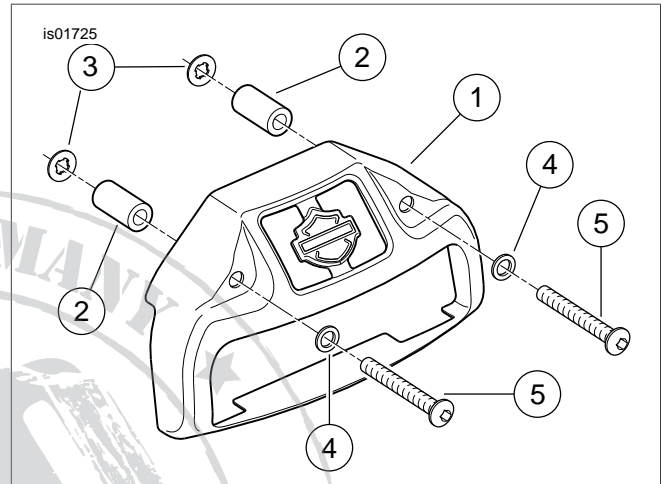


Figure 1. Voltage Regulator Cover Components

Table 1. Service Parts: Voltage Regulator Cover Components

Item	Description (Quantity)	Part Number
1	Regulator cover	Not Sold Separately
2	Spacer, 1.0 inch (25 mm) long (2)	Not Sold Separately
3	Washer, Nylon (2)	62917-01
4	Washer, Chrome (2)	Not Sold Separately
5	Screw, button head, hex socket 1/4-20 x 2-1/4 inch long (2)	Not Sold Separately