



# INSTRUCTIONS

-J03724

REV. 2005-03-04

## SPEEDOMETER/TACHOMETER CHROME TRIM RING

### GENERAL

#### Kit Number

74661-04 and 74662-04

#### Models

**Kit 74661-04** fits 1999 and later Softail (except FXSTD), FXDWG, and FLHR models with 4-5/8 inch gauge.

**Kit 74662-04** fits 1999 and later XL and Dyna models (except FXDWG models) with 3-3/4 inch gauge.

#### Kit Contents

This kit includes the chrome trim ring with the adhesive tape already installed. There are no Service Parts available.

### INSTALLATION

#### NOTE

*Clean and dry surface of gauge with rubbing alcohol to ensure part is free of grease and debris.*

1. See Figure 1. Before peeling off adhesive back, run and test fit by placing chrome trim ring (1) onto gauge (2).
2. Peel off adhesive backing from chrome trim ring (1).
3. Place chrome trim ring (1) on gauge (2) and press firmly into position.

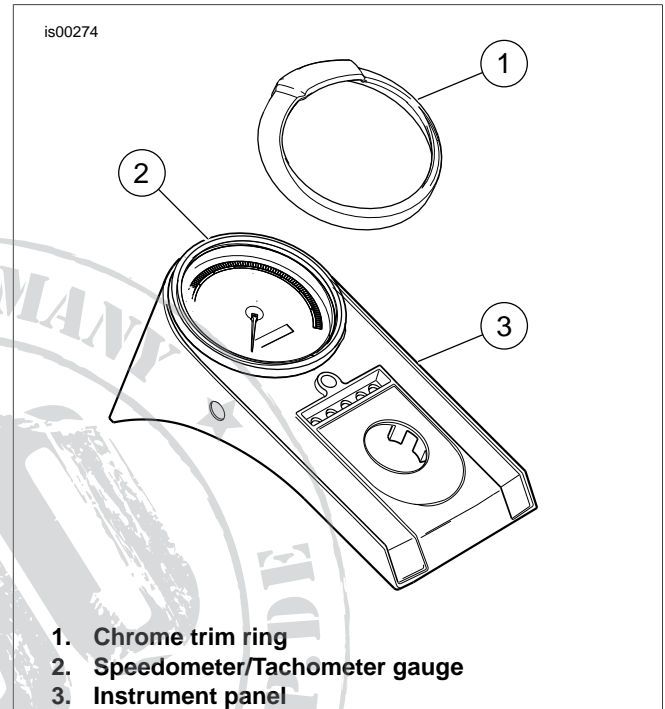


Figure 1. Installing Chrome Trim Ring (Softail model shown)