



INSTRUCTIONS

-J03538

REV. 2005-02-07

TWO-INCH SPEEDOMETER/TACHOMETER GAUGE HOUSING KIT

GENERAL

Kit Number

74656-05

74658-05

NOTE

This gauge housing is used with Harley-Davidson Genuine Motor Accessories two-inch gauge kit(s) (sold separately) and a gauge bracket (sold separately).

Models

This kit fits:

- 2004 and later XL
- 2004 and later FXD, FXDX
- 2005 and later FXDC

Kit Contents

See Figure 1 and Table 1.

WARNING

The rider's safety depends upon the correct installation of this kit. Use the appropriate service manual procedures. If the procedure is not within your capabilities or you do not have the correct tools, have a Harley-Davidson dealer perform the installation. Improper installation of this kit could result in death or serious injury. (00333a)

NOTE

This instruction sheet references Service Manual information. A Service Manual for your model motorcycle is required for this installation and is available from a Harley-Davidson Dealer.

INSTALLATION

1. Follow the instructions in the gauge bracket kit to install the gauge bracket.
2. Follow Service Manual instructions and those in the two-inch gauge kit(s) to install the isolation gasket(s) and the gauge(s).
3. See Figure 1. Thread the standoffs into the back of the gauge(s) and hand tighten.
4. Follow the gauge kit instructions to thread the socket connector through the opening in the housing.

5. **For the speedometer housing:** Unthread and remove the protective boot from the odometer reset switch. From the inside, install the switch through the hole in the back of the housing. Thread on the boot and tighten until snug.
6. Connect the socket connector to the pin connector on the gauge.
7. Fit the gauge housing to the isolation gasket of the gauge and secure the housing with the buttonhead screws. Tighten the buttonhead screws to snug the housing up against the isolation gasket.

NOTE

Overtightening may damage the housing or the gauge.

8. Inspect the circumference of the housing lip to be sure it seals at the isolation gasket.

SERVICE PARTS

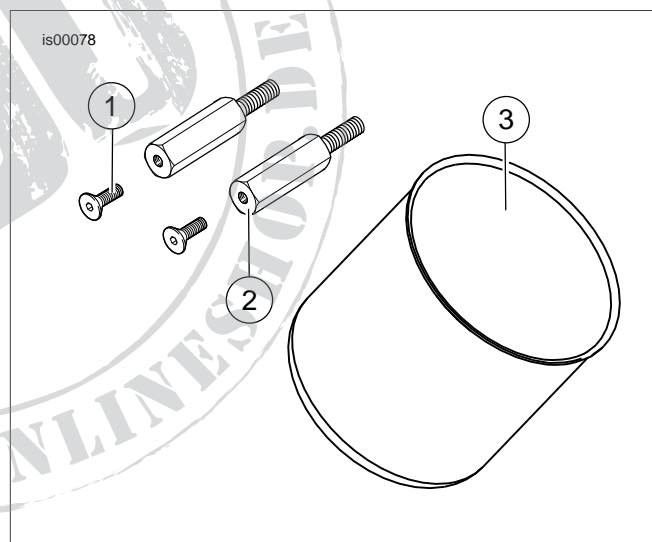


Figure 1. Service Parts: Two Inch Gauge Housing Kit (-J03528)

Table 1. Service Parts

Item	Description (Quantity)	Part Number
1	Buttonhead screw	3656
2	Standoff	72346-04
3	Gauge housing	Not sold separately